



Pole Stand Zoom Stereo Optical Microscope No Light 0.7x~4.5x Zoom Lens

Our Product Introduction

for more products please visit us on cnoec.com

Basic Information

- Place of Origin: China
- Brand Name: CNOEC, OPTO-EDU
- Certification: CE, Rohs
- Model Number: A23.0908-B4
- Minimum Order Quantity: 1 pc
- Price: FOB \$1~1000, Depend on Order Quantity
- Packaging Details: Carton Packing, For Export Transportation
- Delivery Time: 5~20 Days
- Payment Terms: T/T, West Union, Paypal
- Supply Ability: 5000 pcs/ Month



Product Specification

- Magnification: Zoom Lens 0.7x~4.5x
- Stand: Pole Stand
- Light Source: No Light
- Camera Adapter: 0.35X/0.5X/0.65X/1X C-mount Adapter
- Packing: Inner Foam Packing, Then In Carton Box
- Others: Precision Measuring Stage, Gem Clip
- Highlight: **stereo zoom microscopes,
stereo dissecting microscope**



More Images

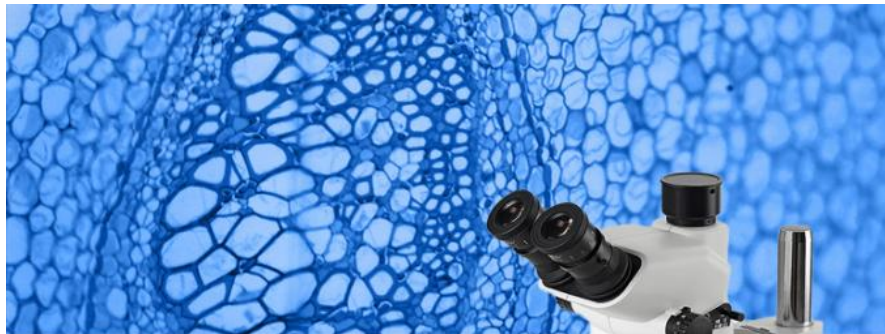


Product Description




A23.0908-B4 0.67~4.5x Pole Stand No Light W.D.100mm Focus Range 50mm Zoom Stereo Optical Microscope

Adopting Greenough optical system, A23.0908 with compact structure is sleek and sporty. New designed optical path and click stop function, make it more precision and practical for inspection of electronic components and PC board in industrial field, also available for scientific research, education and antiques identification etc.

Head	45° inclined binocular head, zoom objective 0.67-4.5X, working distance 110mm inter-pupillary distance 52-76mm, fixed eye-tube, the maximum times, the minimum times and main magnifications can be locked.
	45° inclined trinocular head, zoom objective 0.67-4.5X, working distance 110mm inter-pupillary distance 52-76mm, fixed eye-tube, the maximum times, the minimum times and main magnifications can be locked.
Eyepiece	High-eyepoint wide field plan eyepiece PL10X/22mm, diopter adjustable
	High-eyepoint wide field plan eyepiece PL15X/16mm, diopter adjustable
	High-eyepoint wide field plan eyepiece PL20X/12.5mm, diopter adjustable
Auxiliary Objective	0.5X/177mm, 0.7X/120mm, 1.5X/47mm
Bracket	ST70A1, focus range 50mm
Base	BL3 LED with reflected/transmitted light (R: 15 bulbs LED, T: 75 bulbs LED), pillar stand (use with ST70A1 bracket).
	B4 Fan style flat base with pillar (use with ST70A1 bracket)
	B5 pillar style big plan base (use with ST70A1 bracket), black painting.
	SZST2 pillar style big plan base (use with ST70A1 bracket), white painting.
	SZSTL1 single pillar boom stand (use with ST70A1 bracket)
	SZSTL2 double pillar boom stand (use with ST70A1 bracket)
	B6 fan style flat base with arm stand and fixed focus holder.
BL1 LED with reflected/transmitted light (R: 15 bulbs LED, T: 75 bulbs LED), arm stand and fixed focus holder.	
Camera Adapter	0.35X/0.5X/0.65X/1X C-mount adapter
Packing	Inner foam packing, then in carton box
Others	Precision measuring stage, gem clip



ZOOM STEREO MICROSCOPE

-  0.67x~4.5x Zoom Magnification, Zoom Ratio 1:6.7
-  Zoom hand wheel with click stop and Magnification Lock
-  Excellent Greenough Optical System Ensure Super Flatness and Depth of Field



A23.0908 Zoom Stereo Microscope + B4

A23.0908 Zoom Stereo Microscope + BL3

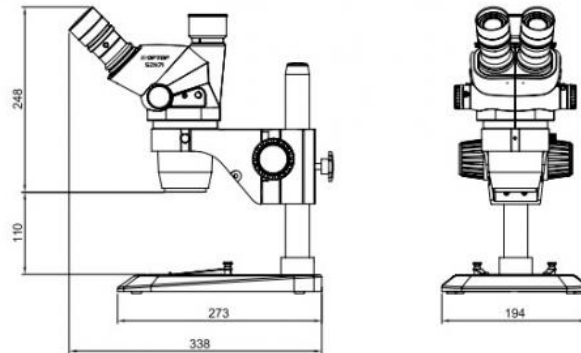




▲ A23.0908 Zoom Stereo Microscope + BL3

A23.0908 Zoom Stereo Microscope + B4

Size:



▲ A23.0908 Zoom Stereo Microscope + B4

Accessories:

Optional Light Source



Base



B4 small plan base with pillar stand



B5 big plan base with pillar stand



B6 big plan base with arm stand and fixed focus holder





SZSTL1 single pillar boom stand



SZST2 big plan base with pillar stand



BL1 arm stand base with fixed focus holder and LED illumination



BL3 pillar stand base with LED illumination



SZSTL2 double pillar boom stand

Focus holder



SZA1 focus holder



ST70A1 focus holder with upper light holder

PRODUCT DETAILS



01 HEAD

Binocular & Trinocular Head Available, With WF10x/22mm Diopter Adjustable Eyepieces

02 ZOOM WHEEL

Zoom Wheel 0.67x~4.5x, With Click Stop and Magnification Lock



03 FOCUSING KNOB

Coarse Focusing Knob, Tension Adjustable, For Quick and Easy Focusing



Opto-Edu (Beijing) Co., Ltd.

☎ 0086 13911110627

✉ sale@optoedu.com

🌐 cnoec.com

F-1501 Wanda Plaza, No. 18 Shijingshan Road, Beijing 100043, China