



WF10x / 22mm Trinocular Inverted Biological Microscope A14.2603 Large Diameter Quintuple

Our Product Introduction

Basic Information

- Place of Origin: China
- Brand Name: CNOEC, OPTO-EDU
- Certification: CE, Rohs
- Model Number: A14.2603
- Minimum Order Quantity: 1 pc
- Price: FOB \$1~1000, Depend on Order Quantity
- Packaging Details: Carton Packing, For Export Transportation
- Delivery Time: 5~20 Days
- Payment Terms: T/T, West Union, Paypal
- Supply Ability: 5000 pcs/ Month



Product Specification

- Head: Seidentopf Trinocular Head, Inclined 45°, Interpupillary Distance 48~76mm
- Eyepiece: WF10x/22mm, Diopter Adjustable
- Nosepiece: Large Diameter Quintuple
- Phase Contrast: Phase Contrast Annular Plate For 20x/40x
- Filter: Blue, Green
- Light Source: Transmit Light, Halogen 6V30W, Koehler Illumination
- Highlight: **inverted biological microscope,**
inverted fluorescence microscope



More Images



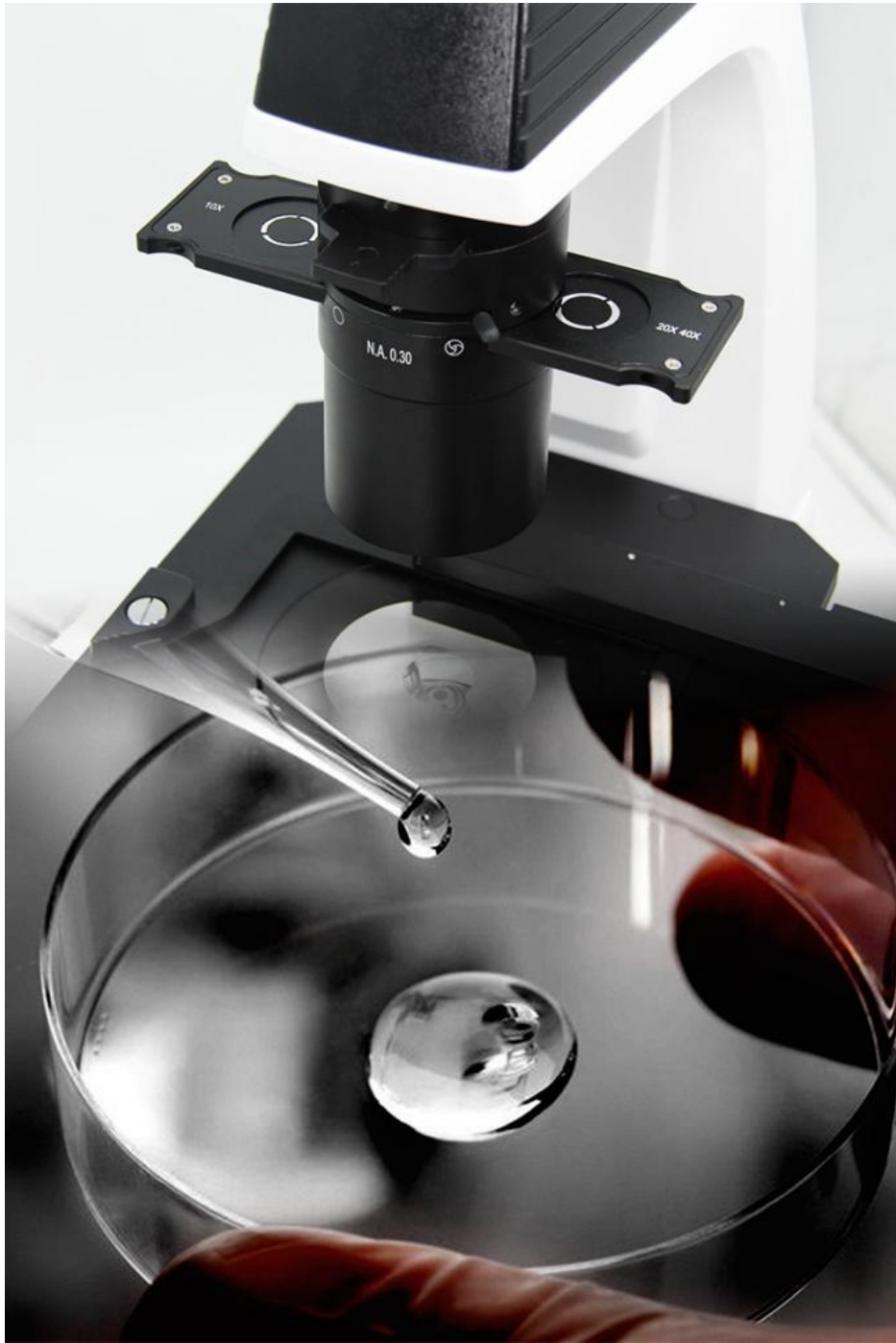
for more products please visit us on cnoec.com



A14.2603

Inverted Microscope, Transmit Light

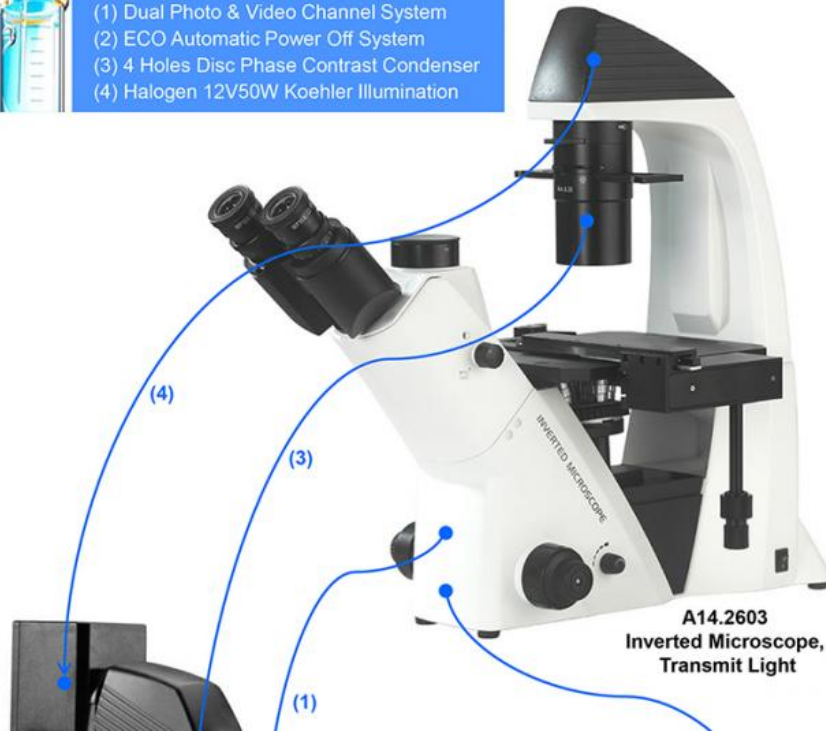




A14.2603 Upgraded To A14.2605



- (1) Dual Photo & Video Channel System
- (2) ECO Automatic Power Off System
- (3) 4 Holes Disc Phase Contrast Condenser
- (4) Halogen 12V50W Kohler Illumination



A14.2603
Inverted Microscope,
Transmit Light



A14.2605
Inverted Biological
Phase Contrast Microscope



Seidentopf Trinocular Head Inclined 45°
Interpupillary Distance 48~76mm
WF10x/22mm, Dia.30mm, High Eyepoint, Diopter Adjustable



Seidentopf Trinocular Head Light Split
Switch E100:P0 / E20:P80

Head & Eyepiece

Seidentopf Trinocular Head Inclined 45° Interpupillary Distance 48-76mm, Light Split Switch E100:P0 / E20:P80
WF10x/22mm, Dia.30mm, High Eyepoint, Diopter Adjustable



Koehler Illumination Halogen 6V/30W For A14.2603
Koehler Illumination 5W LED For A14.2603-TR

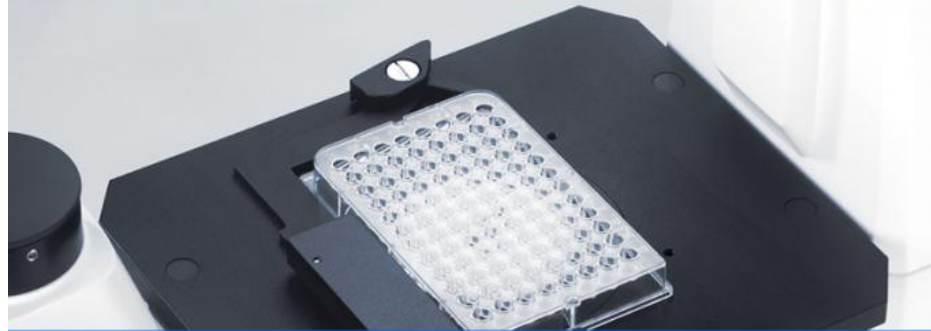
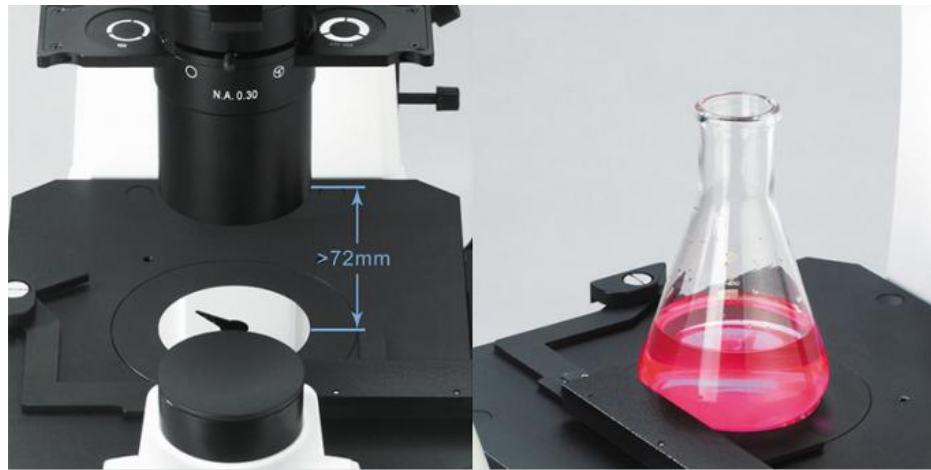


Filters: Blue, Dia.34mm; Green, Dia.34mm

Condenser & Light Source With Filters: Blue, Dia.34mm; Green, Dia.34mm

Koehler Illumination Halogen 6V/30W For A14.2603

Koehler Illumination 5W LED For A14.2603-TR



**Long Working Distance, Working Distance
72mm (With Condenser), 195mm (Without Condenser)**

Long Working Distance

Working Distance 72mm (With Condenser), 195mm (Without Condenser)



**LWD Infinity Plan Fluorescent Objectives 10x, 20x, 40x
LWD Infinity Plan Phase Contrast Fluorescent Objectives 20x**

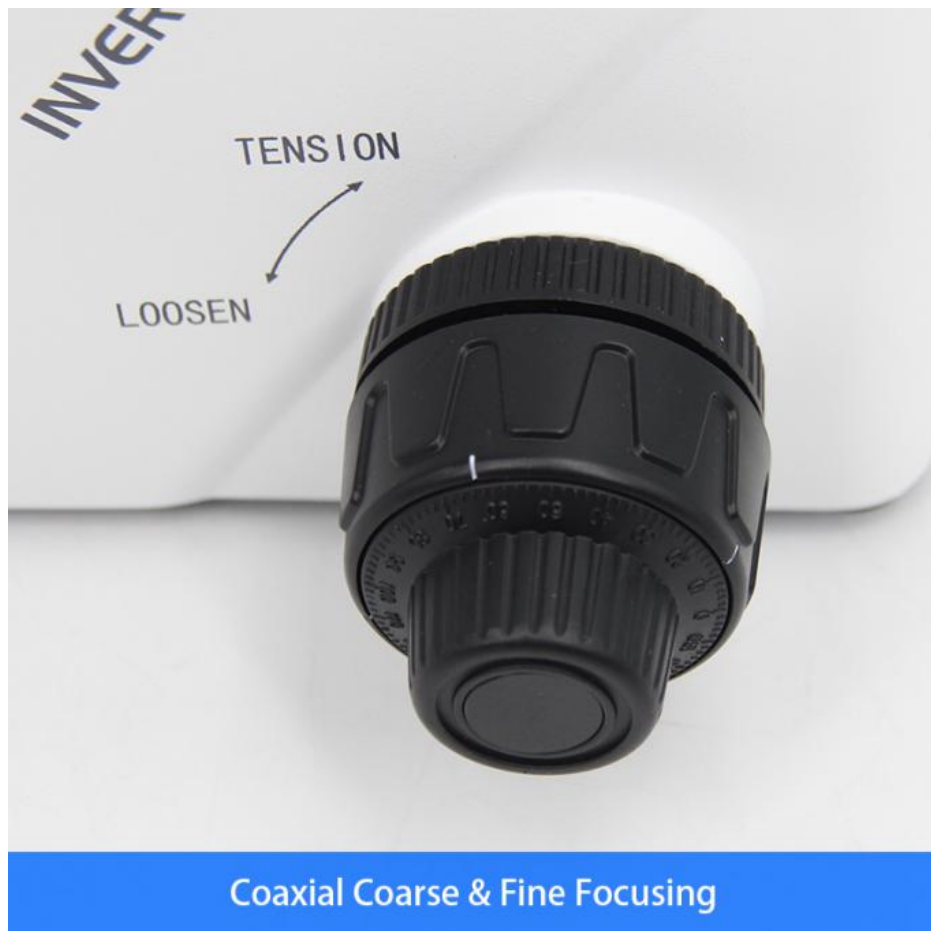
Objectives

LWD Infinity Plan Fluorescent Objectives 10x, 20x, 40x
LWD Infinity Plan Phase Contrast Fluorescent Objectives 20x



Working Stage

Mechanical Stage Size 210x241mm, Round Slide Size Φ 110mm
Culture Dish Holder 54mm

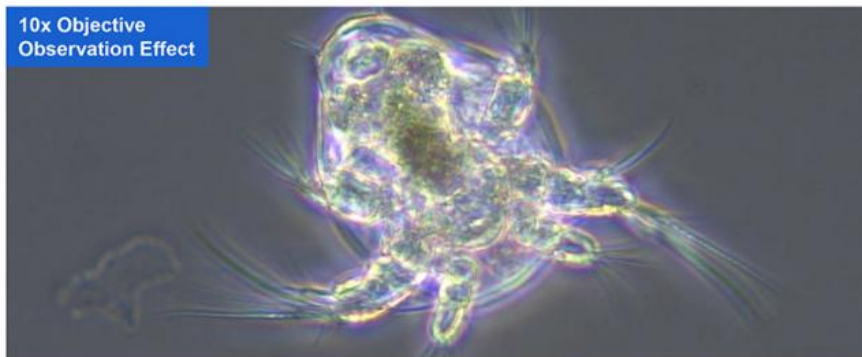




Powered By Safety Low Voltage Charger, Input Wide Voltage 100V-240V, Output 5V1A, Support Power Bank Supply For Outdoor Use

3W LED Koehler Illumination, Field Diaphragm

Powered By Safety Low Voltage Charger
Input Wide Voltage 100V-240V, Output 5V1A, Support Power Bank Supply For Outdoor Use



Items	A14.2603 Inverted Biological Microscope	A14.2603	A14.2603 -TR	Cata. No.
Head	Seidentopf Trinocular Head Inclined 45°, Interpupillary Distance 48~76mm, Light Split Switch E100:P0 / E20:P80	●	●	A53.2643
Eyepiece	WF10x/22mm, Dia.30mm, High Eyepoint,, Diopter Adjustable	●●	●●	A51.2621-1022
	WF15X/16mm, Dia.30mm, High Eyepoint, Diopter Adjustable	○○	○○	A51.2621-1516
	WF20X/12mm, Dia.30mm, High Eyepoint, Diopter Adjustable	○○	○○	A51.2621-2012
Nosepiece	Quintuple	●	●	A54.2610-N925
LWD Infinity Plan Fluorescent Objectives Newly Update 2021	L Plan FL 4x/0.11 W.D.=12.1mm	○	○	A5F.2635-4
	L Plan FL 10x/0.25 W.D.=10.3mm	●	●	A5F.2635-10
	L Plan FL 20x/0.45 W.D.=5.8mm	●	●	A5F.2635-20
	L Plan FL 40x/0.65 W.D.=5.1mm	●	●	A5F.2635-40
LWD Infinity Plan Phase Contrast Fluorescent Objectives Newly Update 2021	L Plan FL PHP 4x/0.10 W.D.=9.2mm	○	○	A5C.2635-4
	L Plan FL PHP 10x/0.25 W.D.=10.3mm	○	○	A5C.2635-10
	L Plan FL PHP 20x/0.45 W.D.=5.8mm	●	●	A5C.2635-20
	L Plan FL PHP 40x/0.65 W.D.=5.1mm	○	○	A5C.2635-40
Phase Contrast	Centering Telescope 11x	○	○	A5C.2610
	Annular Spot 4x	○	○	A5C.2611-4
	Annular Spot 20x/ 40x	●	●	A5C.2611-10
	Annular Spot 10x	●	●	A5C.2611-20/40
	Mechanical Stage Size 210x241mm, Round Slide Size Φ110mm	●	●	A54.2601-D4

Working Stage	Attachable Mechanical Stage For 96 Holes Plate Moving Range 128x80mm	○	○	A54.2605
	Culture Dish Holder 65mm	○	○	A54.2606-65
	Culture Dish Holder 54mm	●	●	A54.2606-54
	Culture Dish Holder 35mm	○	○	A54.2606-35
	Holder For Blood Cell Counter	○	○	A54.2606-BC
	Universal Holder (New Accessory 2021)	○	○	A54.2606-UH
	Round Glass Holder (New Accessory 2021)	○	○	A54.2606-GL
Condenser	Long Working Distance, Quickly Detachable, N.A.0.3, Working Distance 72mm (With Condenser), 195mm (Without Condenser).	●	●	A56.2614-D4
Tranmist Illumination	Koehler Illumination Halogen 6V/30W, Input Voltage 100V~240V	●	○	A56.2613-6V30W
	Koehler Illumination 5W LED, Powered By Safety Low Voltage Charger, Input Wide Voltage 100V-240V, Output 5V1A, Support Power Bank Supply For Outdoor Use	○	●	A56.2651-5W
Reflect Illumination	Koehler Illumination 5W LED, Powered By Safety Low Voltage Charger, Input Wide Voltage 100V-240V, Output 5V1A, Support Power Bank Supply For Outdoor Use	-	●	
	Polarizing Set		●	
Power	ECO, Auto Power Off System. Power Off Automatically Upon User Leaving 10 Minutes, Power On Automatically Upon User Approaching Detected, This Function Can Be Shut Down Manually	○	○	A56.2660
Filter	Blue, Dia.34mm	●	●	A56.2616-34B
	Green, Dia.34mm	●	●	A56.2616-34G
	Amber, Dia.34mm	○	○	A56.2616-34A
	Grey, Dia.34mm	○	○	A56.2616-34N
Adapter	C-Mount 0.5x, Focus Adjustable	○	○	A55.2601-05
	C-Mount 0.75x, Focus Adjustable	○	○	A55.2601-75
	C-Mount1.0x, Focus Adjustable	○	○	A55.2601-10
Epi Fluorescence Illumination	Upgrade to A16.2614-2 Inverted Fluorescence Microscope With: B,G China Fluorescent Filter 3 Holes Fluorescent Slide Unit, With Field Diaphragm, Center Adjustable 100W Mercury Lamp House 100W Mercury Power Box, Digital Disp. Ultraviolet Protection Barrier	○	○	A5F.2603-2
	Upgrade to A16.2614-4 Inverted Fluorescence Microscope With: B,G,U,UV China Fluorescent Filter 3 Holes Fluorescent Slide Unit, With Field Diaphragm, Center Adjustable 100W Mercury Lamp House 100W Mercury Power Box, Digital Disp. Ultraviolet Protection Barrier	○	○	A5F.2603-4
	Upgrade to A16.2614-L2 Inverted Fluorescence Microscope With: B,G China Fluorescent Filter 3 Holes Fluorescent Slide Unit, With Field Diaphragm, Center Adjustable 5W LED Lamp House 5W LED Power Box Ultraviolet Protection Barrier	○	○	A5F.2604-2
	Upgrade to A16.2614-L4 Inverted Fluorescence Microscope With: B,G,U,UV China Fluorescent Filter 3 Holes Fluorescent Slide Unit, With Field Diaphragm, Center Adjustable 5W LED Lamp House 5W LED Power Box Ultraviolet Protection Barrier	○	○	A5F.2604-4
Package	Packing Size: 660mmx590mmx325mm			
Weight	Gross Weight: 18 kgs, Net Weight: 13.5 kgs			

Note: "●" In Table Is Standard outfits, "○" Is Optional Accessories.

Product Accessories



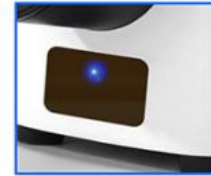
A51.2621-1022
WF10x/22mm



A51.2621-1516
WF15x/16mm



A51.2621-2012
WF20x/12mm



A56.2660
ECO, Auto
Power Off System



A52.2609 LWD Infinity Plan Objective: 10x, 20x, 40x
A5C.2630 LWD Infinity Plan Phase Contrast Objective: 20x



A55.2601-10
C-Mount 1.0x,
Focus Adjustable



A5C.2610 Centering Telescope 11x (Optional)
& **A5C.2611 Annular Spot 10x/20x/40x**



A55.2601-75
C-Mount 0.75x,
Focus Adjustable



A54.2601-D4
Mechanical Stage
Size 210x241mm
Round Slide Size
Φ110mm



A55.2601-05
C-Mount 0.5x,
Focus Adjustable



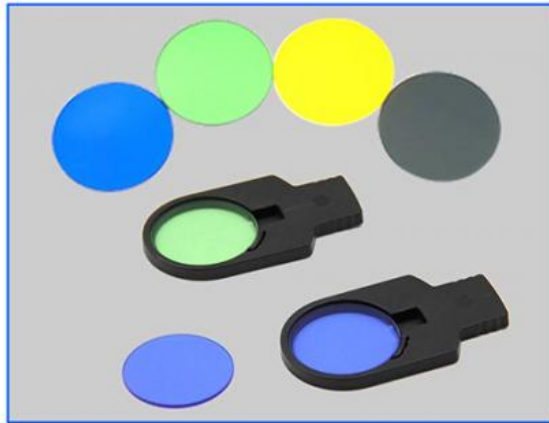
A54.2606-65 & A54.2606-35
Culture Dish Holder 65mm & Culture
Dish Holder 35mm (Optional)



A54.2606-54
Culture Dish Holder 54mm



A56.2614-D4
Long Working Distance
Quickly Detachable
N.A.0.3 Condenser



A56.2616
Filter: Blue, Green;
Amber; Grey
(Optional)

Product Upgrade

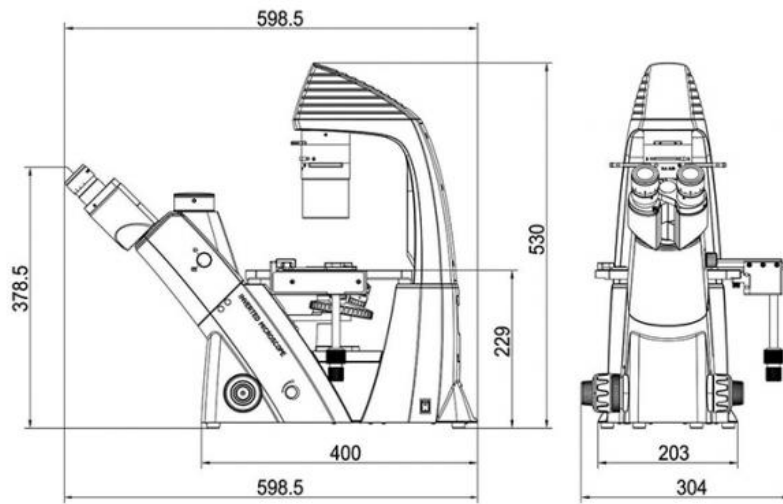
A14.2603-TR
Inverted Microscope With
Transmit & Reflect Light Source



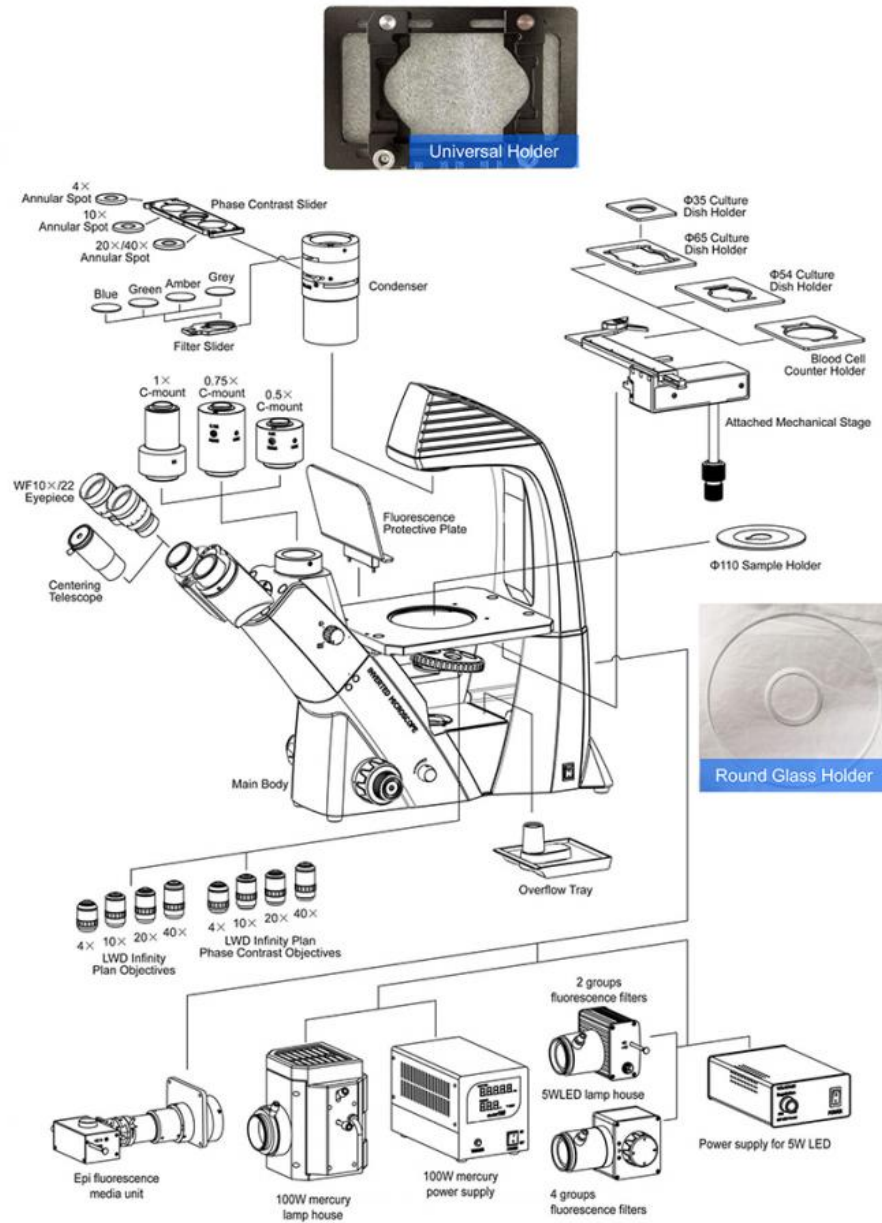
A16.2614 & A16.2614-L
Inverted Fluorescence Microscope



Product Size(mm)



General Layout Diagram



Opto-Edu (Beijing) Co., Ltd.

☎ 0086 13911110627

✉ sale@optoedu.com

🌐 cnoec.com

F-1501 Wanda Plaza, No. 18 Shijingshan Road, Beijing 100043, China