



Trinocular Inverted Biological Microscope WF10X PIA14.2605 Kohler Illumination

Our Product Introduction

for more products please visit us on cnoec.com

Basic Information

- Place of Origin: China
- Brand Name: CNOEC, OPTO-EDU
- Certification: CE, Rohs
- Model Number: A14.2605
- Minimum Order Quantity: 1 pc
- Price: FOB \$1~1000, Depend on Order Quantity
- Packaging Details: Carton Packing, For Export Transportation
- Delivery Time: 5~20 Days
- Payment Terms: T/T, West Union, Paypal
- Supply Ability: 5000 pcs/ Month



Product Specification

- Eyepiece: WF10X/22mm Diopter Adjustable
- Annular Spot: 10x/20x/ 40x
- Objectives: LWD Infinity Plan & LWD Infinity Plan Phase Contrast Objectives
- Seidentopf Trinocular Head: Inclined 45°, Interpupillary Distance: 48-76mm
- Digital Photography C-mount: 100% Light For Photography Port
- Nosepiece: Quintuple
- Mechanical Stage: Stage Size: XxY 210x241mm
- Culture Dish Holder: 54mm
- Condenser: 4-hole Rotating Disc Phase Contrast Condenser
- Koehler Illumination: 12V/50W Halogen, Input Voltage:100V~240V
- Highlight: **inverted fluorescence microscope,**
inverted light microscope



Automatic Infrared Induction For Power On-off
Power Off Upon User Leaving 10 Minutes, And Power On Upon User Approaching

More Images



Special Light Port For SLR Digital Camera, 7° Inched Up To Be More Convenient To Observe The Image Of The SLR Camera



12V/50W Kohler Illumination Makes The Field More Even And Brighter



4-hole Rotating Disc Phase Contrast Condenser For Standard To Change Bright Field And Phase Contrast Fast





A14.2605

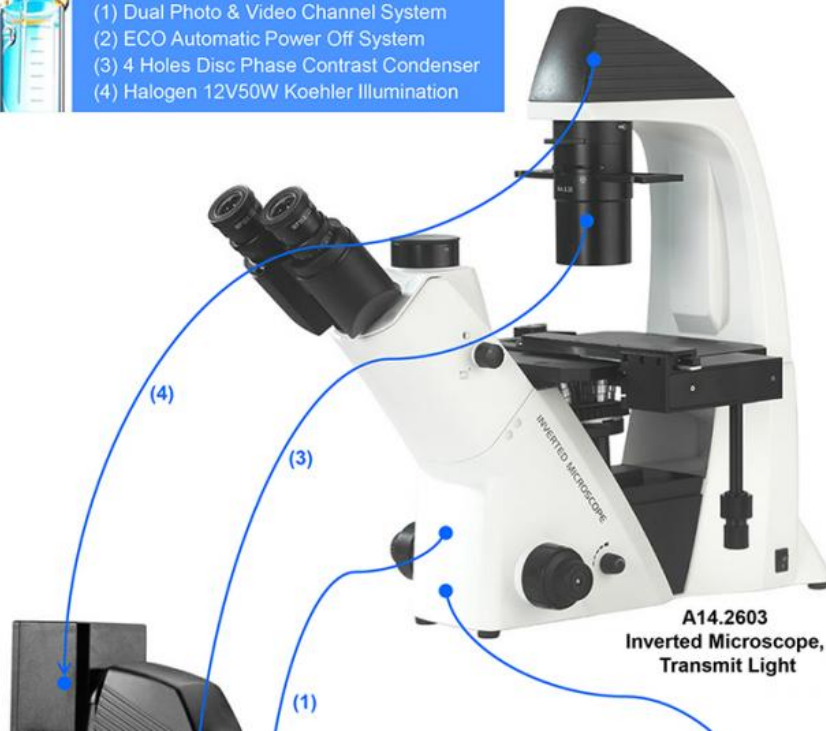
Inverted Biological Phase Contrast Microscope



A14.2603 Upgraded To A14.2605



- (1) Dual Photo & Video Channel System
- (2) ECO Automatic Power Off System
- (3) 4 Holes Disc Phase Contrast Condenser
- (4) Halogen 12V50W Koehler Illumination



A14.2603
Inverted Microscope,
Transmit Light



A14.2605
Inverted Biological
Phase Contrast Microscope



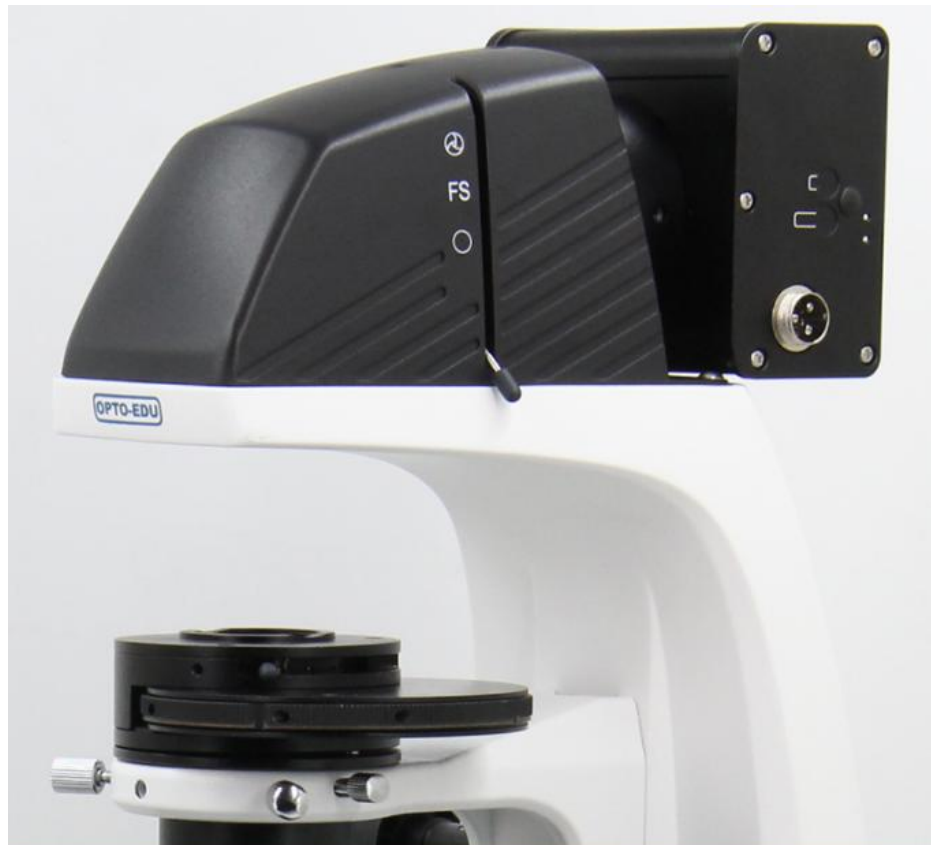
Seidentopf Trinocular Head Inclined 45°
Interpupillary Distance 48~76mm
WF10x/22mm, Dia.30mm, High Eyepoint, Diopter Adjustable



Seidentopf Trinocular Head Light Split
Switch E100:P0 / E20:P80

Head & Eyepiece

Seidentopf Trinocular Head Inclined 45° Interpupillary Distance 48-76mm, Light Split Switch E100:P0 / E20:P80
WF10x/22mm, Dia.30mm, High Eyepoint, Diopter Adjustable



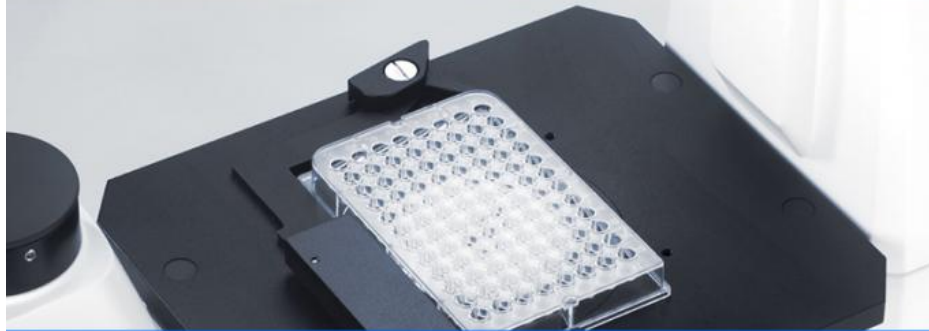
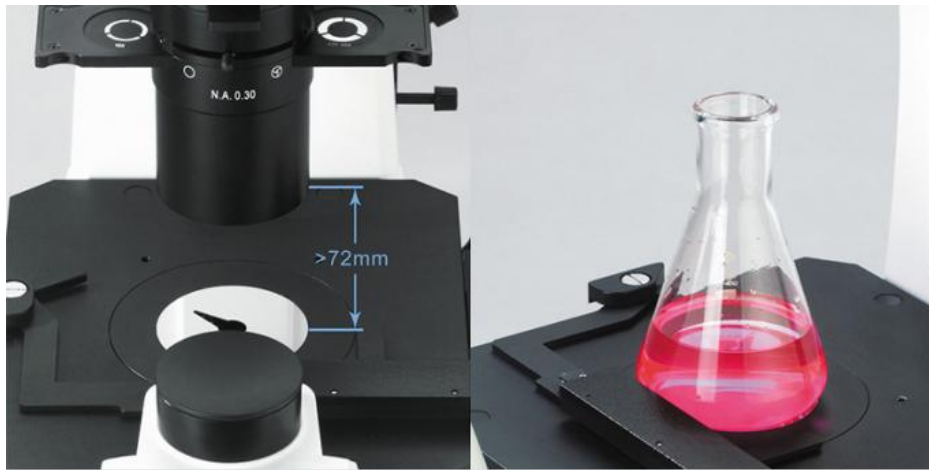
Halogen 12V50W Koehler Illumination

Reflect Light
Koehler Illumination Halogen 12V/50W, Input Voltage 100V~240V



4 Holes Disc Phase Contrast Condenser

Condenser
4 Holes Rotating Disc Phase Contrast Condenser
N.A.0.4, W.D. 45mm, Up/Down Adjustable



Long Working Distance, Working Distance
72mm (With Condenser), 195mm (Without Condenser)

Long Working Distance

Working Distance 72mm (With Condenser), 195mm (Without Condenser)



LWD Infinity Plan Fluorescent Objectives 4x, LWD Infinity
Plan Phase Contrast Fluorescent Objectives 10x, 20x, 40x

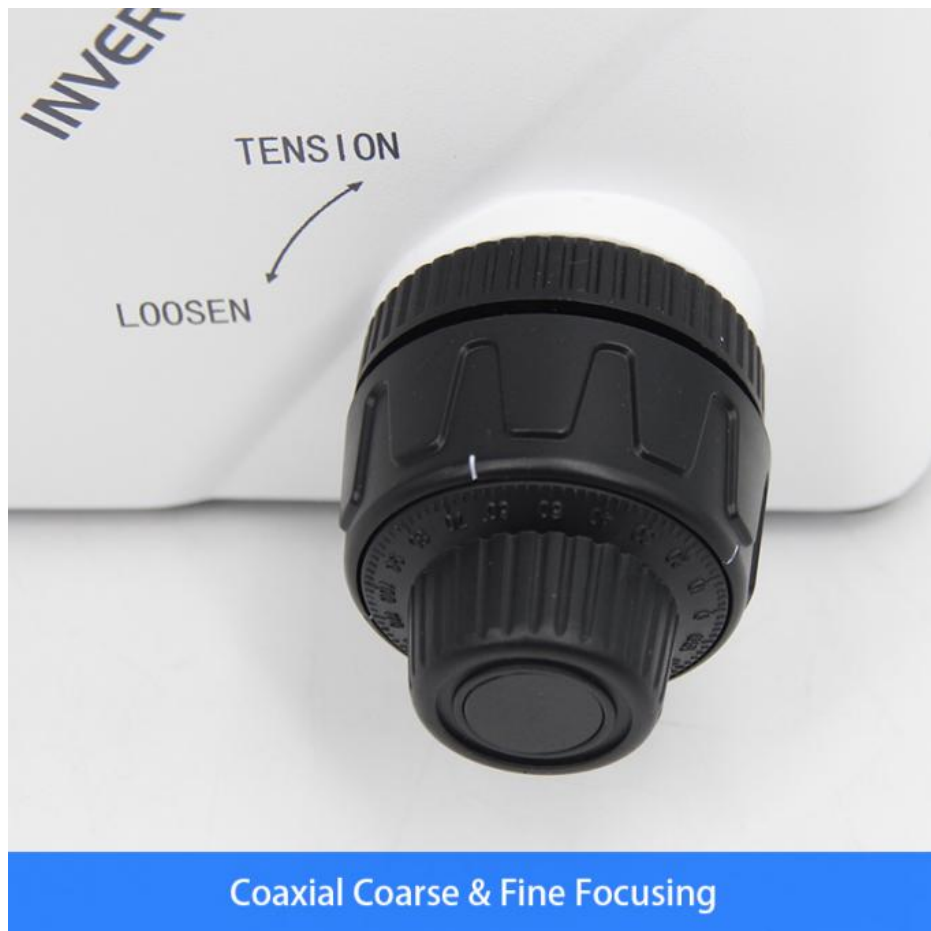
Objectives

LWD Infinity Plan Fluorescent Objectives 4x, LWD Infinity
Plan Phase Contrast Fluorescent Objectives 10x, 20x, 40x



Working Stage

Mechanical Stage Size 210x241mm, Round Slide Size Φ 110mm
Culture Dish Holder 54mm

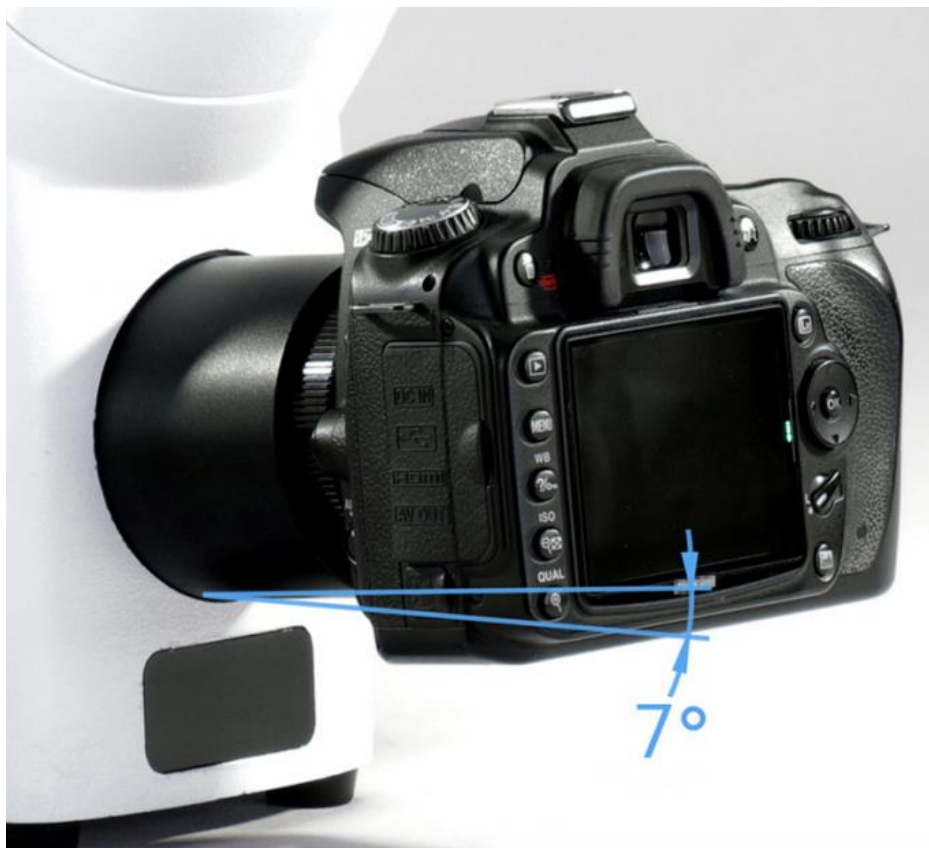




ECO Automatic Power Off System

ECO, Auto Power Off System

Power Off Automatically Upon User Leaving 10 Minutes,
Power On Automatically Upon User Approaching Detected,
This Function Can Be Shut Down Manually



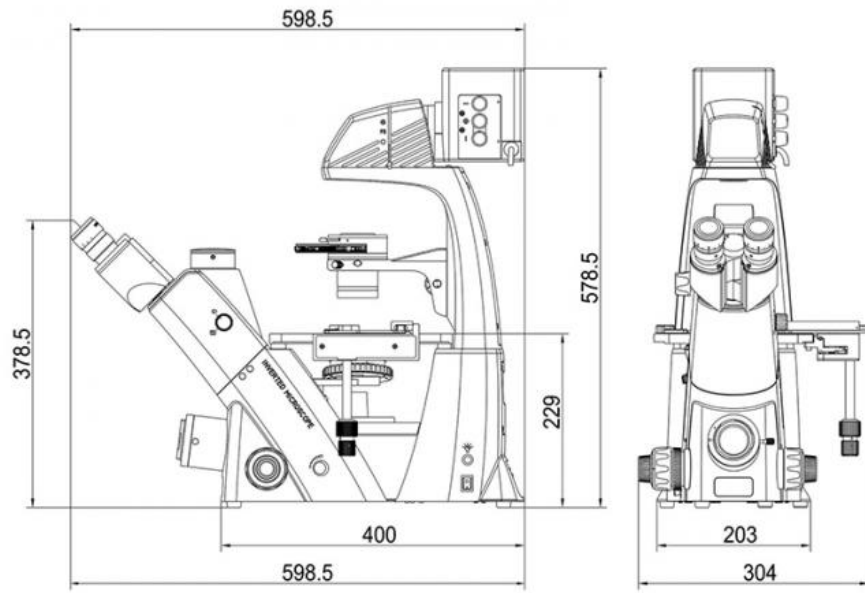
Dual Photo & Video Channel System

Adapter

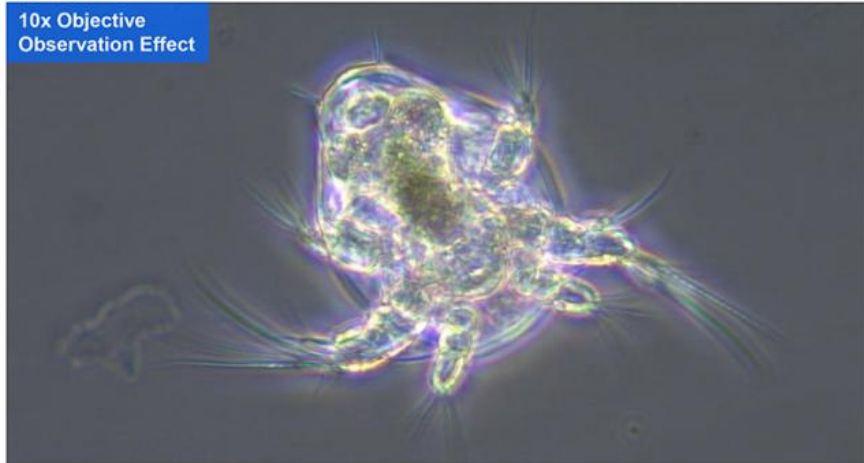
Photo Adapter With 1.7x Photo Eyepiece, 100% Light For Camera Port,
For Canon SLR Digital Camera

Items	A14.2605 Inverted Biological Microscope Specification	Cata. No.
A14.2605 Upgraded From A14.2603	--Dual Photo & Video Channel System --ECO Automatic Power Off System --4 Holes Disc Phase Contrast Condenser --Halogen 12V50W Koehler Illumination	
Head	Seidentopf Trinocular Head Inclined 45°, Interpupillary Distance 48-76mm, , Light Split Switch E100:P0 / E20:P80 Dual Photo & Video Channel Support Eyepiece View / Digital Camera/SLR Camera Take Picture & Record Video At Same Time: --Eyepiece View Has 100% Or 20% Light Switchable --Digital Camera Port Has 0% Or 80% Light Switchable --Photography Port 100% Light For SLR Camera (Standard Outfit Including SLR Camera Adapter 1pc)	● A53.2643
Eyepiece	WF10x/22mm, Dia.30mm, High Eyepoint,, Diopter Adjustable	●● A51.2621-1022
	WF15X/16mm, Dia.30mm, High Eyepoint, Diopter Adjustable	○○ A51.2621-1516
	WF20X/12mm, Dia.30mm, High Eyepoint, Diopter Adjustable	○○ A51.2621-2012
Nosepiece	Quintuple	● A54.2610-N925
LWD Infinity Plan Fluorescent Objectives Newly Update 2021	L Plan FL 4x/0.11 W.D.=12.1mm	● A5F.2635-4
	L Plan FL 10x/0.25 W.D.=10.3mm	○ A5F.2635-10
	L Plan FL 20x/0.45 W.D.=5.8mm	○ A5F.2635-20
	L Plan FL 40x/0.65 W.D.=5.1mm	○ A5F.2635-40
LWD Infinity Plan Phase Contrast Fluorescent Objectives Newly Update 2021	L Plan FL PHP 4x/0.10 W.D.=9.2mm	○ A5C.2635-4
	L Plan FL PHP 10x/0.25 W.D.=10.3mm	● A5C.2635-10
	L Plan FL PHP 20x/0.45 W.D.=5.8mm	● A5C.2635-20
	L Plan FL PHP 40x/0.65 W.D.=5.1mm	● A5C.2635-40
Phase Contrast	4 Holes Rotating Disc Phase Contrast Condenser N.A.0.4, W.D. 45mm, Up/Down Adjustable	● A56.2612
	Centering Telescope 11x	● A5C.2610
Working Stage	Mechanical Stage Size 210x241mm, Round Slide Size Φ110mm	● A54.2601-D4
	Attachable Mechanical Stage For 96 Holes Plate Moving Range 128x80mm	● A54.2605
	Culture Dish Holder 65mm	○ A54.2606-65
	Culture Dish Holder 54mm	● A54.2606-54
	Culture Dish Holder 35mm	○ A54.2606-35
	Holder For Blood Cell Counter	○ A54.2606-BC
	Universal Holder (New Accessory 2021)	○ A54.2606-UH
	Round Glass Holder (New Accessory 2021)	○ A54.2606-GL
Illumination	Koehler Illumination Halogen 12V/50W, Input Voltage 100V~240V	● A56.2613-50W
	Koehler Illumination 5W LED, Input Voltage 100V~240V	○ A56.2651-5W
Power	ECO, Auto Power Off System. Power Off Automatically Upon User Leaving 10 Minutes, Power On Automatically Upon User Approaching Detected, This Function Can Be Shut Down Manually	● A56.2660
Filter	Blue, Dia.34mm	● A56.2616-34B
	Green, Dia.34mm	● A56.2616-34G
	Amber, Dia.34mm	○ A56.2616-34A
	Grey, Dia.34mm	○ A56.2616-34N
Adapter	Photo Adapter With 1.7x Photo Eyepiece,100% Light For Camera Port, For Canon SLR Digital Camera	● A55.2622-BC17
	Photo Adapter With 1.7x Photo Eyepiece,100% Light For Camera Port, For Nikon SLR Digital Camera	○ A55.2622-BN17
	Photo Adapter With 2.5x Photo Eyepiece,100% Light For Camera Port, For Canon SLR Digital Camera With 1" CCD Sensor	○ A55.2622-BC25
	Photo Adapter With 2.5x Photo Eyepiece,100% Light For Camera Port, For Nikon SLR Digital Camera With 1" CCD Sensor	○ A55.2622-BN25
	C-Mount 0.5x, Focus Adjustable	○ A55.2601-05
	C-Mount 0.75x, Focus Adjustable	○ A55.2601-75
	C-Mount1.0x, Focus Adjustable	○ A55.2601-10
Fluorescence	Upgrade to A16.2615-L2 Inverted Fluorescence Microscope With: B,G China Fluorescent Filter 3 Holes Fluorescent Slide Unit, With Field Diaphragm, Center Adjustable 5W LED Lamp House 5W LED Power Box Ultraviolet Protection Barrier	○ A5F.2604-2
	Upgrade to A16.2615-L4 Inverted Fluorescence Microscope With: B,G,U,UV China Fluorescent Filter 3 Holes Fluorescent Slide Unit, With Field Diaphragm, Center Adjustable 5W LED Lamp House 5W LED Power Box Ultraviolet Protection Barrier	○ A5F.2604-4
Package	Packing Size: 660mmx590mmx325mm	
Weight	Gross Weight: 18 kgs, Net Weight: 13.5 kgs	
Note: "●"In Table Is Standard outfits, "○" Is Optional Accessories.		

Product Size(mm)



**10x Objective
Observation Effect**



Product Accessories



A56.2612 4 Holes Rotating Disc Phase Contrast Condenser
 A5C.2610 Centering Telescope 11x (Optional)
 A5C.2611 Annular Spot 4x(Optional)



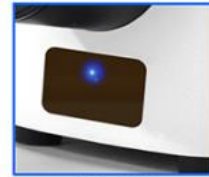
A51.2621-1022
 WF10x/22mm



A51.2621-1516
 WF15x/16mm



A51.2621-2012
 WF20x/12mm



A56.2660
 ECO, Auto
 Power Off System



A52.2609 LWD Infinity Plan Objective: 10x, 20x, 40x
 A5C.2630 LWD Infinity Plan Phase Contrast Objective: 20x



A55.2601-10
 C-Mount 1.0x,
 Focus Adjustable

A56.2616
 Filter: Blue, Green;
 Amber; Grey
 (Optional)



A55.2601-75
 C-Mount 0.75x,
 Focus Adjustable



A54.2601-D4
Mechanical Stage
 Size 210x241mm
 Round Slide Size
 Ø110mm



A55.2601-05
C-Mount 0.5x,
Focus Adjustable



A54.2606-65 & A54.2606-35
Culture Dish Holder 65mm & Culture
Dish Holder 35mm (Optional)

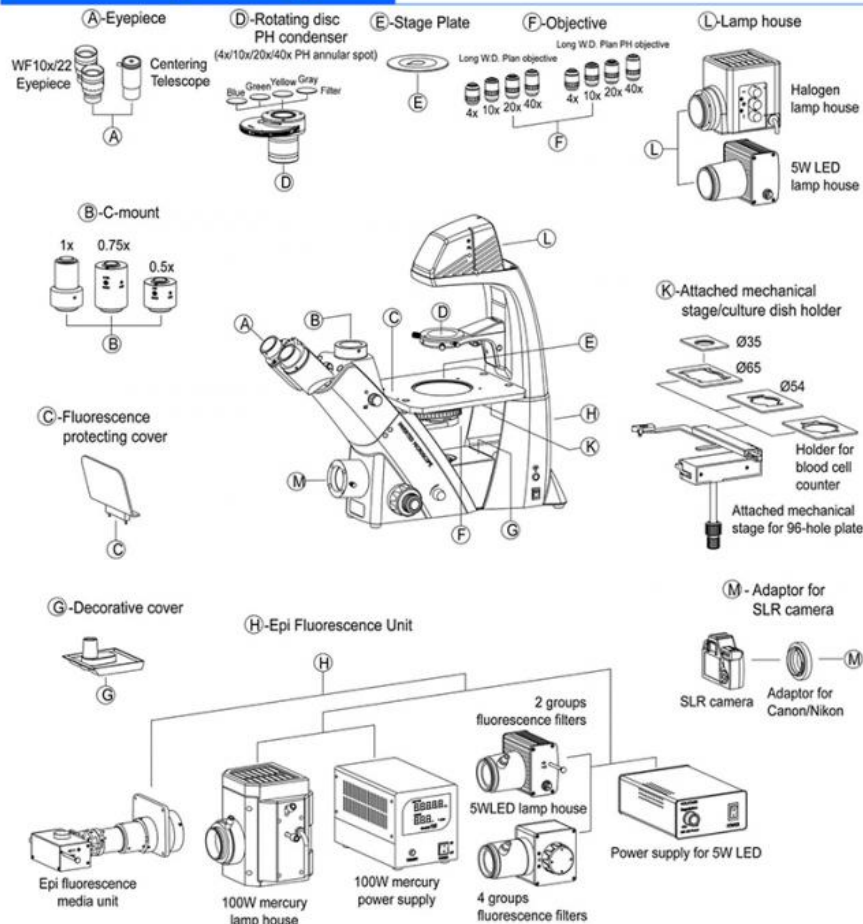


A54.2606-54
Culture Dish Holder 54mm

Upgraded To A16.2615-L LED Fluorescent Microscope



General Layout Diagram






Opto-Edu (Beijing) Co., Ltd.

 0086 13911110627

 sale@optoedu.com

 cnoec.com

F-1501 Wanda Plaza, No. 18 Shijingshan Road, Beijing 100043, China