



A16.2605 BGUV Inverted Fluorescence Microscope WF10X/22mm Diopter Adjustable

Our Product Introduction

Basic Information

- Place of Origin: China
- Brand Name: CNOEC, OPTO-EDU
- Certification: CE, Rohs
- Model Number: A16.2605
- Minimum Order Quantity: 1 pc
- Price: Negotiation
- Packaging Details: Carton Packing, For Export Transportation
- Delivery Time: 5~20 Days
- Payment Terms: T/T, West Union, Paypal
- Supply Ability: 5000 pcs/ Month



Automatic Infrared Induction For Power On-Off.
Power Off Upon User Leaving 10 Minutes, And Power On Upon User Approaching

Product Specification

- Eyepiece: WF10X/22mm Diopter Adjustable
- Objectives: LWD Infinity Plan & LWD Infinity Plan Phase Contrast Objectives
- Annular Spot: 10x/20x/40x
- Seidentopf Trinocular Head: Inclined 45°, Interpupillary Distance: 48-76mm
- Digital Photography C-mount: One C-mount For CANON Or NIKON SLR Digital Photography Camera
- Nosepiece: Quintuple
- Mechanical Stage: Included Attached Mechanical Stage
- Culture Dish Holder: 54mm
- Condenser: 4-hole Rotating Disc Phase Contrast Condenser
- Epi Fluorescence Illumination: Epi Fluorescence Media Unit, Field Diaphragm, Center Adjustable.
- Highlight: **epi-fluorescence microscope, inverted fluorescence microscope**



for more products please visit us on cnoec.com

More Images



Special Light Port For SLR Digital Camera, 7° Tilted Up To Be More Convenient To Observe The Image Of The SLR Camera



12000K Halogen Illumination Makes The Field More Even And Brighter.



4 Hole Rotating Disc Phase Contrast Condenser For Standard To Change Bright Field And Phase Contrast Fast

Product Description

Brand-new development for life science research

Both light ports for digital camera and SLR photography, available for observing with digital camera and SLR photography at the same time

IOS Infinity optical system, perfect for cell observation and culture

--Automatic infrared induction for power on-off.

Power off upon user leaving 10 minutes, and power on upon user approaching.

--Special light port for SLR digital camera, 7°inclined up to be more convenient to observe the image of the SLR camera

--12V/50W Kohler illumination makes the field more even and brighter.

--4-hole rotating disc phase contrast condenser for standard to change bright field and phase contrast fast

OPTO-EDU

Inverted Fluorescent Microscope

A16.2605

- New Design In 2019!
- ☀ 12V50W Halogen Kohler Illumination
- ⚙ Trinocular Head + Adapter For DSLR Camera
- 🔦 ECO Infrared Sensors Indicator
- ☁ Epi Fluorescence, Field Diaphragm, Center Adjustable

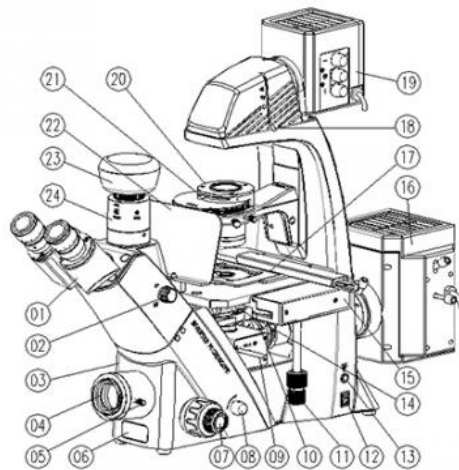
Don't Miss Newest Microscope For You!

PRODUCT DESCRIPTION



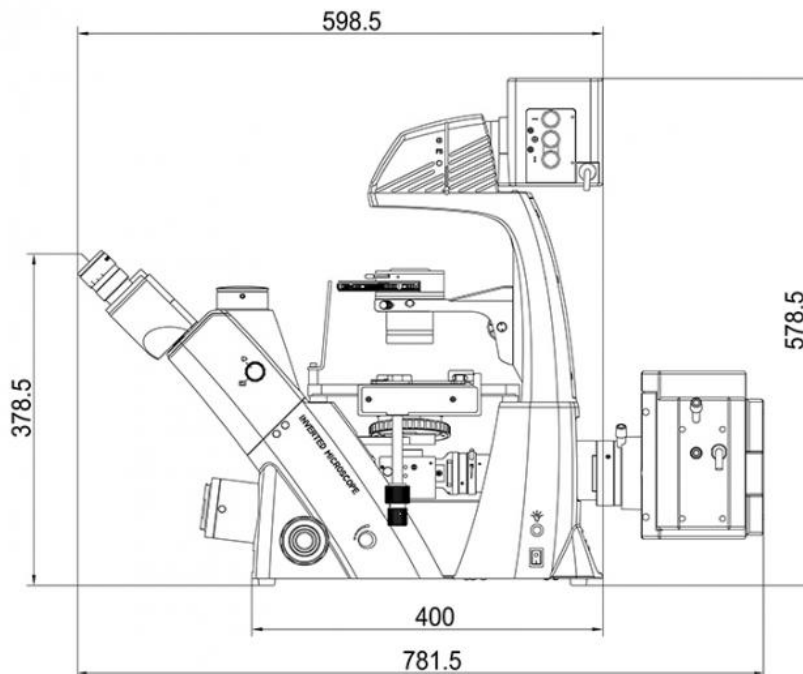
 A16.2605 Inverted Fluorescent Microscope

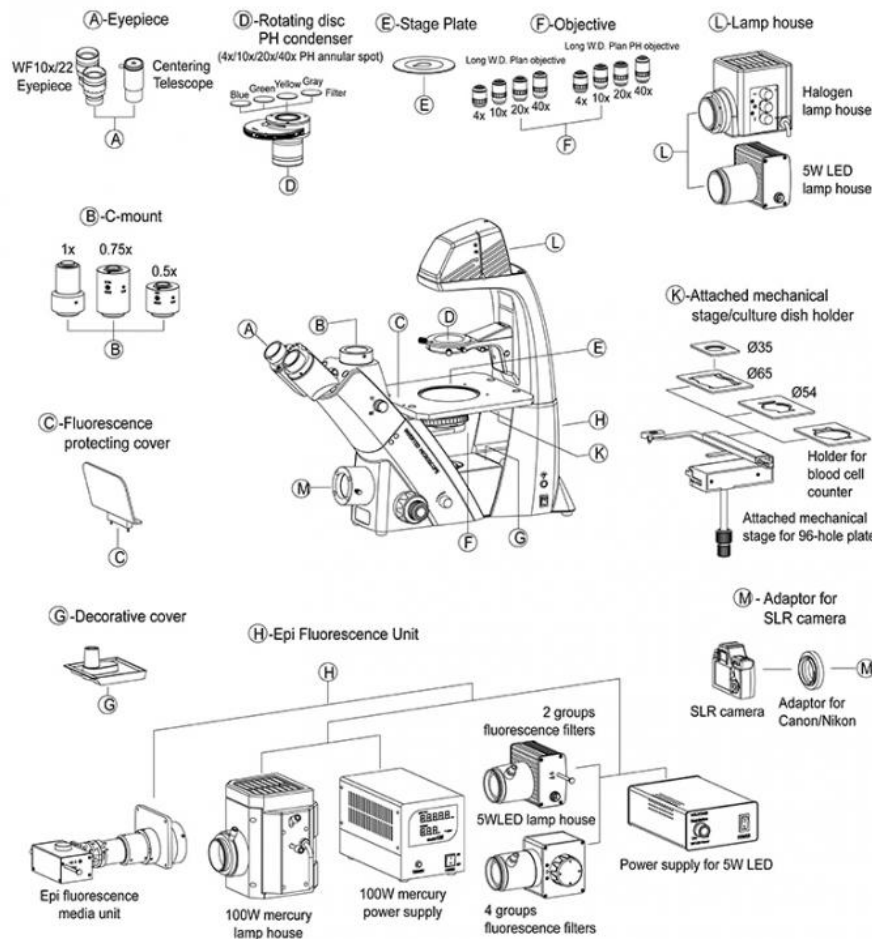
A16.2605 INVERTED FLUORESCENT MICROSCOPE



- | | |
|---|---|
| 01) Eyepiece | 13) Infrared Sensors Switch |
| 02) Trinocular Switch knob | 14) Nosepiece |
| 03) Main Body | 15) Attached Mechanical Stage For 96-hole Plate |
| 04) Adaptor for DSLR Camera | 16) 100W Mercury Lamphouse |
| 05) Fastening Screw for DSLR Camera Adaptor | 17) Stage Plate |
| 06) Infrared Sensors Indicator | 18) Field Diaphragm Lever |
| 07) Coarse & Fine Focusing Knobs | 19) 12V50W Halogen Lamphouse |
| 08) Potentiometer Knob | 20) Turnable Phase Contrast Condenser |
| 09) Fluorescent Transforming Handle | 21) Aperture Diaphragm Lever |
| 10) Diaphragm Slider | 22) UV Protecting Plate |
| 11) Mechanical Stage Hand Knob | 23) Digital Camera |
| 12) Power Switch | 24) C-mount |

A16.2605 Inverted Biological Microscope General Layout Diagram:





A16.2605 Inverted Fluorescent Microscope Specification	
Eyepiece	WF10X 22mm Diopter Adjustable Centering Telescope
Objectives	LWD Infinity Plan Objectives LPL 4X 0.11 W.D.=12.1mm LWD Infinity Plan Phase Contrast Objectives LPL PhP 10× 0.25 W.D.=8.3mm LPL PhP 20× 0.40 W.D.=7.2mm LPL PhP 40× 0.60 W.D.=3.4mm
Annular Spot	10×/20×/ 40×
Seidentopf Trinocular Head	Inclined 45°, Interpupillary Distance: 48-76mm Light Distribution (both): 100: 0 (100% For Eyepiece) 80:20 (80% For Trinocular Head, And 20% For Eyepiece)
Digital Photography C-mount	100% Light For Photography Port (One C-mount For CANON Or NIKON SLR Digital Photography Camera)
Nosepiece	Quintuple
Mechanical Stage	Stage Size: X×Y 210×241mm, Round Slide Size:φ110mm, Attached Mechanical Stage(Available For 96 Holes Plate, Moving Range X×Y:128×80mm.)
Culture Dish Holder	54mm
Condenser	4-hole Rotating Disc Phase Contrast Condenser N.A.0.4 W.D.45mm It Can Be Up-down Adjusting
Koehler Illumination	12V/50W Halogen, Input Voltage:100V 240V
Filter	Blue Green
Epi Fluorescence Illumination	Epi Fluorescence Media Unit , Field Diaphragm,Center Adjustable. 100W Mercury Lamp 5WLED B, G, V, UV Fluorescence Filters Can Be Chosen Digital Mercury Lamp Power Box (For 100W Mercury Or 5WLED) (Input Voltage:100V 240V)
Optional Accessories	
LWD Infinity Plan Objectives	LPL 10X 0.25 W.D.=8.3mm LPL 20X 0.40 W.D.=7.2mm

	LPL 40X 0.60 W.D.=3.4mm
LWD Infinity Plan Phase Contrast Objectives	LPL PhP 4× 0.10 W.D.=9.2mm
Annular Spot	4×
	65mm
Culture Dish Holder	35mm
	Holder For Blood Cell Counter
Koehler Illumination	5WLED, Input Voltage:100V 240V
Auto Power On-off System	Power Off Automatically Upon User Leaving 10 Minutes, Power On Automatically Upon User Approaching
Filter	Amber
	Grey
C-mount	1×C-Mount (Better For Digital Photograph).
	0.5X C-Mount (Focus Adjustable, Better For Digital Camera)
	0.75X C-Mount (Focus Adjustable, Better For Digital Camera)



Opto-Edu (Beijing) Co., Ltd.

0086 13911110627

sale@optoedu.com

cnoec.com

F-1501 Wanda Plaza, No. 18 Shijingshan Road, Beijing 100043, China