



Inverted Fluorescence Led Digital Microscope

Our Product Introduction

for more products please visit us on cnoec.com

Basic Information

- Place of Origin: China
- Brand Name: CNOEC, OPTO-EDU
- Certification: CE, Rohs
- Model Number: A16.2615-L
- Minimum Order Quantity: 1 pc
- Price: Negotiation
- Packaging Details: Carton Packing, For Export Transportation
- Delivery Time: 5~20 Days
- Payment Terms: T/T, West Union, Paypal
- Supply Ability: 5000 pcs/ Month



Product Specification

- Application: Research|Learning|Laboratory
- Certification: CE|Rohs
- Drawtube: Binocular
- Illumination: Halogen Lamp
- Magnification: 40X - 1600X
- Theory: Fluorescence Microscope
- Highlight: **epi-fluorescence microscope, inverted fluorescence microscope**



Automatic Infrared Induction For Power On-off
Power Off Upon User Leaving 10 Minutes, And Power On Upon User Approaching

More Images





OPTO-EDU (BEIJING) CO., LTD.

F-1501 Wanda Plaza, No.18 Shijingshan Road, Beijing 100043, China
Tel:+8610 88696020 Fax:+8610 88696085

A16.2615-L

Inverted LED Fluorescent Microscope



Our Product Introduction

for more products please visit us on cnoec.com



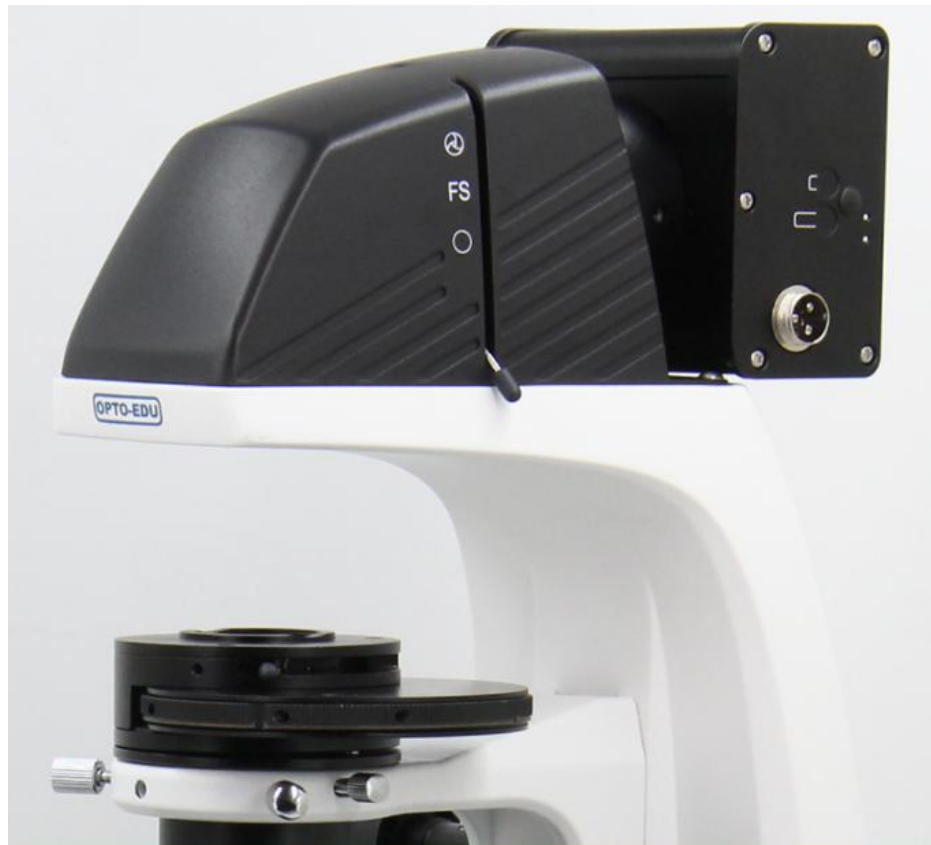
Seidentopf Trinocular Head Inclined 45°
Interpupillary Distance 48~76mm
WF10x/22mm, Dia.30mm, High Eyepoint, Diopter Adjustable



Seidentopf Trinocular Head Light Split
Switch E100:P0 / E20:P80

Head & Eyepiece

Seidentopf Trinocular Head Inclined 45° Interpupillary Distance 48-76mm, Light Split Switch E100:P0 / E20:P80
WF10x/22mm, Dia.30mm, High Eyepoint, Diopter Adjustable



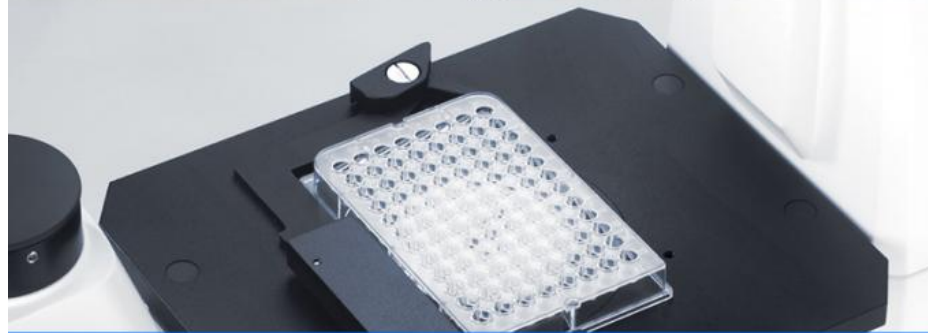
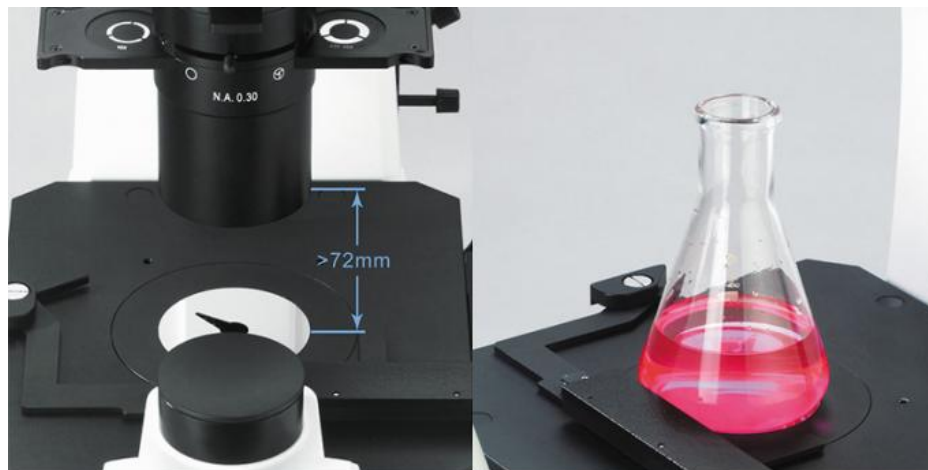
Halogen 12V50W Koehler Illumination

Reflect Light
Koehler Illumination Halogen 12V/50W, Input Voltage 100V~240V



4 Holes Disc Phase Contrast Condenser

Condenser
4 Holes Rotating Disc Phase Contrast Condenser
N.A.0.4, W.D. 45mm, Up/Down Adjustable



**Long Working Distance, Working Distance
72mm (With Condenser), 195mm (Without Condenser)**

Long Working Distance

Working Distance 72mm (With Condenser), 195mm (Without Condenser)



**LWD Infinity Plan Fluorescent Objectives 4x, LWD Infinity
Plan Phase Contrast Fluorescent Objectives 10x, 20x, 40x**

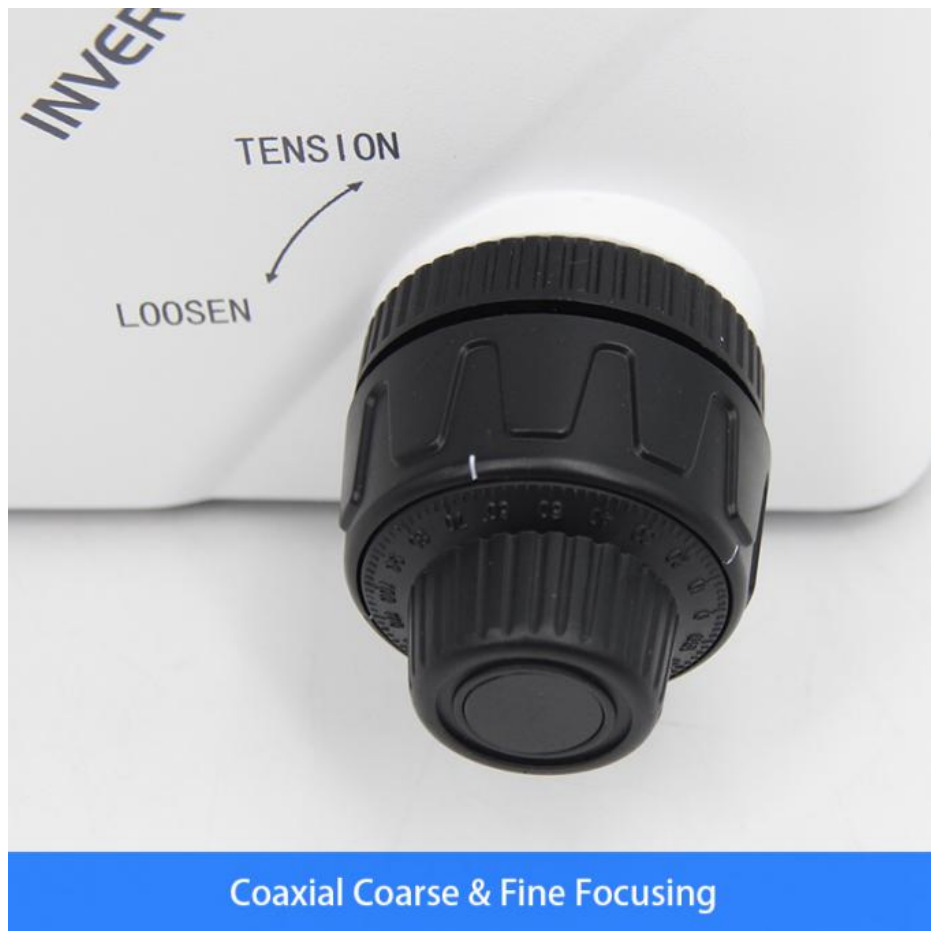
Objectives

LWD Infinity Plan Fluorescent Objectives 4x, LWD Infinity
Plan Phase Contrast Fluorescent Objectives 10x, 20x, 40x



Working Stage

Mechanical Stage Size 210x241mm, Round Slide Size Φ 110mm
Culture Dish Holder 54mm





ECO Automatic Power Off System

ECO, Auto Power Off System

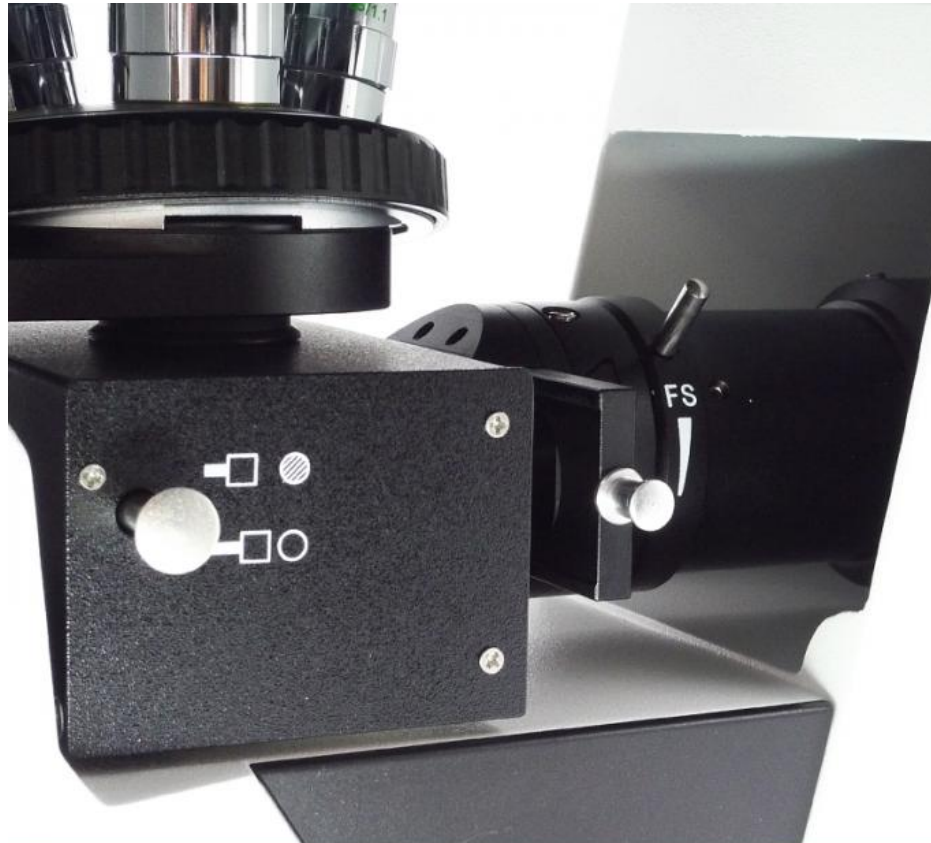
Power Off Automatically Upon User Leaving 10 Minutes,
Power On Automatically Upon User Approaching Detected,
This Function Can Be Shut Down Manually



Dual Photo & Video Channel System

Adapter

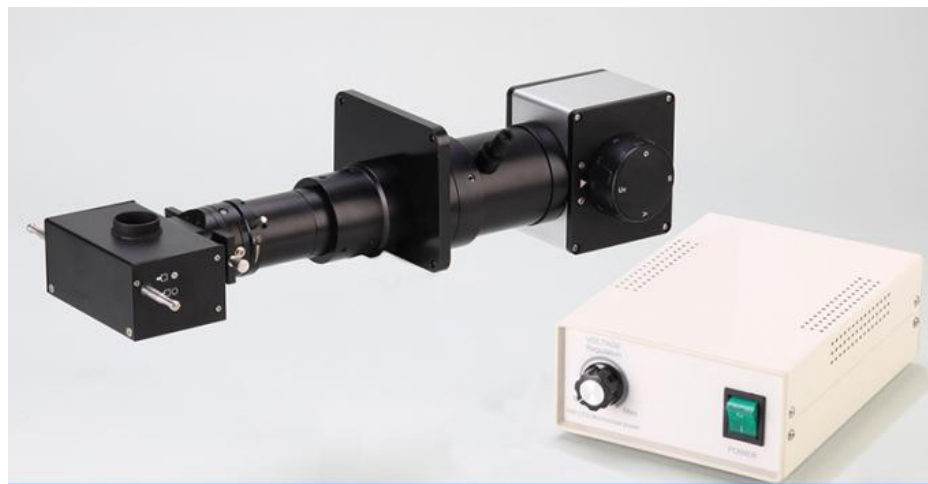
Photo Adapter With 1.7x Photo Eyepiece, 100% Light For Camera Port,
For Canon SLR Digital Camera



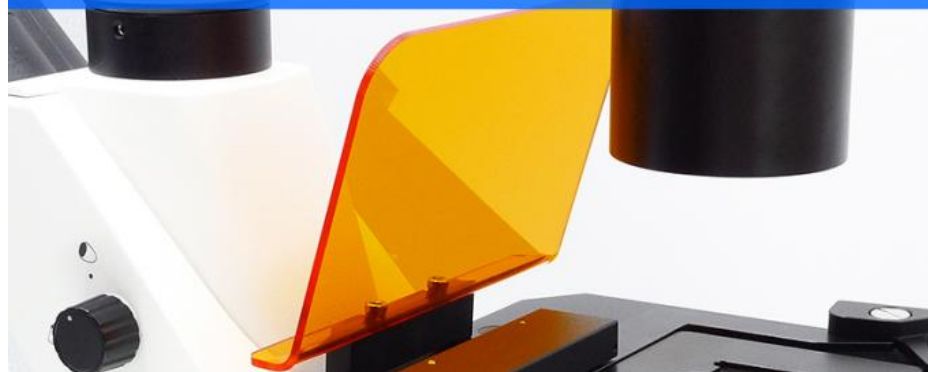
A5F.2603-2 Epi Fluorescence Illumination

A5F.2603 Epi Fluorescence Illumination

China Fluorescent Filter,
5W LED Lamp House
5W LED Power Box
Ultraviolet Protection Barrier
Fluorescent Slide Unit 3 Holes, With Filter Diaphragm, Center Adjustable
5W LED B,G Lamp Each 1 pc



5W LED Lamp House & Power Box, Ultraviolet Protection Barrier

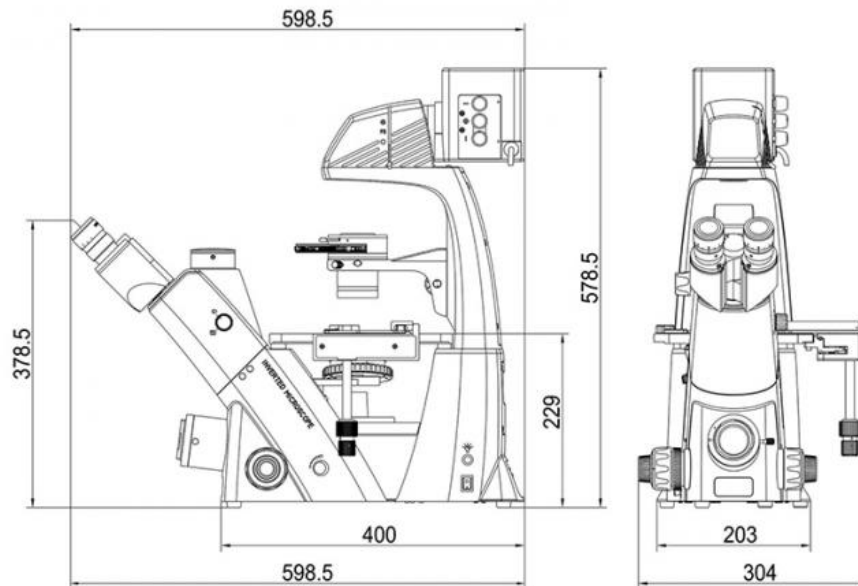


Items	A16.2615-L Inverted LED Fluorescent Microscope	-2	-4	Cata. No.
Head	Seidentopf Trinocular Head Inclined 45°, Interpupillary Distance 48~76mm, , Light Split Switch E100:P0 / E20:P80			A53.2643
	Dual Photo & Video Channel Support Eyepiece View / Digital Camera/SLR Camera Take Picture & Record Video At Same Time: --Eyepiece View Has 100% Or 20% Light Switchable --Digital Camera Port Has 0% Or 80% Light Switchable --Photography Port 100% Light For SLR Camera (Standard Outfit Including SLR Camera Adapter 1pc, Canon or Nikon)	●	●	
Eyepiece	WF10x/22mm, Dia.30mm, High Eyepoint,, Diopter Adjustable	●●	●●	A51.2621-1022
	WF15X/16mm, Dia.30mm, High Eyepoint, Diopter Adjustable	○○	○○	A51.2621-1516
	WF20X/12mm, Dia.30mm, High Eyepoint, Diopter Adjustable	○○	○○	A51.2621-2012
Nosepiece	Quintuple	●	●	A54.2610-N925
LWD Infinity Plan Objectives	LPL 4x/0.11, W.D.=12.1mm	●	●	A52.2609-4
	LPL10x/0.25, W.D.=8.3mm	○	○	A52.2609-10
	LPL 20x/0.40, W.D.=7.2mm	○	○	A52.2609-20
	LPL 40x/0.60, W.D.=3.4mm	○	○	A52.2609-40
LWD Infinity Plan Phase Contrast Objectives	LPL Ph P 4x/0.10, W.D.=9.2mm	○	○	A5C.2630-4
	LPL Ph P 10x/0.25, W.D.=8.3mm	●	●	A5C.2630-10
	LPL Ph P 20x/0.40, W.D.=7.2mm	●	●	A5C.2630-20
	LPL Ph P 40x/0.60, W.D.=3.4mm	●	●	A5C.2630-40
Phase Contrast	4 Holes Rotating Disc Phase Contrast Condenser N.A.0.4, W.D. 45mm, Up/Down Adjustable	●	●	A56.2612
	Centering Telescope 11x	●	●	A5C.2610
	Annular Spot 4x	○	○	A5C.2611-4
	Annular Spot 20x/ 40x	●	●	A5C.2611-10
	Annular Spot 10x	●	●	A5C.2611-20/40
Working Stage	Mechanical Stage Size 210x241mm, Round Slide Size Φ110mm	●	●	A54.2601-D4
	Attached Mechanical Stage, Available For 96 Holes Plate, Moving Range 128x80mm	●	●	A54.2605
	Culture Dish Holder 65mm	○	○	A54.2606-65
	Culture Dish Holder 54mm	●	●	A54.2606-54
	Culture Dish Holder 35mm	○	○	A54.2606-35
Holder For Blood Cell Counter	○	○	A54.2606-BC	
Illumination	Koehler Illumination Halogen 12V/50W, Input Voltage 100V~240V	●	●	A56.2650-50W

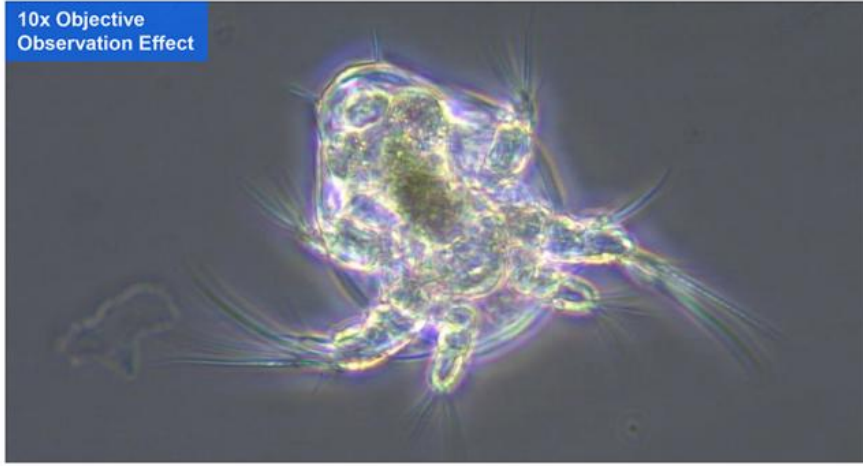
	Koehler Illumination 5W LED, Input Voltage 100V~240V	○	○	A56.2651-5W
Power	ECO, Auto Power Off System. Power Off Automatically Upon User Leaving 10 Minutes, Power On Automatically Upon User Approaching Detected, This Function Can Be Shut Down Manually	●	●	A56.2660
Filter	Blue, Dia.34mm	●	●	A56.2616-34B
	Green, Dia.34mm	●	●	A56.2616-34G
	Amber, Dia.34mm	○	○	A56.2616-34A
	Grey, Dia.34mm	○	○	A56.2616-34N
Adapter	Photo Adapter With 1.7x Photo Eyepiece,100% Light For Camera Port, For Canon SLR Digital Camera	●	●	A55.2622-BC17
	Photo Adapter With 1.7x Photo Eyepiece,100% Light For Camera Port, For Nikon SLR Digital Camera	○	○	A55.2622-BN17
	Photo Adapter With 2.5x Photo Eyepiece,100% Light For Camera Port, For Canon SLR Digital Camera With 1" CCD Sensor	○	○	A55.2622-BC25
	Photo Adapter With 2.5x Photo Eyepiece,100% Light For Camera Port, For Nikon SLR Digital Camera With 1" CCD Sensor	○	○	A55.2622-BN25
	C-Mount 0.5x, Focus Adjustable	○	○	A55.2601-05
	C-Mount 0.75x, Focus Adjustable	○	○	A55.2601-75
	C-Mount1.0x, Focus Adjustable	○	○	A55.2601-10
Fluorescence	Upgrade From A14.2605 Inverted Microscope With B,G China Fluorescent Filter, 5W LED Lamp House 5W LED Power Box Ultraviolet Protection Barrier Fluorescent Slide Unit 3 Holes, With Filter Diaphragm, Center Adjustable 5W LED B,G Lamp Each 1 pc	●	○	A5F.2604-2
	Upgrade From A14.2605 Inverted Microscope With B,G,V,VU China Fluorescent Filter, 5W LED Lamp House 5W LED Power Box Ultraviolet Protection Barrier Fluorescent Slide Unit 3 Holes, With Filter Diaphragm, Center Adjustable 5W LED B,G,V,VU Lamp Each 1 pc	○	●	A5F.2604-4
Package	Packing Size: 660mmx600mmx330mm			
Weight	Gross Weight: 17 kgs, Net Weight: 13.5 kgs			

Note: "●"In Table Is Standard outfits, "○" Is Optional Accessories.

Product Size(mm)



10x Objective
Observation Effect



Product Accessories



A56.2612 4 Holes Rotating Disc Phase Contrast Condenser
A5C.2610 Centering Telescope 11x (Optional)
A5C.2611 Annular Spot 4x(Optional)



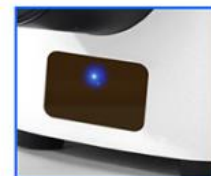
A51.2621-1022
WF10x/22mm



A51.2621-1516
WF15x/16mm



A51.2621-2012
WF20x/12mm



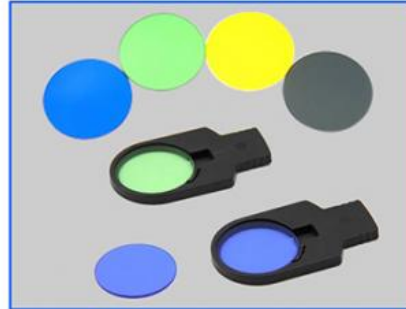
A56.2660
ECO, Auto
Power Off System



A52.2609 LWD Infinity Plan Objective: 10x, 20x, 40x
 A5C.2630 LWD Infinity Plan Phase Contrast Objective: 20x



A55.2601-10
 C-Mount 1.0x,
 Focus Adjustable



A56.2616
 Filter: Blue, Green;
 Amber; Grey
 (Optional)



A55.2601-75
 C-Mount 0.75x,
 Focus Adjustable



A54.2601-D4
 Mechanical Stage
 Size 210x241mm
 Round Slide Size
 Ø110mm



A55.2601-05
 C-Mount 0.5x,
 Focus Adjustable



A54.2606-65 & A54.2606-35
 Culture Dish Holder 65mm & Culture
 Dish Holder 35mm (Optional)

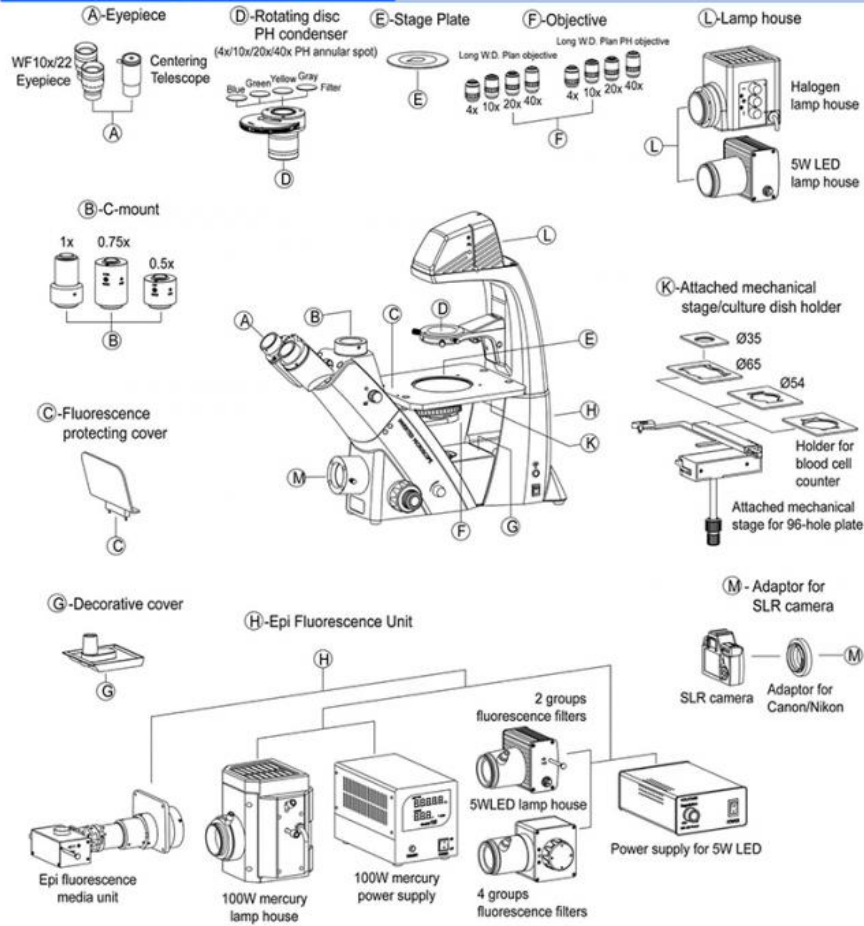


A54.2606-54
 Culture Dish Holder 54mm

Upgraded To A16.2615-L LED Fluorescent Microscope



General Layout Diagram



Opto-Edu (Beijing) Co., Ltd.

☎ 0086 13911110627

✉ sale@optoedu.com

🌐 cnoec.com

F-1501 Wanda Plaza, No. 18 Shijingshan Road, Beijing 100043, China