



## Mobile Phone Repair Long Arm Digital Microscope 3.5M 1 / 3" OPTO - EDU A36.4952 8.8X - 480X

Our Product Introduction

for more products please visit us on [cnoec.com](http://cnoec.com)

### Basic Information

- Place of Origin: China
- Brand Name: CNOEC, OPTO-EDU
- Certification: CE, Rohs
- Model Number: A36.4952
- Minimum Order Quantity: 1 pc
- Price: FOB \$1~1000, Depend on Order Quantity
- Packaging Details: Carton Packing, For Export Transportation
- Delivery Time: 5~20 Days
- Payment Terms: T/T, West Union, Paypal
- Supply Ability: 5000 pcs/ Month



### Product Specification

- Resolution: 3.5M 2304\*1536 (3,538,944 Pixels)
- Sensor Optical Format: 1/3" (5.07mm(H)\*3.38mm(V), Diagonal 6.09mm)
- A36.4952 HDMI Digital Microscope Hardware Configuration Image Sensor: Aptina AR0330 CMOS Sensor
- Expose Mode: Rolling Shutter
- Pixel Size: 2.2 $\mu$ m\*2.2 $\mu$ m
- Dynamic Range: 69.5dB
- SNR(Signal Noise Ratio): 39dB
- Spectral Characteristics: 380-650nm
- Exposure Capability: Real-time Auto, Single Auto, Manual Adjustment
- White Balance: Real-time Auto, Single Auto, Manual Adjust R G B Separately
- Highlight: microscope accessory, parts of the microscope



### More Images



## Product Description

### OPTO- EDU A36.4952 8.8X ~ 480X Long Arm Video microscope For mobile phone repairing

#### Product Parameter

A36.4952 HDMI Digital Microscope	
<b>Hardware Configuration</b>	
Image Sensor	Aptina AR0330 CMOS Sensor
Expose Mode	Rolling Shutter
Maximum Resolution	3.5M 2304*1536 (3,538,944 Pixels)
Sensor Optical Format	1/3" (5.07mm(H)*3.38mm(V), Diagonal 6.09mm)
Pixel Size	2.2μm*2.2μm
Dynamic Range	69.5dB
SNR(Signal Noise Ratio)	39dB
Spectral Characteristics	380-650nm
Exposure Capability	Real-time auto, Single auto, Manual Adjustment
White Balance	Real-time Auto, Single Auto, Manual Adjust R G B separately
Display (preview ) Resolution	HDMI:1920*1080i60, 1920*1080P30, 1280*720P60, 640*480P60(Auto fit by monitor )
Record Format	<b>Snapshot</b> Picture Format: JPG Resolution: HDMI: 2304*1536, 2304*1296, 1920*1080, 1280*720, 800*480 <b>Record</b> Video Format: MOV Resolution: HDMI: 1280*720@30FPS, 800*480@30FPS
Record Route	HDMI: TF card (Maximum support 64G)
Power Supply	Power adapter: Input:AC 100~240V/50~60Hz;DC 12V/5A/60W Monitor: USB-A-Output:DC5V/2A*3

Lens Specifications		
Total Magnification	8.8x~480x (including digital magnification)	
Optical Magnification	0.7x~5x Optical Zoom Lens	
Optical Resolution(um)	When in 0.7x 16.78um	When in 3x 6.10um
	When in 1x 11.18um	When in 4x 4.79um
	When in 2x 8.39um	When in 5x 4.79um
Monitor Parameters		
Size	12.5"	
Type	a-Si TFT-LCD/IPS	
Resolution	1920x1080	
Color Display	16.7M	
Brightness	300 Nit	
Contrast	800:1	
Visible Angle	170° horizontal&vertical	

**OPTO-EDU**

# LCD HDMI & USB Digital Microscope

A36.4952

- 3.5M HDMI & USB Camera 1080i 60 FPS Preview
- Magnification 8.8x~480x With 12.5" HD 1080p LCD
- Manual Focusing Knob Extend To Long Working Distance
- Dual Coaxial LED Diffuse & External Light
- Rotatable & Flexible Bracket For Any Angles Observations



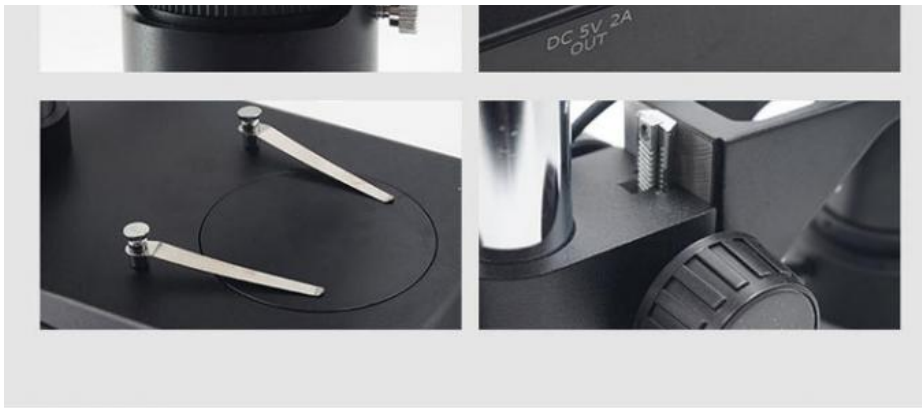
## Product Display

### PRODUCT DISPLAY

A36.4952

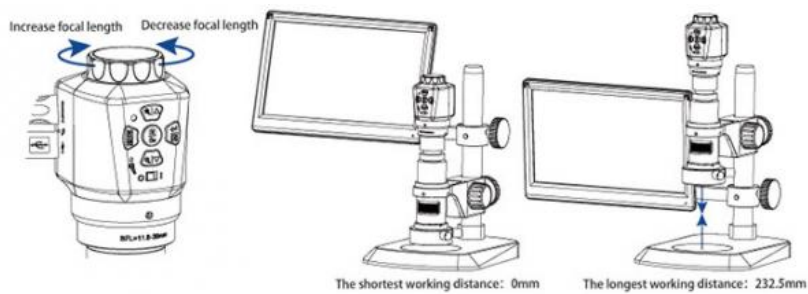






A36.4952 combined the traditional optical and electronic video technology, completely solves the disadvantage of the traditional microscope, which is easy to cause human fatigue when observed for a long time. A36.4962 integrates magnification imaging, monitor and LED lights into one. It is designed for fast and efficient observation of details

1. It has unique manual focus knob on top of camera helps you to produce the sharpest image within the working distance (0mm~232.5mm) when the observation object size changed from small to large. Avoid tedious adjustment work and directly change the working distance through eye-height adjustment ring and expand the original magnification ratio of the microscope



2. With the factory integrated 3.5MP 1080i 60fps digital camera and HD lens

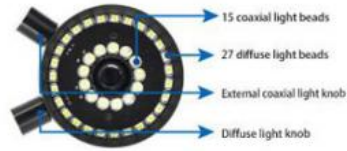
3. Easy to realize continuous zoom to overall magnification of 8.8X~480X (based on 12.5 monitor)



Working distance	When in 0.7X	0mm~232.5mm adjustable
	When in 1X	6mm~144.5 mm adjustable
	When in 2X	61mm~101.5mm adjustable
	When in 3X	77.5mm~95.5mm adjustable
	When in 4X	83.5mm~93.5mm adjustable
Depth of field	When in 0.7X	2mm~9.5mm
	When in 1X	2mm~3.3mm
	When in 2X	0.7mm~1mm
	When in 3X	0.46mm
	When in 4X	0.39mm
Observation range, adjustable (L x D)		31.6mm x 17.7mm~2.3mm x 1.3mm
Overall magnification (based on 12.5" monitor)	When in 0.7X	8.8X~35.8X
	When in 1X	17.3X~31.6X
	When in 2X	41.8X~45.4X
	When in 3X	62.7X~68.7X
	When in 4X	85.4X~94.3X
Digital Magnification	When in 5X	106.3X~119.4X
		4x by Camera

4. A36.4952 is equipped with the external coaxial light, which can uniformly illuminate the surface of the plane and the shiny surface, and enhance the features of marking, recessing or embossing. It can highlight the uneven surface of the object, overcome the interference caused by the reflection of the surface, and improve the microscope reproducibility.

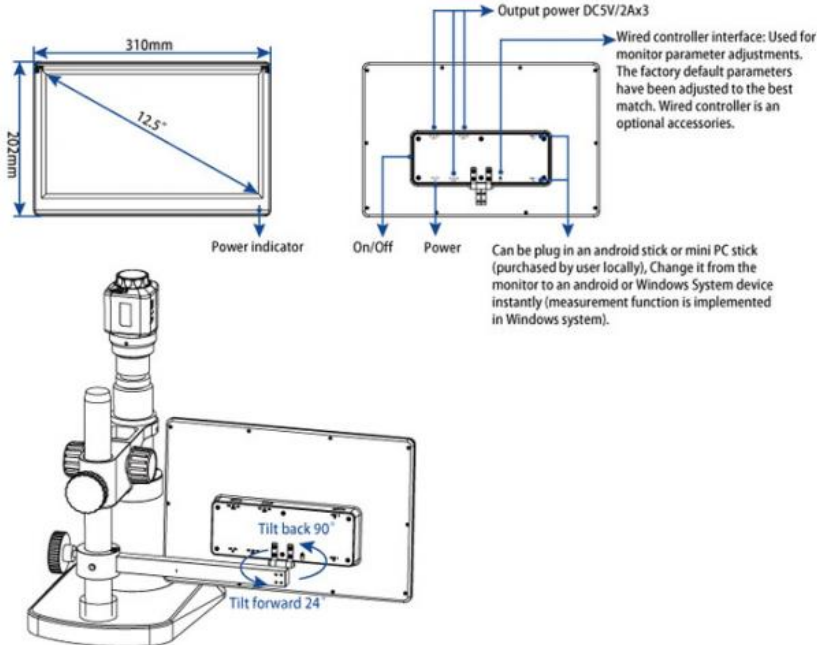
- Reduce glare under diffuse light.
- More conducive to the observation of the smooth surface, the highly reflective surface and the hard-to-reach area under external coaxial light.
- The two ring lights are independently controlled, and the brightness can be freely combined and adjusted according to the actual observation situation.
- It is powered by the monitor safe and reliable, and reduces the floor line, save space of working table.



	With diffuse light	With external coaxial light & diffuse light
PCB		 More details shown
Surface of glasses		 Clearer surface scars
Surface of metal		 Stronger sense of 3D

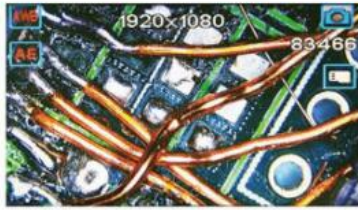
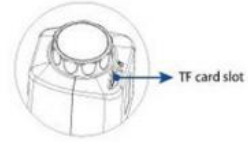
5. Outstanding ergonomics design with 360° universal shaft bracket, to hover randomly. It is flexible and easy to use, convenient for operator to view from different angles. Free up the operator's head and body, the work efficiency can be improved and fatigue can be reduced effectively.

6. Integrated solution -one device can achieve multiple function of low magnification tasks; Equipped with all-in-one 12.5 monitor, when needed, operator can fine-tune screen angle to look up (max 90°) or look down (max 24°)



7. Simple, easy to use image and video capture software is included as standard to allow you to use it instantly.

- Camera buttons can optimize camera settings, including white balance, exposure, sharpness, contrast, freeze, crosshairs, and more.
- The software menu supports 9 languages: English, Chinese (Simplified/Traditional), Japanese, Russian, French, German, Italian, and Spanish.
- The captured image supports JPG format.
- Recorded video supports MOV format, perfect for training.
- Equipped with TF card slot, support up to 64G TF card for image and video saving (self-provided TF card).

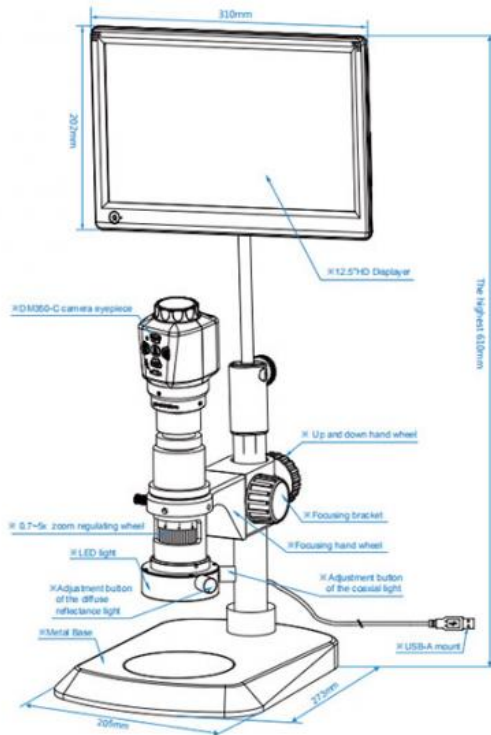


**Rich Functions**

- |                         |                 |                        |            |
|-------------------------|-----------------|------------------------|------------|
| Exposure                | HDR             | Key tone               | Freeze     |
| White balance           | Sharpness       | Auto turn off          | Reticle    |
| Resolution              | Snapshot mode   | Language               | Formatting |
| Continuous Capture Mode | Color           | Light source frequency | Default    |
| Image quality           | Instant preview | Image rotation         | Version    |



**Drawing Display**



**Application**

## APPLICATION AND CASE



### Packing & Delivery

## PACKING AND SHIPPING

**Packing :** Polyfoam Protection And Strong Carton

**Shipping Time :** 5~20 Days After Receive The Deposit



**Opto-Edu (Beijing) Co., Ltd.**

☎ 0086 13911110627

✉ [sale@optoedu.com](mailto:sale@optoedu.com)

🌐 [cnoec.com](http://cnoec.com)

F-1501 Wanda Plaza, No. 18 Shijingshan Road, Beijing 100043, China