



Student Laboratory Compound Optical Microscope OPTO-EDU A12.6603-B 40X-1000X

Our Product Introduction

for more products please visit us on cnoec.com

Basic Information

- Place of Origin: China
- Brand Name: CNOEC, OPTO-EDU
- Certification: CE, Rohs
- Model Number: A12.6603-B
- Minimum Order Quantity: 1 pc
- Price: FOB \$1~1000, Depend on Order Quantity
- Packaging Details: Carton Packing, For Export Transportation
- Delivery Time: 5~20 Days
- Payment Terms: T/T, West Union, Paypal
- Supply Ability: 5000 pcs/ Month



Product Specification

- Head: Seidentopf Binocular Head, Inclined 30°, Rotatable 360°, Interpupillary Distance: 48-75mm
- Eyepiece: WF10X/20mm (High Eyepoint)
- Objective: Achromatic, Plan, Infinty EPlan, Infinity Plan Objectives Optional, 100X Water Objective(Optional) Instead Of 100X Oil Objective, More Be Convenient For Using
- Nosepiece: High Precision Backward Quadruple Nosepiece
- Working Stage: Double Layers Mechanical Stage Size 145×140mm, Travel Range 76×52mm, Scale 0.1mm, With Double Slide Holder
- Condenser: Abbe Condenser N.A.1.25, Iris Diaphragm, Spiral Up/Down, With Filter Holder
- Attachment: Newly Designed Wire Winding Device For Easily Store Power Cord
- Light Source: High Brightness 3W LED Illumination With Aspheric Collector, Brightness Adjustable



More Images



Product Description

Student Laboratory Compound Optical Microscope OPTO-EDU A12.6603-B 40X-1000X

A12.6603 Laboratory biological microscope is a type of professional biological microscope for laboratory or school, equipped with high quality infinity optical system, provides excellent optical performance.

- Infinity Correct Optical System Supply High Resolution And Perfect Definition
- Aspheric 3W LED Light Source
- Drop-Style Integrated Appearance Design, Looks Elegant
- High Rigidity Body Struction Design Supply High Steady
- Low Position Operation For Convenient Using
- New Cable Holder For Easy Keeping Cable
- Holding Hole On Back For Easy Carrying And Watching

Best Model Of Infinity Plan Level Microscope!

China Industrial Best Design Award---Red Star Winner Product!

Uniqe Designed Dimming Objective 4x/10x, No Need To Lower Brightness When Use
Creative 100x Water Objective Instead Of I00x Oil Objective For Easy Use Without Oil
Elegant Design With Built-in Easy Handle For Easy Moving + Wire Winding Device



OPTO-EDU (BEIJING) CO., LTD.

F-1501 Wanda Plaza, No.18 Shijingshan Road, Beijing 100043, China
Tel:+8610 88696020 Fax:+8610 88696085

A12.6603

Biological Microscope

China Red Star Design Award



Unique Head And Frame Integrated Body To
Ensure The Stability Of Microscope Body



Unique Head And Frame Integrated Body & Integrated Design Of The Eyepiece Lens Barrel

Butterfly Type (Butterfly) Binocular Design, The Lens Barrel Can Be Rotated 360°, High Eyepoint Eyepiece, Which Is Convenient For People With Different Sitting Height; The Integrated Design Of The Eyepiece Lens Barrel, Avoids The Loss And Contamination Of The Eyepiece And Enhances The Integrated Performance Of The Microscope



Exclusive And Innovative Low-power Dimming Objective



**Mechanical Stage Size 145 × 140mm
Travel Range 76 × 52mm**

Exclusive And Innovative Low-power Dimming Objective & Mechanical Stage

No Need To Adjust The Brightness Between High And Low Power Objectives
Mechanical Stage Size 145×140mm, Travel Range 76×52mm



**Abbe Condenser N.A.1.25, Iris Diaphragm, Spiral Up/Down
3W LED Illumination With Aspheric Collector**

Condenser & Light Source

Abbe Condenser N.A.1.25, Iris Diaphragm, Spiral Up/Down, With Filter Holder
3W LED Illumination With Aspheric Collector



Coaxial Coarse & Fine Focusing



Observation Window At The Rear Of The Body



Wire Winding Device

Wire Winding Device & Observation Window At The Rear Of The Body

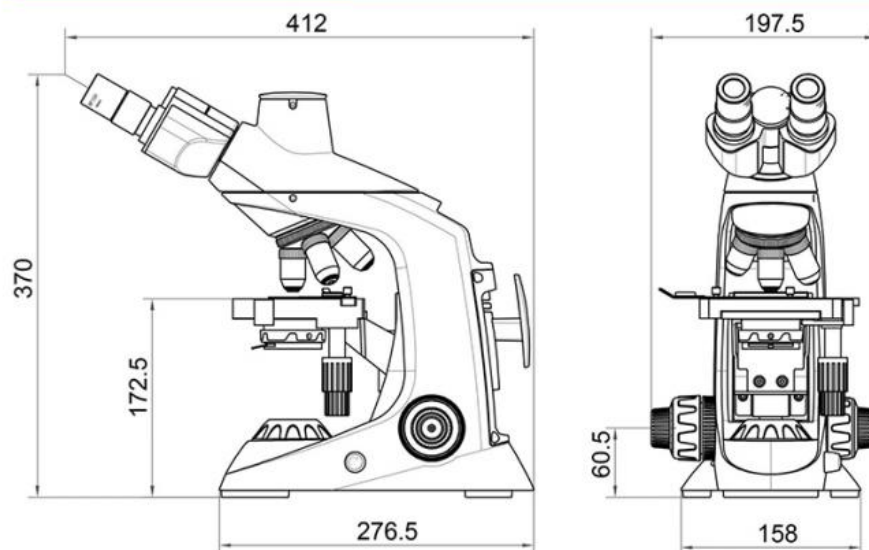
For Easy Handling And Storage; You Can See The Change Of Objective Magnification Even From The Back



Powered By Safety Low Voltage Charger, Input Wide Voltage 100V-240V, Output 5V1A, Support Power Bank Supply For Outdoor Use

Nosepiece	Quadruple, Backward	● ● ● ● ● ● ● ●	A54.2610-N03	
Infinity Eplan Objective	EPLAN 4x/0.10,W.D.=12.1mm	● ● ○ ○	A52.2605-4	
	EPLAN 10x/0.25,W.D.=4.14mm	● ● ○ ○	A52.2605-10	
	EPLAN 40x/0.65(S),W.D.=0.58mm	● ● ○ ○	A52.2605-40	
	EPLAN 100x/1.25(S, Oil),W.D.=0.19mm	● ● ○ ○	A52.2605-100	
Infinity Plan Objective	PLAN 2.5x/0.07,W.D.=8.47mm	○ ○ ○ ○	A52.2606-2.5	
	PLAN 4x/0.10.W.D.=12.1mm	○ ○ ● ●	A52.2606-4	
	PLAN 10x/0.25.W.D.=4.64mm	○ ○ ● ●	A52.2606-10	
	PLAN 20x/0.40(S).W.D.=2.41mm	○ ○ ○ ○	A52.2606-20	
	PLAN 40x/0.66(S).W.D.=0.65mm	○ ○ ● ●	A52.2606-40	
	PLAN 60x/0.80(S).W.D.=0.33mm	○ ○ ○ ○	A52.2606-60	
	PLAN 100x/1.25(S,Oil).W.D.=0.12mm	○ ○ ● ●	A52.2606-100	
	PLAN 100x/1.15(S,Water).W.D.=0.19mm	○ ○ ○ ○	A52.2606-100W	
Achromatic Objective	4x/0.1, W.D.=18.6mm		● ● ○ ○	A52.2601-4
	10x/0.25, W.D.=6.5mm		● ● ○ ○	A52.2601-10
	20x/0.40, W.D.=1.75mm		○ ○ ○ ○	A52.2601-20
	40x/0.6(S), W.D.=0.47mm		● ● ○ ○	A52.2601-40
	60x/0.80(S), W.D.=0.10mm		○ ○ ○ ○	A52.2601-60
	100x/1.25(S,O), W.D.=0.07mm		● ● ○ ○	A52.2601-100
Plan Objective	4x/0.1, W.D.=14.5mm		○ ○ ● ●	A52.2603-4
	10x/0.25, W.D.=5.65mm		○ ○ ● ●	A52.2603-10
	20x/0.40, W.D.=5.65mm		○ ○ ○ ○	A52.2603-20
	40x/0.6(S), W.D.=0.85mm		○ ○ ● ●	A52.2603-40
	100x/1.25(S,O), W.D.=0.07mm		○ ○ ● ●	A52.2603-100
Working Stage	Mechanical Stage Size 145×140mm, Travel Range 76×52mm, Scale 0.1mm, Double Slide Holder	● ● ● ● ● ● ● ●	A54.2601-S04	
	Rackless (Integrated) Stage, Size 140×135mm, Travel Range 75×35mm, Double Slide Holder	○ ○ ○ ○ ○ ○ ○ ○	A54.2601-S12	
Condenser	Abbe Condenser N.A.1.25, Iris Diaphragm, Spiral Up/Down, With Filter Holder	● ● ● ● ● ● ● ●	A56.2614-09	
Focusing	Coaxial Coarse & Fine Focusing, Coarse Focusing Travel Range: 25mm, Fine Focusing Scale 2μm/Division	● ● ● ● ● ● ● ●		
Light Source	3W LED Illumination With Aspheric Collector Powered By Safety Low Voltage Charger, Input Wide Voltage 100V-240V, Output 5V1A, Support Power Bank Supply For Outdoor Use	● ● ● ● ● ● ● ●	A56.2612-3W	
Adapter	1.0x C-Mount Focus Adjustable	○ ○ ○ ○ ○ ○ ○ ○	A55.2601-10	
	0.5x C-Mount Focus Adjustable	○ ○ ○ ○ ○ ○ ○ ○	A55.2601-05	
	0.75x C-Mount Focus Adjustable	○ ○ ○ ○ ○ ○ ○ ○	A55.2601-75	
	Digital Eyepiece Adapter, Dia.23.2mm/25mm	○ ○ ○ ○ ○ ○ ○ ○	A55.2610	
Dark Field	Dark Field Ring, For 4x~40x Objective	○ ○ ○ ○ ○ ○ ○ ○	A5D.2611-B	
Polarizing	Analyzer + Polarizer Set	○ ○ ○ ○ ○ ○ ○ ○	A5P.2601-B3	
Attachment	Wire Winding Device	● ● ● ● ● ● ● ●	A50.2602	
Package	Carton Size 345×260×455mm, 1 Unit/Ctn			
Weight	Gross Weight 7.0kgs, Net Weight 5.5kgs			
Note: "●" In Table Is Standard outfits, "○" Is Optional Accessories.				

Product Size(mm)



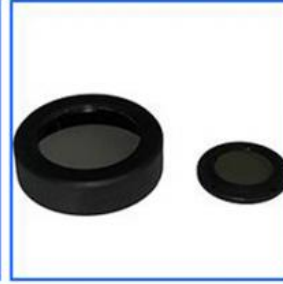
Product Accessories



A5D.2611-B
Dark Field Ring



A52.2606-100W
100x Water Objective



A5P.2601-B
Analyzer / Polarizer



Opto-Edu (Beijing) Co., Ltd.

☎ 0086 13911110627

✉ sale@optoedu.com

🌐 cnoec.com

F-1501 Wanda Plaza, No. 18 Shijingshan Road, Beijing 100043, China