

## 1000x Compound Optical Microscope A12.0205 Trinocular Led Light Source

Our Product Introduction

### Basic Information

- Place of Origin: China
- Brand Name: CNOEC, OPTO-EDU
- Certification: CE, Rohs
- Model Number: A12.0205
- Minimum Order Quantity: 1 pc
- Price: FOB \$1~1000, Depend on Order Quantity
- Packaging Details: Carton Packing, For Export Transportation
- Delivery Time: 5~20 Days
- Payment Terms: T/T, West Union, Paypal
- Supply Ability: 5000 pcs/ Month



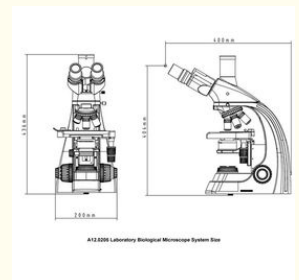
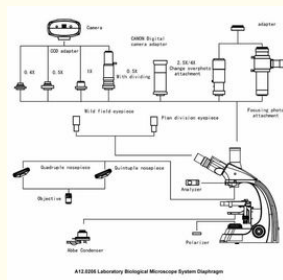
### Product Specification

- Optical System: Infinity Optical System
- Head: Trinocular Head, 360° Rotatable Head Adaptor For Easy Viewing Height Adjustable
- Eyepiece: WF10x/22mm Wide Field Eyepiece
- Nosepiece: Backward Quadruple Nosepiece, Ball Bearing Inner Locating
- Objective: Infinity Plan Achromatic Objective
- Working Stage: Rackless Double Layer Mechanical Stage 180\*150mm, Moving Range 75\*50mm
- Focusing: Coaxial Coarse & Fine Focus Knob, With Tension Adjustable And Limit Stopper, Minimum Division 0.002mm
- Condenser: Abbe Condenser N.A.1.25, Rack & Pinion Height Adjustable
- Filter: Blue Filter, Ground Glass
- Light Source: High Light LED, Brightness Adjustable
- Highlight: **binocular compound microscope,**



for more products please visit us on [cnoec.com](http://cnoec.com)

### More Images



## Product Description

Trinocular Led Light Source Compound Optical Microscope A12.0205 1000x

### Product Description

**A12.0205 Laboratory Biological Microscope**, Newly Designed in 2012, equipped with infinity plan achromatic objectives and wide field eyepieces. It have beautiful sculpt and provide clear image, wide field, convenience operation. It can be used for biology medicine agriculture and industry area widely. It is the ideal instrument in medical treatment, teaching demonstration and scientific research.

- High Quality Infinity Opitcal System
- 360° Rotatable Head Adaptor For Easy Viewing Height Adjustable
- Backward Quadruple Nosepiece, Ball Bearing Inner Locating
- Infinity Plan Achromatic Objective 4x,10x,20x,40x,60x,100x Available
- Newly Designed Rackless Mechanical Stage Avoid Hurt Operator's Hand
- Dark Field, Polarizing, Phase Contrast Attachment Optional

<b>A12.0205 Laboratory Biological Microscope</b>		
Optical System	Infinity Optical System	
Head	Trinocular Head, 30° Inclined, Interpupillary Distance 55~75mm, Both Eyepiece Tube Diopter Adjustable +/-5°, 100% Light Pass To Photo Tube 360° Rotatable Head Adaptor For Easy Viewing Height Adjustable	
Eyepiece	WF10x/22mm Wide Field Eyepiece	
Nosepiece	Backward Quadruple Nosepiece, Ball Bearing Inner Locating	
Objective	Infinity Plan Achromatic Objective: PL4x/0.10, W.D.21mm PL10x/0.25, W.D. 5.0mm PL40x/0.65, W.D. 0.66mm, Spring PL100x/1.25, W.D.0.36mm, Spring, Oil	
Working Stage	Rackless Double Layer Mechanical Stage 180*150mm, Moving Range 75*50mm	
Focusing	Coaxial Coarse & Fine Focus Knob, With Tension Adjustable And Limit Stopper, Minimum Division 0.002mm	
Condenser	Abbe Condenser N.A.1.25, Rack & Pinion Height Adjustable	
Filter	Blue Filter, Ground Glass	
Light Source	High Light LED, Brightness Adjustable	
<b>A12.0205 Laboratory Biological Microscope Optional Accessories</b>		
Eyepiece	Retical Eyepiece, WF10x/22mm, Micrometer Div 0.1mm	A51.0205-G10B
Objective	Infinity Plan Achromatic Objective PL20x/0.40, W.D.8.8mm	A52.0206-20
	Infinity Plan Achromatic Objective PL60x/0.85, W.D.0.25mm	A52.0206-60
Filter	Green Filter	A56.0209-02
	Yellow Filter	A56.0209-03
Phase Contrast	Centering Telescope	A5C.0212-2
	Infinity Plan Phase Contrast Objective 10x/0.25 PHP	A5C.0234-P10
	Infinity Plan Phase Contrast Objective 20x/0.40 PHP, Spring	A5C.0234-P20
	Infinity Plan Phase Contrast Objective 40x/0.65 PHP, Spring	A5C.0234-P40
	Infinity Plan Phase Contrast Objective 100x/1.25 PHP, Spring, Oil	A5C.0234-P100
	Sliding Phase Contrast Condenser	A5C.0210-12
Polarizing	Simple Polarizing Set Polarizer, 360° Rotatable, Used On Base Light Collector Analyzer Slide, Inserted Into Hole On Nosepiece	A5P.0201-2
Dark Field	Dark Field Condenser, Dry	A5D.0211-D
	Dark Field Condenser, Immersion	A5D.0211-I
Adapter	CCD Adapter 0.4x	A55.0202-01
	CCD Adapter 0.5x	A55.0202-04
	CCD Adapter 1.0x	A55.0202-02
	CCD Adapter 0.5x With Dividing 0.1mm/Divv	A55.0202-03
	Digital SLR Camera Adapter for Canon EF Series	A55.0204-02

www.cnoec.com



A12.0205 Laboratory Biological Microscope



A12.0205 Laboratory Biological Microscope



**Simple Polarizing Attachment Optional**  
Polarizer Used On Light Collector Of Base,  
Analyzer Inserted Into Hole on Nosepiece



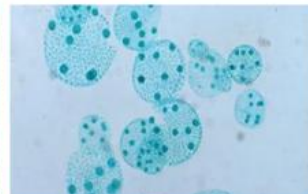
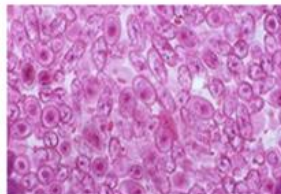
**Rackless Working Stage**  
New Rackless Design Avoid Hurt Operator's Hand,  
Large Size 180\*150mm, Moving Range 75\*50mm



**Back Handle Design**  
For Easy Carrying The Microscope By One Hand



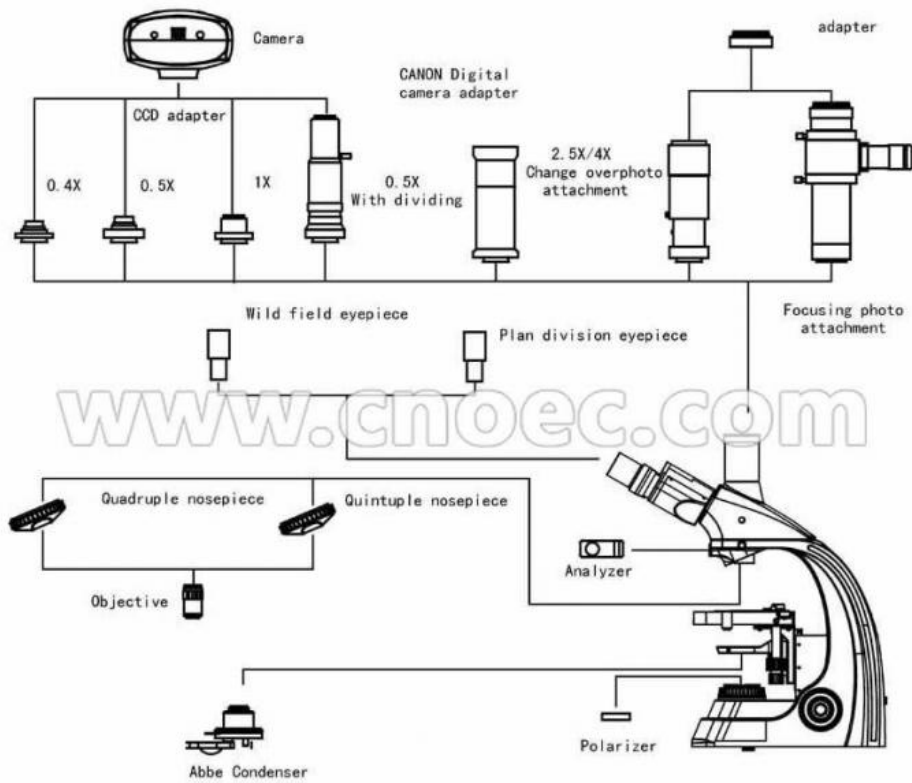
**360° Rotatable Head Adaptor For**  
Easy Viewing Height Adjustable



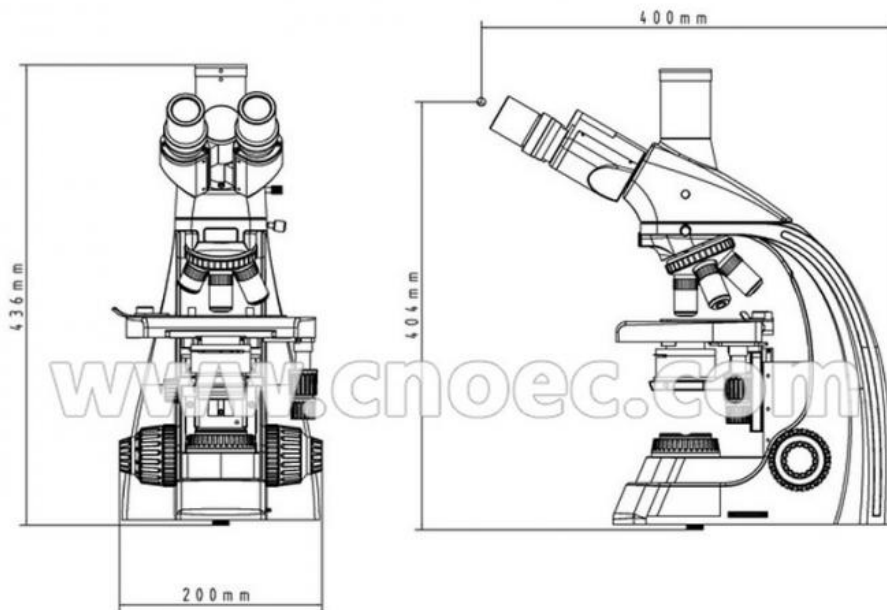
[www.cnoec.com](http://www.cnoec.com)



**A12.0205 Laboratory Biological Microscope**  
Trinocular Head, Both Eyepiece Tube Diopter Adjustable,  
With WF10x/22mm Wide Field Plan Eyepiece



A12.0205 Laboratory Biological Microscope System Diaphragm



A12.0205 Laboratory Biological Microscope System Size

---

Company Information



📍 OPTO-EDU is you're looking for, isn't it?

**OPTO-EDU** *cnoptec*

<p>25+ Yeas Professional Experience Know Microscopes Best</p> <p><b>150+</b> 150+ Microscope &amp; Accessory Manufacturers From</p> <p><b>25+</b></p>	<p>200+ Hot Sale &amp; Newest Update Microscope Model Every Month</p> <p><b>200+</b></p>	<p>1200+ Microscope Models To Creat One-Stop Purchase Platform</p> <p><b>720+</b> 720+ Customers From All Over World Keep Rising</p> <p><b>1200+</b></p>	<p> Top Seller For Microscope on Alibaba Recommend</p>	<p>OPTO-EDU As Famous Brand For Microscope In China &amp; USA</p> <p> Most Professional Sale Team Supply Best Microscope</p> <p></p>
---	--	--	---	---

 **Our Team And Our Factory.**

OPTO-EDU, as one of the most professional manufacturer and supplier of microscope in China, our sub-brand CNOPTEC series high end biological, laboratory, polarizing, metallurgical, fluorescene microscopes, CNCOMPARISON series forensic microscope, A63 series SEM microscope, and .49 series digital camera, LCD camera are very popular in the world market.



😊 I'm OPTO-EDU, nice to meet you!



👍 Trust us, we will give you a guarantee.

Direct factory price!  
 3 years quality warranty!  
 Payment by T/T, PayPal, West Union to LC!  
 Ranked No.1 supplier for microscope on alibaba.com!  
 Special price support OPTO-EDU/CNOPTEC distributor!

**Opto-Edu (Beijing) Co.,Ltd.**

Transaction Level

41 Transaction(s)(6months)    Response Rate  
\$ 1,400,000+    100.0%

The Supplier Supports Trade Assurance-A Free Service That Protects Your Orders From Payment To Delivery.  
 Supplier's Trade Assurance Limit: US \$379,000



**Opto-Edu (Beijing) Co., Ltd.**

☎ 0086 13911110627    ✉ sale@optoedu.com    🌐 cnoec.com

F-1501 Wanda Plaza, No. 18 Shijingshan Road, Beijing 100043, China