



## LED A12.2601-BT 400X Student Compound Microscope WF10x High Precision

Our Product Introduction

### Basic Information

- Place of Origin: China
- Brand Name: CNOEC, OPTO-EDU
- Certification: CE, Rohs
- Model Number: A12.2601
- Minimum Order Quantity: 1 pc
- Price: FOB \$1~1000, Depend on Order Quantity
- Packaging Details: Carton Packing, For Export Transportation
- Delivery Time: 5~20 Days
- Payment Terms: T/T, West Union, Paypal
- Supply Ability: 5000 pcs/ Month



### Product Specification

- Eyepiece: WF10x
- Nosepiece: 4 Holes
- Objective: Achromatic, Achromatic Plan, Infinity EPlan, Infinity Plan 4x10x40x100x
- Working Stage: Working Stage
- Condenser: Abbe N.A.1.25
- Focusing: Coaxial Coarse & Finem, Moving Range 75\*50mm
- Light Source: LED
- Power Supply: 100~240V
- Highlight: **binocular compound microscope, wide field microscope**



### More Images



for more products please visit us on [cnoec.com](http://cnoec.com)

## Product Description

OPTO-EDU A12.2601-BT 400X Double Layer Mechanical Trinocular Laboratory Metal Microscope

A12.2601 Laboratory Microscope, new design with high quality optical system, supplying clear image, is good to be used in high school, university for student. Color can be made according to customer's requirement, new concept in microscope field.

- ◆ Entry Level Laboratory Microscope With Full Range Upgrade Extension
- ◆ Can Use 40x LWD Infinity Plan Objective W.D.=3.0m To Avoid Contaminated By Cedar Oil
- ◆ Creative 100x Water Objective Instead Of 100x Oil Objective For Easy Use Without Oil
- ◆ High Rigidity Body Struction Design Supply High Steady And Easy Handle
- ◆ Different Color Available To Customrize Your Model!



OPTO-EDU (BEIJING) CO., LTD.

F-1501 Wanda Plaza, No.18 Shijingshan Road, Beijing 100043, China  
Tel:+8610 88696020 Fax:+8610 88696085

## A12.2601 Laboratory Biological Microscope





**Seidentopf Head Inclined 30°  
Rotatable 360° , Interpupillary Distance 48-75mm**

**Seidentopf Head**

Inclined 30°, Rotatable 360°, Interpupillary Distance 48-75mm, High Eyepoint Eyepiece, Which Is Convenient For People With Different Sitting Height; The Integrated Design Of The Eyepiece Lens Barrel, Avoids The Loss And Contamination Of The Eyepiece And Enhances The Integrated Performance Of The Microscope



**Exclusive And Innovative Low-power Dimming Objective**

**Quadruple, Backward**

4 Sets Objective Available: Achromatic, Plan, Infinity E-Plan, Infinity Plan.



Mechanical Stage Size 145 × 140mm  
Travel Range 76 × 52mm

**Double Slide Holder Working Stage**

Mechanical Stage Size: 145 mm×140mm, Travel: 76mm×52mm, Scale: 0.1mm



Abbe Condenser N.A.1.25, Iris Diaphragm, Rack & Pinion Up/Down



**3W-LED Illumination Systems**

**Condenser & Light Source**

Abbe Condenser N.A.1.25, Iris Diaphragm, Rack & Pinion Up/Down, With Filter Holder  
3W-LED Illumination Systems



Coaxial Coarse & Fine Focusing



Holding Hole On Back



Wire Winding Device



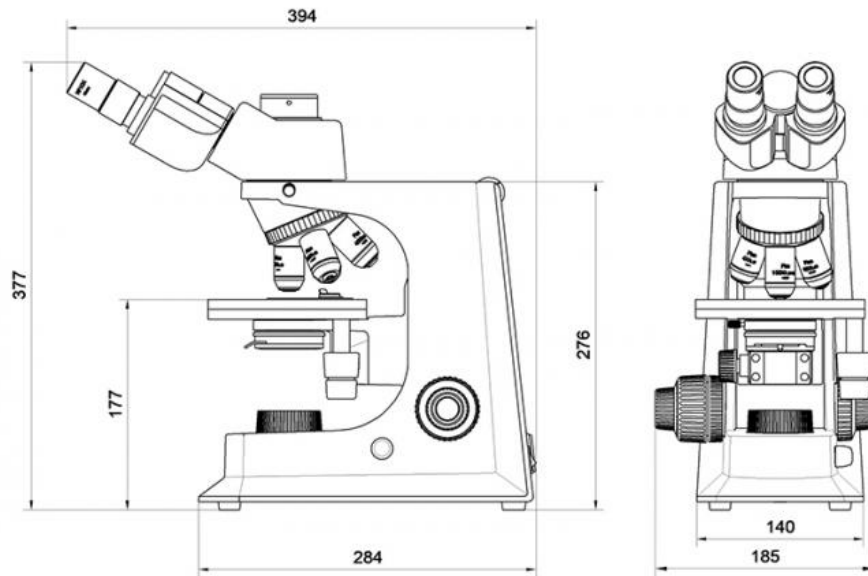
Powered By Safety Low Voltage Charger, Input Wide Voltage 100V-240V, Output 5V1A, Support Power Bank Supply For Outdoor Use



Phase Contrast	Infinity Plan Phase Contrast Objective 20x + Phase Contrast Slide 20x + Phase Contrast Condenser + Telescope 11x + Green Filter	○	○	○	○	○	○	○	○	A5C.2601-20
	Infinity Plan Phase Contrast Objective 40x + Phase Contrast Slide 40x + Phase Contrast Condenser + Telescope 11x + Green Filter	○	○	○	○	○	○	○	○	A5C.2601-40
	Infinity Plan Phase Contrast Objective 100x + Phase Contrast Slide 100x + Phase Contrast Condenser + Telescope 11x + Green Filter	○	○	○	○	○	○	○	○	A5C.2601-100
	Turret Phase Contrast Attachment Infinity Plan Phase Contrast Objective 10x20x40x100x, Turret Phase Contrast Condenser 5-Holes, Telescope 11x, Green Filter	○	○	○	○	○	○	○	○	A5C.2603-S
Fluorescence Unit	<b>Upgrade to A16.2601-B2/T2 Fluorescence Microscope With:</b> B,G China Fluorescent Set 100W Mercury Lamp House 100W Mercury Power Box, Digital Disp. 6 Holes Disc Fluorescent Unit Ultraviolet Protection Barrier Centering Objective China 100W Mercury Lamp 2 pcs						○	○		A5F.2601-2
	<b>Upgrade to A16.2601-B4/T4 Fluorescence Microscope With:</b> B,G,U,UV China Fluorescent Set 100W Mercury Lamp House 100W Mercury Power Box, Digital Disp. 6 Holes Disc Fluorescent Unit Ultraviolet Protection Barrier Centering Objective China 100W Mercury Lamp 2 pcs						○	○		A5F.2601-4
	<b>Upgrade to A16.2601-LB2/LT2 Fluorescence Microscope With:</b> B,G China Fluorescent Set 6 Holes Disc Fluorescent Unit 5W LED Lamp House 5W LED Power Box Ultraviolet Protection Barrier						○	○		A5F.2602-2
	<b>Upgrade to A16.2601-LB4/LT4 Fluorescence Microscope With:</b> B,G,U,UV China Fluorescent Set 6 Holes Disc Fluorescent Unit 5W LED Lamp House 5W LED Power Box Ultraviolet Protection Barrier						○	○		A5F.2602-4
Adapter	C-Mount 0.5x, Focus Adjustable	○	○	○	○	○	○	○	○	A55.2601-05
	C-Mount 0.75x, Focus Adjustable	○	○	○	○	○	○	○	○	A55.2601-75
	C-Mount 1.0x, Focus Adjustable	○	○	○	○	○	○	○	○	A55.2601-10
	Digital Eyepiece Camera Adapter, Dia. 23.2mm/25mm	○	○	○	○	○	○	○	○	A55.2610
Mirror	Reflecting Mirror & Holder	○	○	○	○	○	○	○	○	A56.2601
Attachment	Wire Winding Device	○	○	○	○	○	○	○	○	A50.2602-S
Package	Carton Size 390×280×450mm, 1 Unit/Ctn									
Weight	Gross Weight: 7.5 kgs, Net Weight: 6.5 kgs									
Note: "●" In Table Is Standard outfits, "○" Is Optional Accessories										



## Product Size(mm)



## Product Accessories



**A51.2602-1018**  
WF10x/18mm

**A51.2602-1020**  
WF10X/20mm  
(High Eyepoint)

**A52.2605**  
Infinity E-Plan Objective



**A52.2606**  
Infinity Plan Objectives



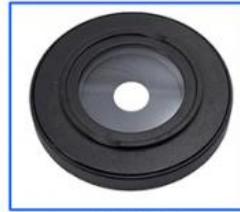
**A52.2601**  
Achromatic Objective



**A55.2610**  
Digital Eyepiece  
Camera Adapter



**A51.2603**  
Plan Objective



**A56.2615-S**  
Field Diaphragm



**A55.2601-10**  
C-Mount 1.0x,  
Focus Adjustable



**A5P.2601-S**  
Analyzer + Polarizer Set



**A56.2601**  
Reflecting Mirror & Holder



**A55.2601-75**  
C-Mount 0.75x,  
Focus Adjustable



**A5D.2610-S**  
Dark Field Condenser, Dry



**A54.2601-S12**  
Rackless (Integrated) Stage



**A56.2616**  
Filter : Blue, Green, Yellow



**A55.2601-05**  
C-Mount 0.5x,  
Focus Adjustable



**A5C.2601**  
**Phase Contrast Objective + Side + Condenser + Telescope + Green Filter**



**A5C.2603-S**  
**Turret Phase Contrast Attachment**

### Product Multi-angle



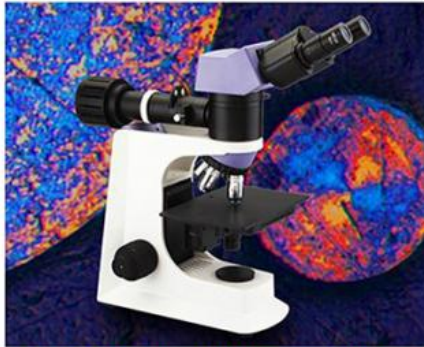
## Product Upgrade



A16.2601 Fluorescence Microscope



A16.2601-L LED Fluorescence Microscope



A13.2605 Metallurgical Microscope(Reflect)



A15.2603 Polarizing Microscope(Transmit)



**Opto-Edu (Beijing) Co., Ltd.**

☎ 0086 13911110627

✉ [sale@optoedu.com](mailto:sale@optoedu.com)

🌐 [cnoec.com](http://cnoec.com)

F-1501 Wanda Plaza, No. 18 Shijingshan Road, Beijing 100043, China