



Mechanical Trinocular Laboratory Metal Microscope Double Layer LED OPTO-EDU A12.2602 400X

Our Product Introduction

for more products please visit us on cnoec.com

Basic Information

- Place of Origin: China
- Brand Name: CNOEC, OPTO-EDU
- Certification: CE, Rohs
- Model Number: A12.2602
- Minimum Order Quantity: 1 pc
- Price: FOB \$1~1000, Depend on Order Quantity
- Packaging Details: Carton Packing, For Export Transportation
- Delivery Time: 5~20 Days
- Payment Terms: T/T, West Union, Paypal
- Supply Ability: 5000 pcs/ Month



Product Specification

- Eyepiece: WF10x/20
- Nosepiece: 5 Holes
- Objective: Infinity Plan 4x10x40x100x
- Working Stage: Double Layer Mechanical
- Condenser: Abbe N.A.1.25
- Focusing: Coaxial Coarse & Fine
- Light Source: LED
- Power Supply: 100~240V
- Magnification: 40x,100x,200x,400x,1000x
- Highlight: **binocular compound microscope, wide field microscope**



More Images



Product Description

OPTO-EDU A12.2602 40X~1000X Trinocular Laboratory Biological Microscope With Double Layer Mechanical

A12.2602 is a type of laboratory biological microscope, it is designed for college teaching and hospital. It is the original style which can upgrade to A12.2603 microscopes. The features of steady structure, convenient operation and clear image is suitable for observing various biological specimens, and mostly applied in college and hospital.



OPTO-EDU (BEIJING) CO., LTD.

F-1501 Wanda Plaza, No.18 Shijingshan Road, Beijing 100043, China
Tel:+8610 88696020 Fax:+8610 88696085

A12.2602

Laboratory Biological Microscope





Trinocular Head Light Split Optional Between Switch E100:P0/E0:P100 And Fixed E80:P20
In Fixed Light Split, Eyepiece 80% : Photo 20% User Can View Image At Same Time In Both Path
In Switch Light Split, Eyepiece 100%:Photo 0% / Eyepiece 0%:Photo 100%, Camera Can Have 100% Light For Photo Capture.



Quintuple, Backward

Large Size High Precision Quintuple Nosepiece, With Polarizing Analyzer Slot, Infinity Plan Objective 4x,10x,20x,40x,100x Available



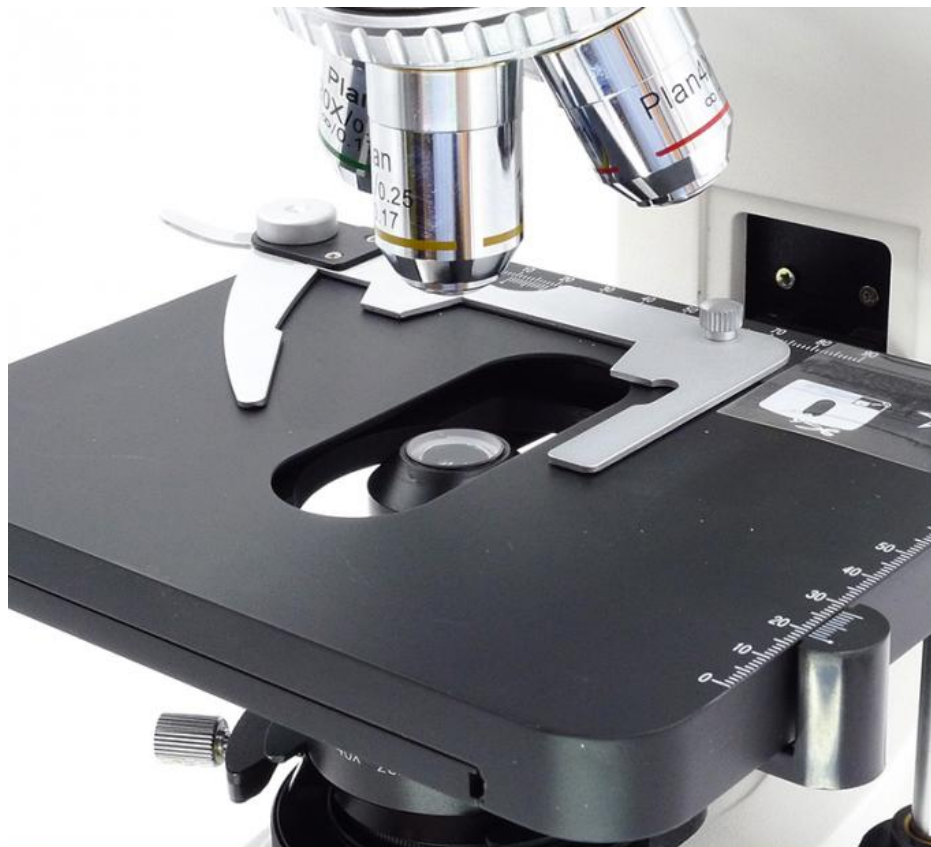
Abbe Condenser N.A.1.25, Iris Diaphragm
Rack & Pinion Up/Down

Abbe Condenser N.A.1.25

Iris Diaphragm, Rack & Pinion Up/Down, With Filter Holder, With Iris Scale For 4x10x20x40x100x Marked On Condenser.



3W LED Koehler Illumination, Field Diaphragm



Mechanical Stage Size 185 mm × 145mm

Working Stage

Mechanical Stage Size 185 mm×145mm, Travel 76mmX52mm
Scale: 0.1mm, Double Slide Holder



Powered By Safety Low Voltage Charger, Input Wide Voltage 100V-240V, Output 5V1A, Support Power Bank Supply For Outdoor Use

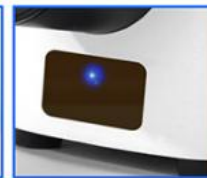
Product Accessories



A51.2602-1020
WF10X/20mm
(High Eyepoint)



A52.2606
Infinity Plan Objective



A56.2660
ECO, Auto
Power Off System



A56.2614-07a
Swing-out Condenser



A56.2610-BK
Dark Field
Condenser, Dry



A56.2610-BKW
Dark Field
Condenser, Immersion



A55.2610
Digital Eyepiece
Camera Adapter



A5P.2601-BK Analyzer + Polarizer Set



A55.2601-10
C-Mount 1.0x,
Focus Adjustable



A55.2601-75
C-Mount 0.75x,
Focus Adjustable



A5C.2602 Simple Phase Contrast Attachment



A54.2601-S10
Rackless (Integrated)
Mechanical Stage



A55.2601-05
C-Mount 0.5x,
Focus Adjustable



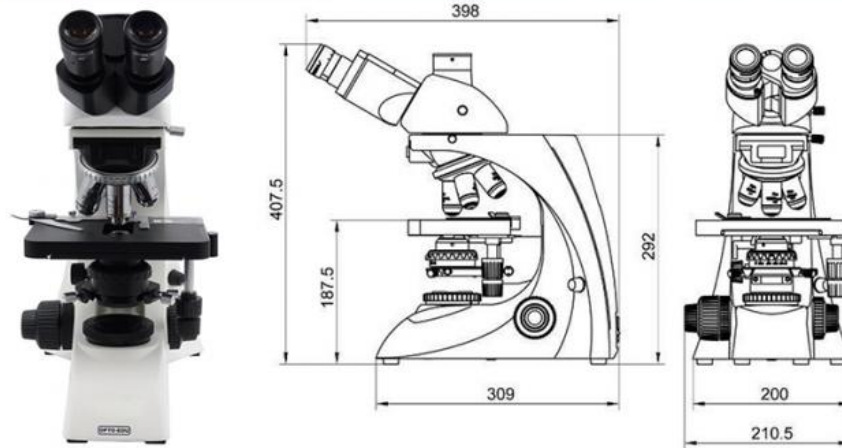
**A5C.2603 Turret
Phase Contrast Attachment**

Items	A12.2602 Laboratory Biological Microscope Specification	-B	-T	Cata. No.
Head	Seidentopf Binocular Head Inclined 30°, Rotatable 360°, Interpupillary Distance 48-75mm	●	○	A53.2622-B
	Seidentopf Trinocular Head Inclined 30°, Rotatable 360°, Interpupillary Distance 48-75mm, Light Split Switch E100:P0/E0:P100	○	●	A53.2622-T
	Seidentopf Trinocular Head Inclined 30°, Rotatable 360°, Interpupillary Distance 48-75mm, Light Split Fixed E80:P20		○	A53.2622-Ta
Eyepiece	WF10X/20mm (High Eyepoint)	●●	●●	A51.2602-1020
Nosepiece	Quintuple, Backward	●	●	A54.2610-N01
Infinity Plan Objective	PLAN 2.5X/0.07, W.D.=8.47mm	○	○	A52.2606-2.5
	PLAN 4X/0.10, W.D.=12.10mm	●	●	A52.2606-4
	PLAN 10X/0.25, W.D.=4.64mm	●	●	A52.2606-10
	PLAN 20X/0.40(S), W.D.=2.41mm	○	○	A52.2606-20
	PLAN 40X/0.66(S), W.D.=0.65mm	●	●	A52.2606-40

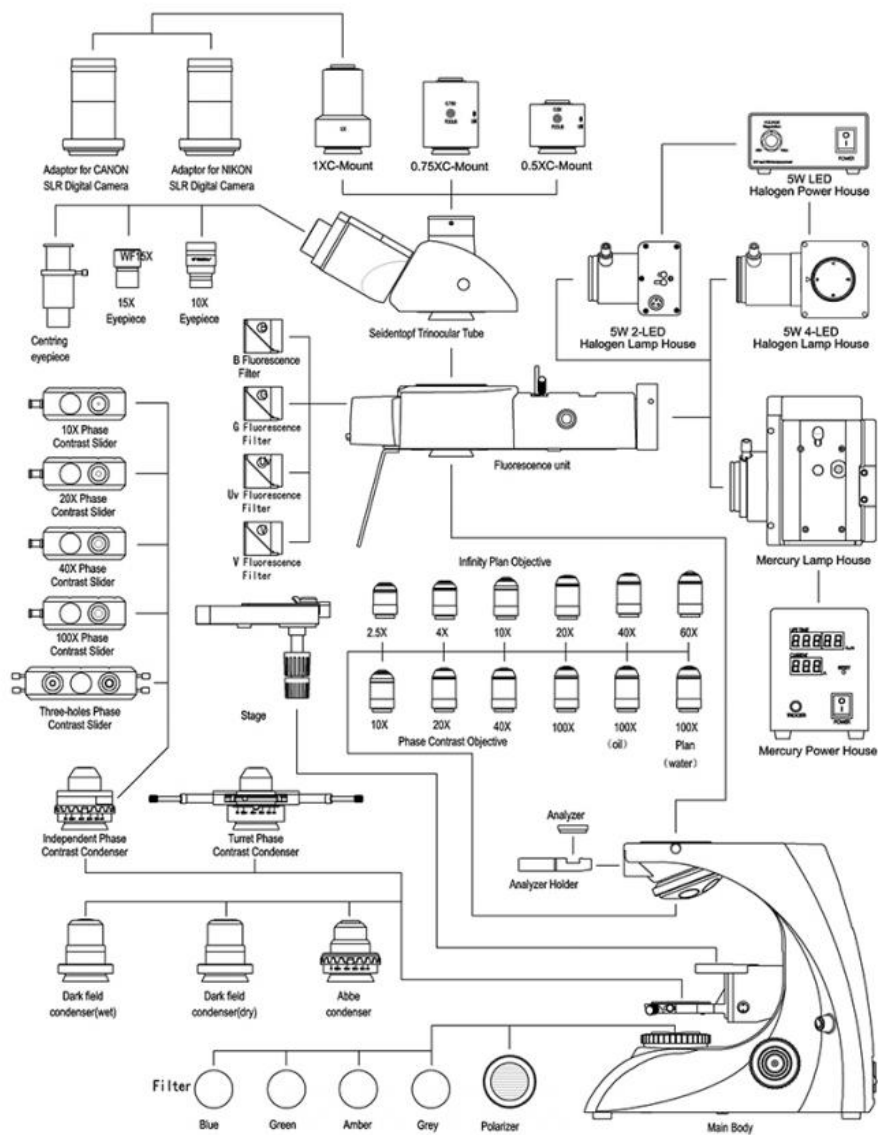
	PLAN 60X/0.80(S),W.D.=0.33mm	○	○	A52.2606-60
	PLAN 100X/1.25(S,Oil),W.D.=0.12mm	●	●	A52.2606-100
	PLAN 100X/1.15(S,Water),W.D.=0.19mm	○	○	A52.2606-100W
Working Stage	Mechanical Stage Size 185 mm×145mm, Travel 76mmX52mm, Scale: 0.1mm, Double Slide Holder	●	●	A54.2601-S01
	Rackless (Integrated) Mechanical Stage, Size 182×140mm, Travel Range 77×52mm, Double Slide Holder	○	○	A54.2601-S10
Focusing	Coaxial Coarse & Fine Focusing, Coarse Focusing Travel Range: 22mm, Fine Focusing Div. 0.002mm	●	●	
Condenser	Abbe Condenser N.A.1.25, Iris Diaphragm, Rack & Pinion Up/Down	●	●	A56.2614-01d
	Swing-out Condenser,N.A.0.9/0.13,Iris Diaphragm	○	○	A56.2614-07a
Illumination	3W LED Koehler Illumination, Field Diaphragm Powered By Safety Low Voltage Charger, Input Wide Voltage 100V-240V, Output 5V1A, Support Power Bank Supply For Outdoor Use	●	●	A56.2612-3W
	12V20W Halogen Koehler Illumination, With Field Diaphragm Power Supply Wide Voltage 100V~240V	○	○	A56.2650-20W
	6V30W Halogen Koehler Illumination, With Field Diaphragm Power Supply Wide Voltage 100V~240V	○	○	A56.2650-30W
Field Diaphragm	For Kohler Illumination	●	●	A56.2615-BK
Power	ECO, Auto Power Off System. Power Off Automatically Upon User Leaving 10 Minutes, Power On Automatically Upon User Approaching Detected, This Function Can Be Shut Down Manually	○	○	A56.2660
Filter	Dia.45mm, Blue	○	○	A56.2616-45B
	Dia.45mm, Green	○	○	A56.2616-45G
	Dia.45mm, Yellow	○	○	A56.2616-45A
Dark Field	Dark Field Condenser, Dry, N.A.0.83-0.91, For 4x10x40x Objective	○	○	A5D.2610-BK
	Dark Field Condenser, Immersion, N.A.1.3, For 100x Objective	○	○	A5D.2610-BKW
Polarizing	Analyzer + Polarizer Set	○	○	A5P.2601-BK
Phase Contrast	Infinity Plan Phase Contrast Objective 10x + Phase Contrast Slide 10x + Phase Contrast Condenser + Telescope 11x + Green Filter	○	○	A5C.2602-10
	Infinity Plan Phase Contrast Objective 20x + Phase Contrast Slide 20x + Phase Contrast Condenser + Telescope 11x + Green Filter	○	○	A5C.2602-20
	Infinity Plan Phase Contrast Objective 40x + Phase Contrast Slide 40x + Phase Contrast Condenser + Telescope 11x + Green Filter	○	○	A5C.2602-40
	Infinity Plan Phase Contrast Objective 100x + Phase Contrast Slide 100x + Phase Contrast Condenser + Telescope 11x + Green Filter	○	○	A5C.2602-100
	Turret Phase Contrast Attachment Infinity Plan Phase Contrast Objective 10x20x40x100x, Turret Phase Contrast Condenser 5-Holes, Telescope 11x, Green Filter	○	○	A5C.2603-BK
Fluorescence	Upgrade to A16.2602-T2 Fluorescence Microscope With A5F.2601-2: B,G China Fluorescent Set 100W Mercury Lamp House 100W Mercury Power Box, Digital Disp. 6 Holes Disc Fluorescent Unit Ultraviolet Protection Barrier Centering Objective China 100W Mercury Lamp 2 pcs		○	A5F.2601-2
Fluorescence	Upgrade to A16.2602-T4 Fluorescence Microscope With A5F.2601-4: B,G,U,UV China Fluorescent Set 100W Mercury Lamp House 100W Mercury Power Box, Digital Disp. 6 Holes Disc Fluorescent Unit Ultraviolet Protection Barrier Centering Objective China 100W Mercury Lamp 2 pcs		○	A5F.2601-4
	Upgrade to A16.2602-LT2 Fluorescence Microscope With A5F.2602-2: B,G China Fluorescent Set 6 Holes Disc Fluorescent Unit 5W LED Lamp House 5W LED Power Box Ultraviolet Protection Barrier		○	A5F.2602-2
	Upgrade to A16.2602-LT4 Fluorescence Microscope With A5F.2602-4: B,G,U,UV China Fluorescent Set 6 Holes Disc Fluorescent Unit 5W LED Lamp House 5W LED Power Box Ultraviolet Protection Barrier		○	A5F.2602-4
Adapter	C-Mount 0.5x, Focus Adjustable	○	○	A55.2601-05
	C-Mount 0.75x, Focus Adjustable	○	○	A55.2601-75
	C-Mount 1.0x, Focus Adjustable	○	○	A55.2601-10
	Digital Eyepiece Camera Adapter, Dia. 23.2mm/25mm	○	○	A55.2610
Package	Carton Size 542×265×350mm, 1 Unit/Ctn			
Weight	Gross Weight: 12 kgs, Net Weight: 10 kgs			

Note: "●"In Table Is Standard outfits, "○" Is Optional Accessories

Product Size(mm)



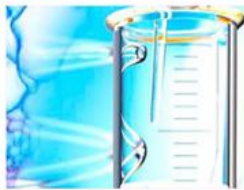
General Layout Diagram



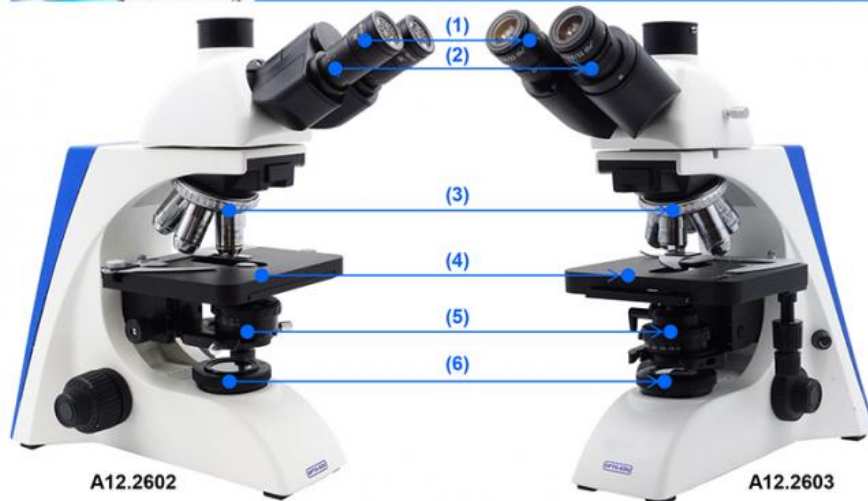
Product Multi-angle



A12.2602 Upgraded To A12.2603



- (1) Head Upgrade To Large Size With Eyepiece Tube Dia.30mm
- (2) Eyepiece Upgrade To Dia.30mm Diopter Adjustable
- (3) Standard Objectives Upgrade To 5 pcs With 20x
- (4) Working Stage Upgrade To Large Size Rackless 182x140mm
- (5) Condenser Upgrade To Swing Out Condenser N.A.0.9/0.13
- (6) Light Source Upgrade to 6V30W High Brightness + Blue Filter



Opto-Edu (Beijing) Co., Ltd.

☎ 0086 13911110627

✉ sale@optoedu.com

🌐 cnoec.com

F-1501 Wanda Plaza, No. 18 Shijingshan Road, Beijing 100043, China