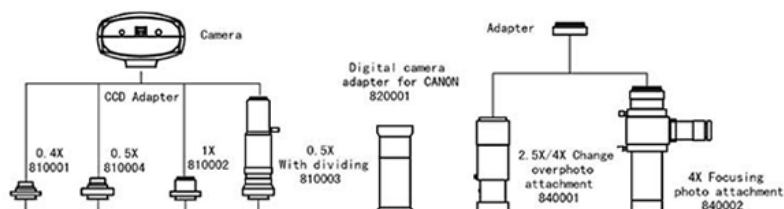
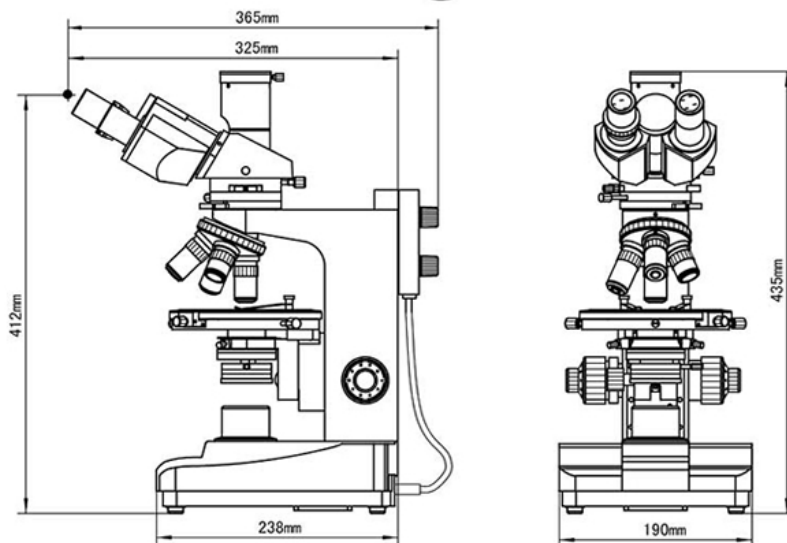


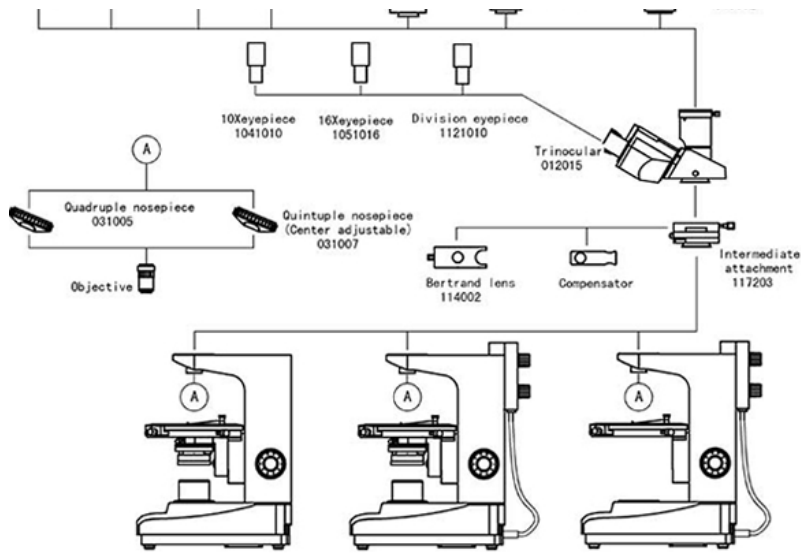
Product Description

A15.0203 series transmitted and reflected polarization microscopes are utilized polarize light to observe and research the matter which have double refraction features, the user can make single polarizing observation, orthoscopic observation, conoscopic observation. They are applied in geology, chemicals, physic and leechdom fields. They are also widely used to observe the crystal of liquid macromolecule polymer, biomedical polymer and liquid crystal. They are the ideal instruments for scientific research and universities teaching demo.

Features

- Transmitted, Reflected, transmitted/reflected illumination can be choosn
- Equipped with strain-free plan objectives(center adjustable) and wide field eyepiece
- Coaxial coarse/fine focus system with tensional adjustable and up stop, minimum division of fine focusing: 2 μ m
- Rotatable stage, 360° graduated in 1° increments, minimum retardation resolution 6' center adjustable and with tightener Stage vertical effective movement up to 30mm
- Wide voltage range power supply (85-265V 47-60HZ), 6V20W halogen lamp, brightness adjustable

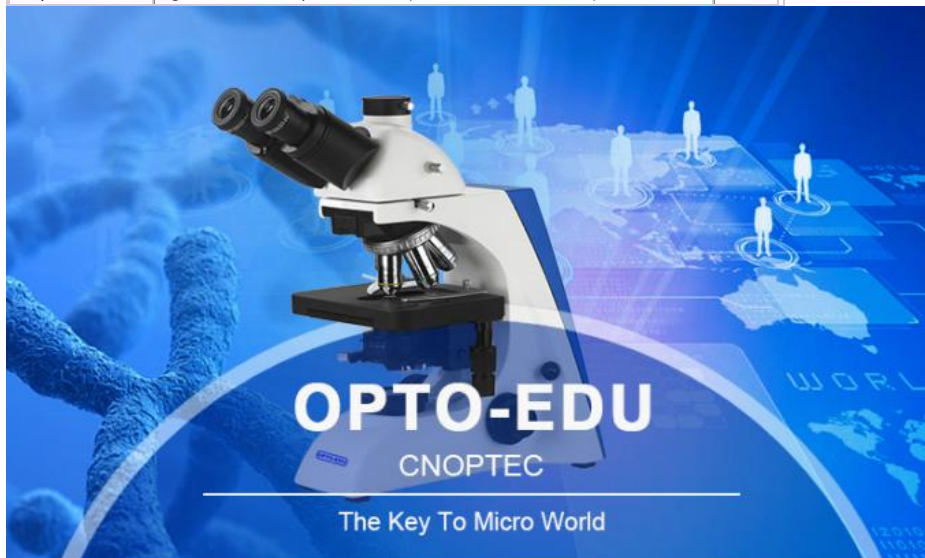




Specification	A15.0203 Polarizing Microscope		
Model	A Transmitted	B Transmitted & Reflected	C Reflected
Eyepiece	Wide field WF10x/18mm Division eyepiece 10x/18mm 0.10mm/div		
Objective . Center Adjustable	Strain-free plan achromatic objective (cover glass:0.17mm) PL 4X/0.10	Strain-free plan achromatic objective (no cover glass) PL 5X/0.12	
	Strain-free plan achromatic objective (cover glass:0.17mm) PL 10X/0.25	Strain-free plan achromatic objective (no cover glass) PL L 10X/0.25	
	Strain-free plan achromatic objective(cover glass:0.17mm) PL 40X/0.65 (spring)	Strain-free plan achromatic objective (no cover glass) PL L40X/0.60 (spring)	
	Strain-free plan achromatic objective(cover glass:0.17mm) PL 60X/0.85 (spring)	Strain-free plan achromatic objective (no cover glass) PL L 60X/0.75 (spring)	
Reflected Illumination		Rotatable Polarizer 6V 20w, halogen lamp, adjustable brightness	
Transmitted Illumination	Polarizer 360° rotatable, have 0,90,180,270 four scale Collector for halogen lamp illumination Illumination 6V 20w, halogen lamp, adjustable brightness Abbe condensor N.A. 1.25, rack & pinion adjustable		
Eyepiece Tube	Trinocular head, inclination of 30°, can send 100% of the image light to top photography port		
Polarizing Attachment	Built-in analyzer, can switch to normal observe or polarizing observe freely, 90° rotatable with scale, minimum retardation resolution 12'		
	Bertrand lens, impellent style, center adjustable		
	λ compensator		
	λ/4 compensator Quarts wedge compensator		
Nosepiece	Quadruple (Frontward ball bearing inner locating)		
Focus System	Coaxial coarse/fine focus system, with tension adjustable and limit stopper, minimum division of fine focusing: 0.002mm		
Stage	Rotatable stage, Diameter Φ150mm, 360° graduated (in 1degree increments), minimum retardation resolution 6' center adjustable and with tightener		



Company Information

Optional Accessories		Item No.
Eyepiece	Wide field WF16X(Φ11mm)	1051016
Objective	Strain-free plan achromatic objective(cover glass:0.17mm) PL 20X/0.40	2810320
	Strain-free plan achromatic objective(cover glass:0.17mm) PL 100X/1.25 (Oil ,spring)	2810311
	Strain-free plan achromatic objective(no cover glass) PL L 20X/0.40	2850320
	Strain-free plan achromatic objective(no cover glass) PL L 50X/0.70	2850350
	Strain-free plan achromatic objective(no cover glass) PL L 80X/0.80	2850380
	Strain-free plan achromatic objective (Dry) (no cover glass) PL L 100X/0.85 (Spring)	2850311
Nosepiece	Quadruple (Frontward ball bearing inner locating),adjust the center of objective	031007
Slide Moving Holder	Moving range: 30mmX25mm	116202
CCD Adapter	0.4X	810001
	0.5X	810004
	1X	810002
	0.5X with dividing 0.1mm/Div	810003
Camera	DV-1 With USB & video output	800001
	DV-2 With USB output	800003
	DV-3 With video output	800005
Photo Unit	2.5X/4X Change over photograph adapter with 10X viewing eyepiece	840001
	4X Focusing photograph adapter	840002
	MD Adapter	840003
	PK Adapter	840004
Adapter	Digital camera adapter CANON (A610,A620,A630,A640)	820001



📍 OPTO-EDU is you're looking for, isn't it?

OPTO-EDU *cnoptec*

<p>25+ Yeas Professional Experience Know Microscopes Best</p> <p>150+ 150+ Microscope & Accessory Manufacturers From</p> <p>25+</p>	<p>200+ Hot Sale & Newest Update Microscope Model Every Month</p> <p>200+</p>	<p>720+ 720+ Customers From All Over World Keep Rising</p>	<p>1200+ Microscope Models To Creat One-Stop Purchase Platform</p> <p>1200+</p>	<p> Top Seller For Microscope on Alibaba Recommend</p>	<p>OPTO-EDU As Famous Brand For Microscope In China & USA</p> <p> Most Professional Sale Team Supply Best Microscope</p>
---	--	---	--	---	---

 **Our Team And Our Factory.**

OPTO-EDU, as one of the most professional manufacturer and supplier of microscope in China, our sub-brand CNOPTEC series high end biological, laboratory, polarizing, metallurgical, fluorescene microscopes, CNCOMPARISON series forensic microscope, A63 series SEM microscope, and .49 series digital camera, LCD camera are very popular in the world market.



😊 I'm OPTO-EDU, nice to meet you!



Opto-Edu (Beijing) Co., Ltd.

☎ 0086 13911110627

✉ sale@optoedu.com

🌐 cnoec.com

F-1501 Wanda Plaza, No. 18 Shijingshan Road, Beijing 100043, China