



## 400x DIC Digital Metallurgical Microscope EPI A13.0214 Brightness Adjustable Trinocular Head

Our Product Introduction

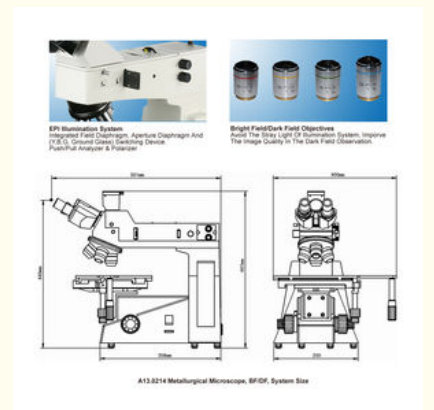
### Basic Information

- Place of Origin: China
- Brand Name: CNOEC, OPTO-EDU
- Certification: CE, Rohs
- Model Number: A13.0214
- Minimum Order Quantity: 1 pc
- Price: FOB \$1~1000, Depend on Order Quantity
- Packaging Details: Carton Packing, For Export Transportation
- Delivery Time: 5~20 Days
- Payment Terms: T/T, West Union, Paypal
- Supply Ability: 5000 pcs/ Month

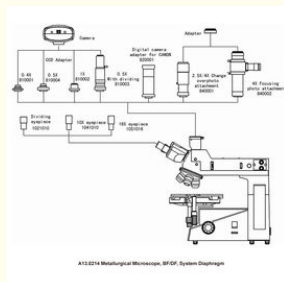


### Product Specification

- Head: Trinocular Head, 30° Inclined, Interpupillary Distance 53~75mm
- Eyepiece: WF10x/22mm Plan Eyepiece
- Nosepiece: Backward Quintuple Nosepiece, Ball Bearing Inner Locating
- Working Stage: Large Mechanical Stage 280\*270mm, Moving Range 204\*204mm
- Focusing: Coaxial Coarse & Fine Focus Knob, With Tension Adjustable And Limit Stopper, Minimum Division 0.7um
- Polarizing: Polarizer Enable 360° Rotate AND Switched In/Out Analyzer Can Be Switched In/Out
- EPI Illumination System: 6V30W Halogen Lamp
- Highlight: **reflected light microscope, halogen lamp microscope**



### More Images



for more products please visit us on cnoec.com

## Product Description

400x DIC Digital Metallurgical Microscope EPI A13.0214 Brightness Adjustable Trinocular Head

**A13.0214 BD Metallurgical Microscope** is suitable to observe many different kinds of object. It is equipped with transmitted illuminator, infinity plan achromatic objectives with long working distance, wide-field eyepieces and polarizer device. It provides clear and 3D image, beautiful sculpt, convenient control, etc. It is the ideal instruments in research work in biology, metallography, mineralogy, precision engineering, electronics, etc. Features

- Bright Field/Dark Field, Polarizing** Observation Available
- Excellent **UIS** optical system can obtain excellent optical performance.
- Compact and steady main frame body is embodiment for the shock resistance.
- The large-mobile range mechanical stage is adapted to observation big size specimen or quick check.
- Modularization function design so that update system expediently
- Ideal ergonomic design is adopted in this unit and have easier operation and wider space

A13.0214	A13.0214-BD	
Head	Trinocular Head, 30° Inclined, Interpupillary Distance 53~75mm	
Eyepiece	WF10x/22mm Plan Eyepiece	
Nosepiece	Backward Quintuple Nosepiece, Ball Bearing Inner Locating	
Objective	Infinity LWD Plan Achromatic Coverless PL5x/0.12, W.D.26.1mm PL10x/0.25, W.D. 20.2mm PL20x/0.40, W.D.8.8mm PL50x/0.70, W.D. 3.68mm (S) PL80x/0.80, W.D.1.28mm (S,O)	<b>BD</b> Infinity LWD Plan Achromatic Coverless PL5x/0.12, W.D.9.7mm PL10x/0.25, W.D. 9.3mm PL20x/0.40, W.D.7.23mm PL50x/0.70, W.D. 2.50mm (S) PL80x/0.80, W.D.1.25mm (S,O) (Optional)
Working Stage	Large Mechanical Stage 280*270mm, Moving Range 204*204mm	
Focusing	Coaxial Coarse & Fine Focus Knob, With Tension Adjustable And Limit Stopper, Minimum Division 0.7um	
Polarizing	Polarizer Enable 360° Rotate ANd Switched In/Out Analyzer Can Be Switched In/Out	
EPI Illumination System	Integrated Field Diaphragm, Aperture Diaphragm And (Y,B,G, Ground Glass) Switching Device. 6V30W Halogen Lamp, Brightness Adjustable 12V50W Halogen Lamp, Brightness Adjustable	

### A13.0215 DIC BD Metallurgical Microscope Optional Accessories

Eyepiece	WF10x/22mm Dividing Eyepiece	A51.0205-G10B
	Retical Eyepiece, WF10x/20mm, Micrometer Div 0.1mm	A51.0205-10
Infinity LWD Plan Achromatic Coverless Objective	PL40x/0.6, W.D.3.98mm	A5M.0235-40
	PL60x/0.75, W.D.1.22mm	A5M.0235-60
	PL100x/0.85, W.D.0.4mm, Dry	A5M.0235-100
<b>BD</b> Infinity LWD Plan Achromatic Coverless Objective	PL40x/0.6, W.D.3.90mm	A5M.0237-40
	PL60x/0.75, W.D.1.9mm	A5M.0237-60
	PL100x/0.85, W.D.0.4mm, Dry	A5M.0237-100
Working Stage	Large Mechanical Stage 250*230mm, Moving Range 154*154mm	A54.0205-18
Adapter	CCD Adapter 0.5x	A55.0202-04
	CCD Adapter 1.0x	A55.0202-02
	CCD Adapter 0.5x With Dividing 0.1mm/Divv	A55.0202-03
	Digital SLR Camera Adapter for Canon EF Series	A55.0204-02

### Product Description



www.cnoec.com

A13.0214 Metallurgical Microscope, BF/DF

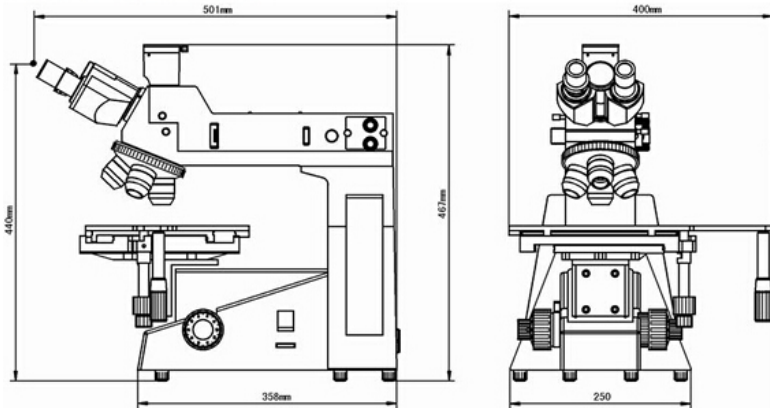


www.cnoec.com



**EPI Illumination System**  
 Integrated Field Diaphragm, Aperture Diaphragm And (Y,B,G, Ground Glass) Switching Device.  
 Push/Pull Analyzer & Polarizer

**Bright Field/Dark Field Objectives**  
 Avoid The Stray Light Of Illumination System, Improve The Image Quality In The Dark Field Observation.



A13.0214 Metallurgical Microscope, BF/DF, System Size





📍 OPTO-EDU is you're looking for, isn't it?

**OPTO-EDU** *cnoptec*

<p>25+ Yeas Professional Experience Know Microscopes Best</p> <p><b>150+</b> 150+ Microscope &amp; Accessory Manufacturers From</p> <p><b>25+</b></p>	<p>200+ Hot Sale &amp; Newest Update Microscope Model Every Month</p> <p><b>200+</b></p>	<p>720+ 720+ Customers From All Over World Keep Rising</p>	<p>1200+ Microscope Models To Creat One-Stop Purchase Platform</p> <p><b>1200+</b></p>	<p> Top Seller For Microscope on Alibaba Recommend</p>	<p>OPTO-EDU As Famous Brand For Microscope In China &amp; USA</p> <p> Most Professional Sale Team Supply Best Microscope</p> <p></p>
---	--	--	--	---	---

 **Our Team And Our Factory.**

OPTO-EDU, as one of the most professional manufacturer and supplier of microscope in China, our sub-brand CNOPTEC series high end biological, laboratory, polarizing, metallurgical, fluorescene microscopes, CNCOMPARISON series forensic microscope, A63 series SEM microscope, and .49 series digital camera, LCD camera are very popular in the world market.





😊 I'm OPTO-EDU, nice to meet you!



👍 Trust us, we will give you a guarantee.

Direct factory price!  
 3 years quality warranty!  
 Payment by T/T, PayPal, West Union to LC!  
 Ranked No.1 supplier for microscope on alibaba.com!  
 Special price support OPTO-EDU/CNOPTEC distributor!

**Opto-Edu (Beijing) Co.,Ltd.**

Transaction Level

41 Transaction(s)(6months)    Response Rate  
\$ 1,400,000+    100.0%

The Supplier Supports Trade Assurance-A Free Service That Protects Your Orders From Payment To Delivery.  
 Supplier's Trade Assurance Limit: US \$379,000



**Opto-Edu (Beijing) Co., Ltd.**

☎ 0086 13911110627    ✉ sale@optoedu.com    🌐 cnoec.com

F-1501 Wanda Plaza, No. 18 Shijingshan Road, Beijing 100043, China