



## 12.0M 1/1.7" Microscope Accessories OPTO-EDU A59.4940-12M 5G WIFI Digital Microscope Camera

Our Product Introduction

### Basic Information

- Place of Origin: China
- Brand Name: CNOEC, OPTO-EDU
- Certification: CE, Rohs
- Model Number: A59.4940
- Minimum Order Quantity: 1 pc
- Price: FOB \$1~1000, Depend on Order Quantity
- Packaging Details: Carton Packing, For Export Transportation
- Delivery Time: 5~20 Days
- Payment Terms: T/T, West Union, Paypal
- Supply Ability: 5000 pcs/ Month



### Product Specification

- Resolution: 12.0M
- Maximum Resolution: 4000 X 3000 (2,073,600 Pixels)
- Sensor Optical Format: 1/1.7" (6.058mm(H) X 4.415mm(V))
- Pixel Size: 1.85μm X 1.85μm
- Dynamic Range: >80dB
- SNR(Signal Noise Ratio): ≥50dB
- Spectral Characteristics: 380~650nm
- Exposure Capability: Real-time Auto, Single Auto, Manual Adjustment
- White Balance: Real-time Auto, Single Auto, Manual Adjust RGB Separately
- Record Format: Resolution:4000x3000
- Highlight: **microscope accessory, parts of the microscope, compound microscope parts**



### More Images



for more products please visit us on [cnoec.com](http://cnoec.com)

## Product Description

12.0M 1/1.7" Microscope Accessories OPTO-EDU A59.4940-12M 5G WIFI Digital Microscope Camera

New Generation 5G Wifi(11ac) High Speed  
 Resolution 2.0M/5.0M/8.0M/12.0M  
 Support Four Major Systems: Windows, Mac, Ios, And Android  
 Self-built LAN, High-speed And Stable Date Transmission  
 Independent Camera Desinged For Rapid Upgrades In The Future

Smartphones, tablets, and laptops are the carriers of modern networked knowledge. A59.4940 5G WiFi (11ac) Interactive Microscope Classroom System gives us a great sharing platform that liberates you from device or location and give you unlimited access and function to knowledge -making learning fun and engaging us in the 21st technolo-gy. Let's face it, everybody that has a smartphone /tablet are walking computers with access to data on moments notice via text or verbal commands. The future is here. It only takes a microscope, a WiFi camera and an App to let student / teacher collaboration meet anywhere. Where the students take this technology from here is the most exciting part. We have successfully integrated every microscope in the classroom with this new technology.






### Product Description

Student Camera	2.0M	5.0M	8.0M	12.0M
Teacher Camera	2.0W	5.0W	8.0W	12.0W
Resolution	2.0MP	5.0MP	8.0MP	12.0MP
Image Sensor	SONY IMX291 CMOS	SONY IMX178 COMS	SONY IMX274 COMS	SONY IMX226 COMS
Exposure Mode	Rolling Exposure	Rolling Exposure	Rolling Exposure	Rolling Exposure
Maximum Resolution	1920 x 1080 (2,073,600 Resolution)	2592 x 1944 (5,038,848 Resolution)	3840 x 2160 (8,294,400 Resolution)	4000x 3000 (12,000,000 Resolution)
Sensor Size	1/2.8"	1/1.8"	1/2.5"	1/1.7"
Pixel Size	2.9µm x 2.9µm	2.4µm x 2.4µm	1.62µm x 1.62µm	1.85µm x 1.85µm
Dynamic Range	128dB	>80dB	>80dB	>80dB
Signal-to-noise Ratio	30dB	≥50dB	≥50dB	≥50dB
Spectral Response	380-650nm			
Exposure Capability	Real-time Automatic, Single-time Automatic, Manual Adjustment			
White Balance	Real-time Automatic, Single-time Automatic, Manual R B Separately Adjusted			
Record Format	Photo Picture Format:JPG Resolution:1920x1080 Video Video Format:MOV Resolution: 1920X1080@50FPS(50Hz), 1920X1080@60FPS(60Hz), 1280x720@50FPS(50Hz), 1280x720@60FPS(60Hz)	Photo Picture Format:JPG Resolution:2592x1944 Video Video Format:MOV Resolution: 2592X1944@30 FPS, 2560X1920@30 FPS, 2048x1536@30 FPS, 1920x1080@30 FPS	Photo Picture Format:JPG Resolution:3840x2160 Video Video Format:MOV Resolution: 3840X2160@25 FPS, 2592X1944@25 FPS, 2048x1536@25 FPS	Photo Picture Format:JPG Resolution:4000x3000 Video Video Format:MOV Resolution: 4000X3000@15 FPS, 4096X2160@25 FPS, 3840x2160@25 FPS, 2592x1944@25 FPS

**OPTO-EDU**

# 5G Wifi Interactive Education System

**A59.4940** 

-  New Generation 5G Wifi(11ac) High Speed
-  Resolution 2.0M/5.0M/8.0M/12.0M
-  Support Four Major Systems: Windows, Mac, Ios, And Android
-  Self-built LAN, High-speed And Stable Data Transmission
-  Independent Camera Desinged For Rapid Upgrades In The Future



# SYSTEM COMPOSITION



Smartphones, tablets, and laptops are the carriers of modern networked knowledge. A59.4940 5G WiFi (11ac) Interactive Microscope Classroom System gives us a great sharing platform that liberates you from device or location and give you unlimited access and function to knowledge -making learning fun and engaging us in the 21st technology. Let's face it, everybody that has a smartphone /tablet are walking computers with access to data on moments notice via text or verbal commands. The future is here. It only takes a microscope, a WiFi camera and an App to let student / teacher collaboration meet anywhere. Where the students take this technology from here is the most exciting part. We have successfully integrated every microscope in the classroom with this new technology.

## 01 Optical Microscope



## 02 Optional 0.5x Or 1x Adapter



## 03 Camera For Microscope



Camera For Teacher



Camera For Student

## 04 Teacher Side Master 5G WiFi (11ac) ViMatrix

The unique ViMatrix controls all cameras, and the teacher-side PC has all administrator rights of the system.



9 strong signal antennas, can cover the diameter of up to 50 meters of spherical environment, to meet the requirements of teaching activities.



Ultra-strong core to ensure stable real-time image and data transmission.



Provides 1 WAN to support Internet connection and 4 LAN ports available to connect with teacher's PC.



Multi-terminal data synchronization and transmission, the maximum transmission rate can reach 2600Mbps @ 5G Hz.



Master 5G WiFi (11ac) ViMatrix Model	Teacher Side Master 5G WiFi (11ac) ViMatrix
Interface	4 x 10/100/1000BASE-T Ethernet RJ45 Interface 1 x 10/100/1000BASE-T Ethernet RJ45 Interface
Button	Power On/Off
Lights	Power Light, Status Light
Antenna	9 High-gain Single-band Antennas
External Power Supply	AC100~240V/1.5A ( Max)
Wireless Parameters	
Protocol Supported	5G WiFi IEEE802.11ac
Frequency	5.180-5.825GHz
Signal Rate	2600Mbps
Transport Security	WPA/WPA2, WPA-PSK/WPA-PSK2 Encryption
WAN Type	Dynamic IP
Protocol	Supports IPV4 And IPV6

**05 Student Side Vimatrix Mini**



One high gain single frequency external antenna.



Friendly-designed three 5V 2A USB charging interface, available for students to charge their smart devices in the classroom.



Three power ports for microscope camera .



Three cameras share one ViMatrix Mini.



Student - side 5G WiFi (11ac)ViMatrix Mini Model	Student Side Vimatrix Mini
Interface	3 x 10/100BASE -T Ethernet RJ45 Interface
Button	Power On/Off
Lights	Power Light, Status Light
Antenna	1 High-gain Single-band Antennas
External Power Supply	DC12V 5A
Wireless Parameters	
Protocol Supported	5G WiFi IEEE802.11ac
Frequency	5.180-5.825GHz
Signal Rate	450Mbps
Transport Security	WPA/WPA2, WPA-PSK/WPA-PSK2 Encryption
Protocol	Supports IPV4 And IPV6

## 06 Teacher Computer

When used on a PC, you need to install the interactive software Micro WiFi EDU which included in this System .



Software: Micro WiFi EDU



## 07 5G WiFi (11ac) Supported Tablet And Smartphone (Please Bring Yours Or Purchase With Distributors)



APP: Micro WiFi EDU



## 08 Projection

The teacher side computer can use the projector for large-screen display, but also can use the lecturing mode of this system, real-time stream such as microscopic images, computer documents to the smart devices of students, so as to obtain high-quality teaching effect.

## 09 Audio System

Teachers and students can do one-to-one voice communication; to ensure audio quality, dedicated high-quality microphone for teachers is provided by designated agents; students can use their own headphones.

## 10 Classroom Requirements

Student desks requirements: please provide enough physical space to the student microscope and Vimatrix Mini, 3 student microscope cameras share one Vimatrix Mini. It is recommended that three student cameras have a physical distance of less than 2 meters . Two mains outlets should available (rated output voltage is AC 100-240V).

## THREE INTERACTIVE SYSTEM SOLUTIONS

● One microscope vs. 1 - 8 smart devices.  
Suitable for small laboratory / class / workshop, etc.

**1080P** 2.0MP  
FULL HD 5.0MP

**4K** 8.0MP  
ULTRA HD 12.0MP



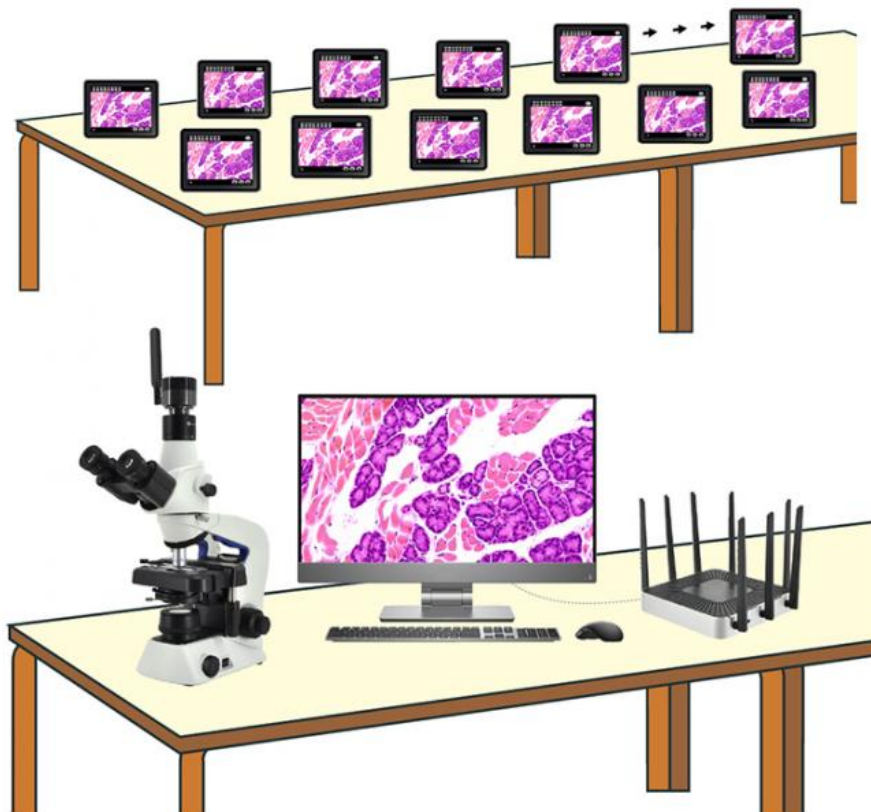
### Solution:

1. 5G WiFi (11ac) camera (choose from the following models) :  
12.0M, 8.0M, 5.0M, 2.0M (please refer to the specifications of corresponding models)
2. Windows PC software: Micro WiFi Lab
3. Smart devices applications: Micro WiFi Lab
4. Smart devices (purchased with a distributor or provide for oneself) : support iOS, Android and Windows systems;
5. Hardware requires 5G WiFi(11ac) while laptop or desktop without 5G WiFi(11ac) requires an external network card.



One microscope vs. 11-50 smart devices.

Suitable for large and medium-sized laboratories / classrooms / seminars and so on.



**Solution:**

1. 5G WiFi (11ac) camera (choose from the following models) :  
12.0M, 8.0M, 5.0M, 2.0M (please refer to the specifications of corresponding models)
2. Master ViMatrix Teacher Side
3. Windows PC software: Micro WiFi EDU
4. Smart devices applications: Micro WiFi EDU
5. Smart terminal (purchased with the agent or provide for oneself) : support iOS, Android and Windows systems;
6. Hardware requires 5G WiFi(11ac) while laptop or desktop without 5G WiFi(11ac) requires an external network card.



12-60 microscope vs. 12-60 smart devices.

It is suitable for the microscope education activities of 12-60 people in universities, research institutes, hospitals and so on.





# 5G WIFI INTERACTIVE EDUCATION SYSTEM LAYOUT

Real Time Images Under Student Microscope Will be Transmitted By 5G WiFi To Teacher Side Computer, Shown All In One Screen. Student Can View His Micro Image On Any Smart Device Like Mobile Phone, iPad, iPhone.



**Teacher Side:** Master 5G WIFI ViMatrix + Teacher WIFI Camera + Teacher Interactive Software  
Micro WiFi EDU + Microscope

+



**Student Side:** 5G WIFI Vimatrix Mini + Student Camera + Student Smart Device App Micro Wifi  
EDU + Microscope

# TEACHER INTERACTIVE SOFTWARE MICRO WIFI EDU

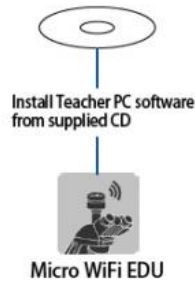
 Six main interactive teaching methods allows arbitrary composition of use



- User-friendly interface with icons, easy to identify and quickly use.
- Each function has been designed to be very accessible and helpful to education and research.
- Unique black background, eliminate miscellaneous light interference, improve microscope image recognition.

## Scope of applications:

- |   |   |   |
|---|---|---|
| <input checked="" type="checkbox"/> Education teaching  | <input checked="" type="checkbox"/> Cell Lab              | <input checked="" type="checkbox"/> Pathological Studies  |
| <input checked="" type="checkbox"/> Blood Science   | <input checked="" type="checkbox"/> Parasite Science      | <input checked="" type="checkbox"/> Microbiology          |
| <input checked="" type="checkbox"/> Material analysis   | <input checked="" type="checkbox"/> Environmental studies | <input checked="" type="checkbox"/> Food/Beverage Control |
| <input checked="" type="checkbox"/> General cytology such as agriculture, forestry, livestock |   |   |



## Lecturing mode



The teacher PC screen or the selected student smart device screen is streamed to all student smart devices synchro-nously.

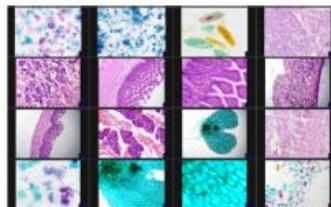


Lecture materials such as PPT/ WORD/ EXCEL are displayed on the smart device of students in real time to enrich the teaching content.



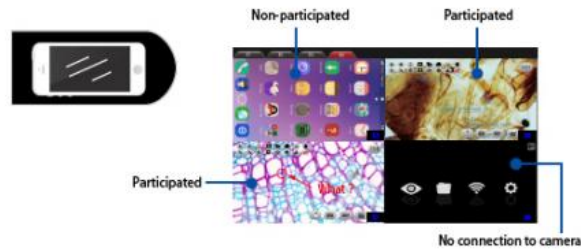
The operation process of the teacher PC or the selected student smart device is displayed to all student smart devices synchronously.

## Monitor live-image under microscope camera



Teachers can easily capture all camera live-image, confirming that all cameras are connected successfully.

## Monitor smart devices screen



Real-time monitoring of all student smart devices screen to ensure that all students participate in learning. The students' annotations, measurements, and other operations in the APP are displayed on teacher's PC. The progress of the study can be checked at any time. The teacher can show the selected student smart devices screen to all students.

## Demonstrate student works



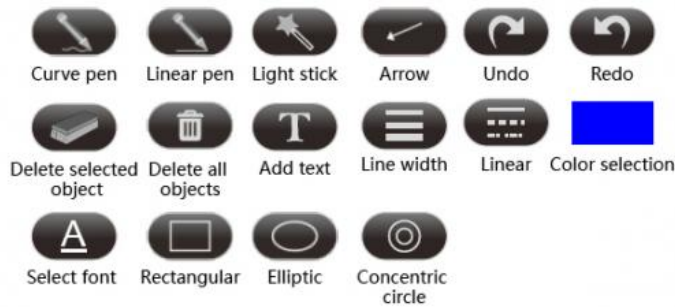
Live-demo the selected camera video to the entire student smart devices.

## Annotate student works



Annotate and edit selected images and documents, and send the operation process to all student smart devices in real time.

### Annotation tools:



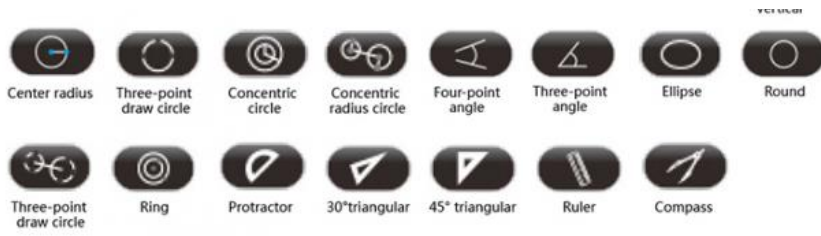
## Multi-screen comparison teaching

- Static picture comparison
- Dynamic Video comparison
- Static vs. dynamic mixing comparison
- Support for cross-window annotating
- Support teacher-to-peer comparison with 06 selected students

## Interactive shortcuts

- Multi-page camera monitoring window, capturing the teacher-side image and all student-side real-time image simultaneously.
- Take picture, record, screen-capture, screen-record for single or multiple student-side images.
- Smart settings for camera : restore all camera default parameters; Restore all camera default names; Disable parameters adjustment on all smart devices. Modify the camera name; restore the current camera default name.
- The teacher receives students' voice and answers one-on-one questions.
- Delete all documents with one click and reset the system with one click (convenient for next class teachers and students).
- Smart devices black and white list management: delete all white list and blacklist; allow Smart devices authorization message popup; The smart device is authorized to join into the system in order. Check all authorized smart devices list.
- 23 measurement tools to meet basic teaching requirements.





**Teacher-side mobile Mini PC (optional)**



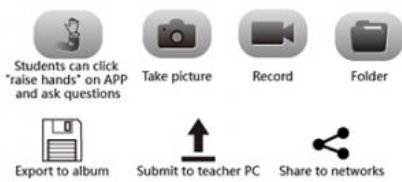
The mobile Mini PC has the same control and functions as the teacher-side PC, enabling easy mobile teaching in the classroom.

## STUDENT SMART DEVICE APP MICRO WIFI EDU



- Scan supplied "student seat QR code" to access micro image directly.
- Take photos / videos and record important content in real time.
- Annotate, measure, doodle, add pictures, improve learning efficiency.
- The student smart devices and the teacher-side PC can send each other voice realizes individual counseling.
- Generates learning / research reports within student APP easily and can sent to teacher's email immediately.

### Tool bar



### Annotation tools



### Software Operating Requirements

System Requirements	Microsoft® Windows® 7 / 8 /8.1/10(32 & 64 bit)
	CPU: Intel i5 Quad-core 3.0GHz Or Better(for 2.0MP /5.0MP/8.0MP) Intel i7 Quad-core 3.6GHz Or Better(for 12.0MP)
	Memory: 8G Or Above
	At Least 10GB Of Available Hard Disk Space
	Wireless Network Card(Support 5G WiFi IEE802.11ac)

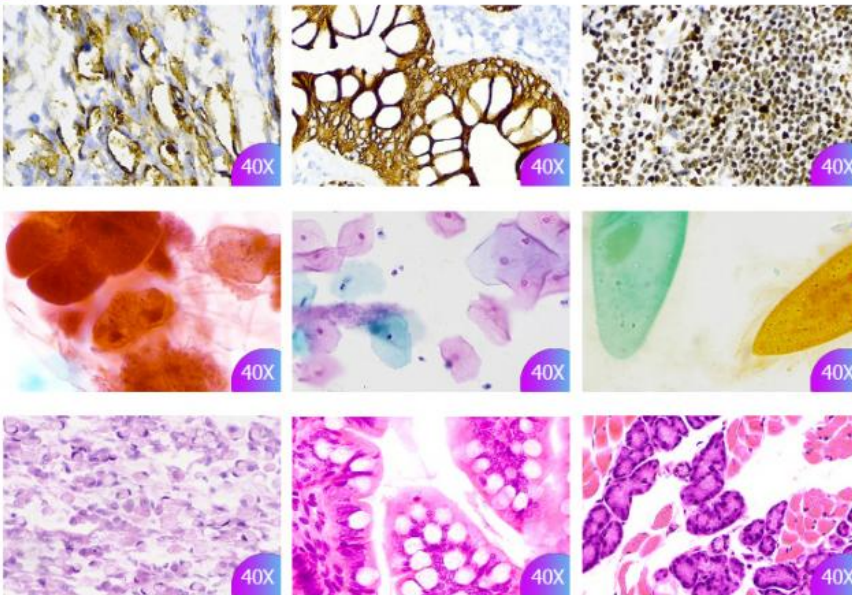
iOS Requirements	iPhone X/ 8/ 8 Plus/7/ 7 Plus/6s/6s Plus/ 6/6 Plus iPad Pro(12.9 Inches,2nd Generation)/(12.9 Inches,1st Generation)/(10.5 Inches)/(9.7 Inches) iPad Air 2/iPad Mini 4 And Other New Devices That Support The 5G WiFi (11ac) Protocol
	iOS11.0 And Later System
Android Requirements	Android 5.0 And Later System
	CPU: Dual Core 1.7GHz And Later
	Memory RAM:2G Or More Storage ROM: 8G Or More Recommended

## APPLICATION AND CASE

### Example 5G Wifi Interactive Education System

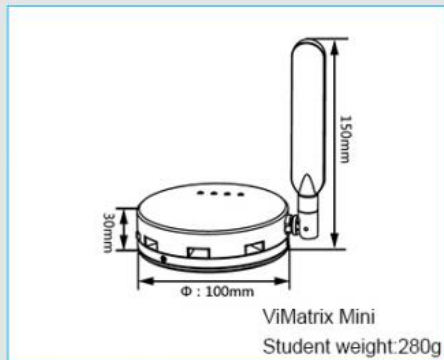
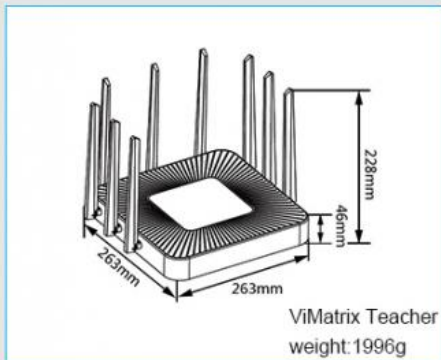
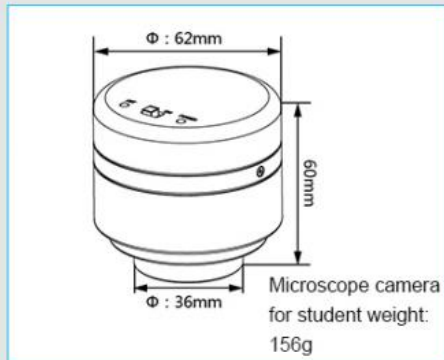
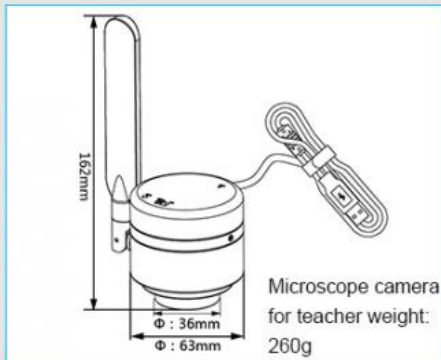


### System Image Samples



# PACKING AND SHIPPING

**Packing :** Polyfoam Protection And Strong Carton  
**Shipping Time :** 5~20 Days After Receive The Deposit



## Company Information

### OUR STRENGTH

- ◆ 25+ Years Professional Experience Know Microscopes Best
- ◆ 150+ Microscope & Accessory Manufacturers From China
- ◆ 200+ Hot Sale & Newest Update Microscope Model Every Month
- ◆ 720+ Customers From All Over World Keep Rising
- ◆ 1200+ Microscope Models To Create One-Stop Purchase Platform
- ◆ OPTO-EDU As Famous Brand For Microscope In China & USA
- ◆ Top Seller For Microscope on Alibaba Recommend To 99% User
- ◆ Most Professional Sale Team Supply Best Microscope Solution



Opto-Edu (Beijing) Co., Ltd.

☎ 0086 13911110627

✉ sale@optoedu.com

🌐 cnoec.com

F-1501 Wanda Plaza, No. 18 Shijingshan Road, Beijing 100043, China