



Objective 10x Binocular Metallurgical Optical Microscope Halogen 100 - 240V

Our Product Introduction

for more products please visit us on cnoec.com

Basic Information

- Place of Origin: China
- Brand Name: CNOEC, OPTO-EDU
- Certification: CE, Rohs
- Model Number: A13.2605-A
- Minimum Order Quantity: 1 pc
- Price: FOB \$1~1000, Depend on Order Quantity
- Packaging Details: Carton Packing, For Export Transportation
- Delivery Time: 5~20 Days
- Payment Terms: T/T, West Union, Paypal
- Supply Ability: 5000 pcs/ Month



Product Specification

- Eyepiece: WF10x/18
- Nosepiece: 3 Holes
- Objective: LWD Plan 5x,10x,50x
- Working Stage: Plain Stage
- Condenser: Abbe N.A.1.25
- Focusing: Coaxial Coarse & Fine
- Light Source: Halogen 6V30W
- Power Supply: 100~240V
- Highlight: **reflected light microscope, halogen lamp microscope**



More Images



Product Description

OPTO-EDU A13.2605-A 50X-500X Binocular Metallurgical Microscope

A13.2605 metallurgical microscope is designed for material surface observation and mechanical state detection. It can accurately display the color of different metals and easy to use for analysing the internal structure of electronic products. One of the main part of the microscope is metallurgical epi illumination, the light source is reflect 6V30W Halogen Lamp.



OPTO-EDU (BEIJING) CO., LTD.

F-1501 Wanda Plaza, No.18 Shijingshan Road, Beijing 100043, China
Tel:+8610 88696020 Fax:+8610 88696085

A13.2605

Metallurgical Microscope, Reflect Light





**Seidentopf Head Inclined 30°
Rotatable 360° , Interpupillary Distance 48-75mm**

Seidentopf Head

Inclined 30°, Rotatable 360°, Interpupillary Distance 48-75mm, High Eyepoint Eyepiece, Which Is Convenient For People With Different Sitting Height; The Integrated Design Of The Eyepiece Lens Barrel, Avoids The Loss And Contamination Of The Eyepiece And Enhances The Integrated Performance Of The Microscope



Backward Quadruple Nosepiece

**Metallurgical LWD
Infinity Plan Objectives**

Double Layer Mechanical Stage Size 200 × 140mm

Nosepiece & Objective

High Precision Reserved Quadruple, Backward Nosepiece, Metallurgical LWD Infinity Plan Objectives: 5x, 10x, 50x; Optional 20x, 80x, 100x
Working Stage

Double Layer Mechanical Stage Size 200×140mm, Travel Range 76×52mm



Powered By Safety Low Voltage Charger, Input Wide Voltage 100V-240V, Output 5V1A, Support Power Bank Supply For Outdoor Use

Powered By Safety Low Voltage Charger

Input Wide Voltage 100V-240V, Output 5V1A, Support Power Bank Supply For Outdoor Use

Items	A13.2605 Metallurgical Microscope Specification	A	B	Cata. No.
Head	Seidentopf Binocular Head Inclined 30°, Eyetube Rotatable 360°, Interpupillary Distance 48-75mm	•		A53.2621-B
	Seidentopf Trinocular Head Inclined 30°, Eyetube Rotatable 360°, Interpupillary Distance 48-75mm, Light Split Fixed P20/E80		•	A53.2621-T

Eyepiece	WF10x/20mm, High Eyepoint,	●	●	A51.2602-1018
	WF10x/20mm, With Micrometer X-0.1mm*180 Div / Y-Single Line, Diopter Adjustable	●	●	A51.2605-1018D
Nosepiece	Quadruple, Backward	●●	●●	A54.2610-N734
Metallurgical LWD Infinity Plan Objectives	LPL 5x/0.13, W.D.=16.04mm	●	●	A5M.2633-5
	LPL 10x/0.25, W.D.=18.48mm	●	●	A5M.263310
	LPL 20x/0.40, W.D.=8.35mm	○	○	A5M.2633-20
	LPL 50x/0.70, W.D.=1.95mm	●	●	A5M.2633-50
	LPL 80x/0.80, W.D.=0.85mm	○	○	A5M.2633-80
	LPL 100x/0.90(Dry), W.D.=1.00mm	○	○	A5M.2633-100
Working Stage	Double Layer Mechanical Stage Size 200×140mm, Travel Range 76×52mm	●	●	A54.2601-S04T
Focusing	Coaxial Coarse And Fine Focusing Knobs, Travel Range: 22mm, Scale: 2μm	●	●	
Illumination	Reflect Light Source, 5WLED Warm Lamp, With Five Holes Filter Disc (Blue, Green, Amber, Grey, Empty) Powered By Safety Low Voltage Charger, Input Wide Voltage 100V-240V, Output 5V1A, Support Power Bank Supply For Outdoor Use	●	●	A56.2613-6V30W
Polarizing	Analyzer + Polarizer	○	○	A5P.2603-BS
Adapter	C-Mount 0.5x, Focus Adjustable	○	○	A55.2601-05
	C-Mount 0.75x, Focus Adjustable	○	○	A55.2601-75
	C-Mount 1.0x, Focus Adjustable	○	○	A55.2601-10
	Digital Eyepiece Camera Adapter, Dia. 23.2mm/25mm	○	○	A55.2610
Package	Carton Size 570*275*450mm, 1 Unit/Ctn			
Weight	Gross Weight 10.5kgs, Net Weigh 8.0kgs			

Note: "●" In Table Is Standard outfits, "○" Is Optional Accessories.

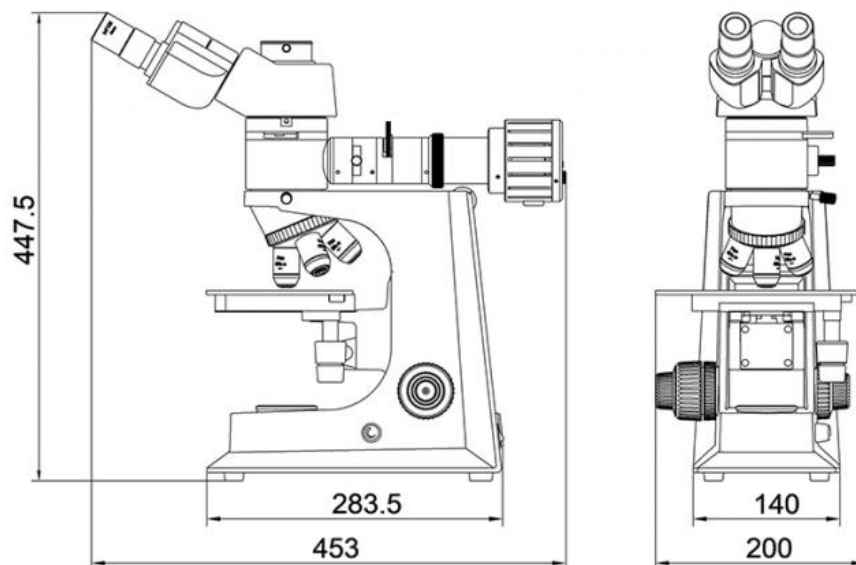
Product Models & Size(mm)



A13.2605-A



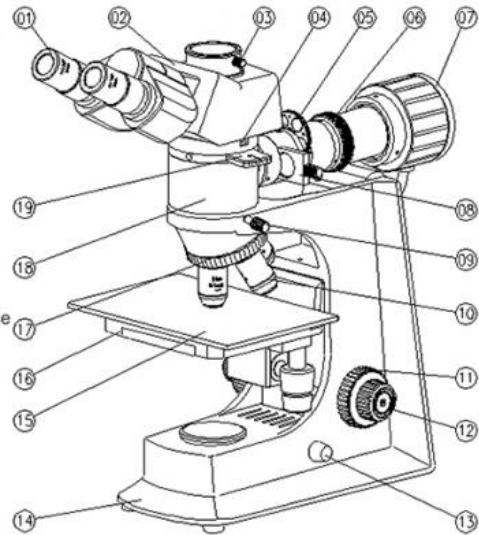
A13.2605-B



A13.2605 Inverted Metallurgical Microscope Size(mm)

Product Conformation & Accessories

- 01-Eyepiece
- 02-Binocular (Trinocular) Observing Tube
- 03-Locking screw for Camera
- 04-Locking screw for Observing Tube
- 05-Filter turret
- 06-Aperture diaphragm adjusting ring
- 07-Light Box
- 08-Polarizer
- 09-Locking screw for main body
- 10-Objective
- 11-Right coarse focusing hand wheel
- 12-Right fine focusing hand wheel
- 13-Dimming potentiometer
- 14-Main body
- 15-Stage
- 16-Mechanical stage
- 17-Nosepiece
- 18-Epi illumination device
- 19-Analyzer



A5P.2603-BS Analyzer + Polarizer



**A55.2610
Digital Eyepiece
Camera Adapter**



**A55.2601-05
C-Mount 0.5x,
Focus Adjustable**



**A55.2601-75
C-Mount 0.75x,
Focus Adjustable**



**A55.2601-10
C-Mount 1.0x,
Focus Adjustable**



**A5M.2633
Metallurgical LWD Infinity Plan Objectives**



Opto-Edu (Beijing) Co., Ltd.

☎ 0086 13911110627

✉ sale@optoedu.com

🌐 cnoec.com

F-1501 Wanda Plaza, No. 18 Shijingshan Road, Beijing 100043, China