



A13.2604-B Metallurgical Optical Microscope Trinocular High Precision

Our Product Introduction

for more products please visit us on cnoec.com

Basic Information

- Place of Origin: China
- Brand Name: CNOEC, OPTO-EDU
- Certification: CE, Rohs
- Model Number: A13.2604-A
- Minimum Order Quantity: 1 pc
- Price: FOB \$1~1000, Depend on Order Quantity
- Packaging Details: Carton Packing, For Export Transportation
- Delivery Time: 5~20 Days
- Payment Terms: T/T, West Union, Paypal
- Supply Ability: 5000 pcs/ Month



Product Specification

- Application: Research|Learning|Metallurgical
- Certification: CE|Rohs
- Drawtube: Trinocular
- Illumination: Halogen Lamp
- Magnification: 50x - 1000x
- Theory: Metallurgical Optical Microscope
- Highlight: **reflected light microscope, halogen lamp microscope**



More Images



Product Description

Learning Infinity Plan Microscope Trinocular Compound Microscopes Rohs A13.2604
Description:

- A13.2604 Metallurgical Microscope
- Infinity optical system for metallurgical observing
- Stress Free Long working distance objective
- Reflecting & transmitting light source available
- Polarizing Set Included
- Kohler illumination collector with field diaphragm



OPTO-EDU (BEIJING) CO., LTD.

F-1501 Wanda Plaza, No.18 Shijingshan Road, Beijing 100043, China
Tel:+8610 88696020 Fax:+8610 88696085

A13.2604

Metallurgical Microscope, Reflect/Transmit, BF/DF



A13.2604 Series Metallurgical Microscope

A13.2604-A Reflect



A13.2604-AD Reflect, BF/DF

Working Stage

Double Layer Mechanical Size $200 \times 150\text{mm}$,
Travel Range $77 \times 52\text{mm}$, Stage Quick Drop-Down
Device For Extra 50mm Up/Down Range



A13.2604-B Reflect & Transmit



A13.2604-BD Reflect & Transmit, BF/DF

Working Stage

Double Layer Mechanical Size $182 \times 140\text{mm}$,
Travel Range $77 \times 52\text{mm}$

Condenser

Abbe N.A.1.25 , With Iris Diaphragm

Transmit Light

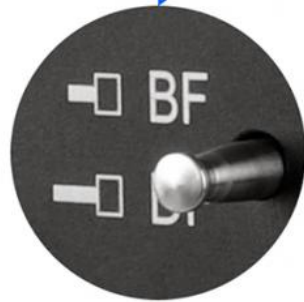
5W LED, Koehler Illumination, Field Diaphragm
Analyzer + Polarizer For Transmit Light



A13.2604 Upgrade To BF/DF in 2021!



A13.2604-AD
A13.2604-BD



Now you can watch the material under Bright Field & Dark Field way in one microscope!



**Super Wide Field SWF10x/22mm
Eyepiece Dia.30mm Diopter Adjustable**

Super Wide Field Eyepiece

SWF10x/22mm, Eyepiece Dia.30mm Diopter Adjustable



Large Size Head With Eyepiece Tube And Eyepiece Dia.30mm

The Eyepiece Tube Has Fix Screw

To Prevent Eyepiece Falling Damage During Move



Trinocular Head Light Split Optional Between Switch E100:P0/E0:P100 And Fixed E80:P20
 In Fixed Light Split, Eyepiece 80% : Photo 20% User Can View Image At Same Time In Both Path
 In Switch Light Split, Eyepiece 100%:Photo 0% / Eyepiece 0%:Photo 100%, Camera Can Have 100% Light For Photo Capture.





Metallurgical LWD Infinity Plan Objectives

Nosepiece

Quintuple, Backward, Metallurgical LWD Infinity Plan Objectives: 5x, 10x, 20x, 50x; Optional 80x, 100x



Double Layer Mechanical Size 182×140mm For A13.2604-B



Double Layer Mechanical Size 200×150mm For A13.2604-A



Abbe N.A.1.25 , With Iris Diaphragm

Condenser For A13.2604-B

Abbe N.A.1.25 , With Iris Diaphragm



Powered By Safety Low Voltage Charger, Input Wide Voltage 100V-240V, Output 5V1A, Support Power Bank Supply For Outdoor Use

5W LED Light Source, Powered By Safety Low Voltage Charger

Input Wide Voltage 100V-240V, Output 5V1A, Support Power Bank Supply For Outdoor Use

Product Accessories



A55.2610
Digital Eyepiece
Camera Adapter



A55.2601-05
C-Mount 0.5x,
Focus Adjustable



A55.2601-75
C-Mount 0.75x,
Focus Adjustable



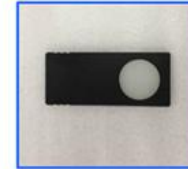
A55.2601-10
C-Mount 1.0x,
Focus Adjustable



A5P.2603-BKR
Analyzer + Polarizer
For Reflect Light



A56.2620-B
Blue Filter Switch Handle

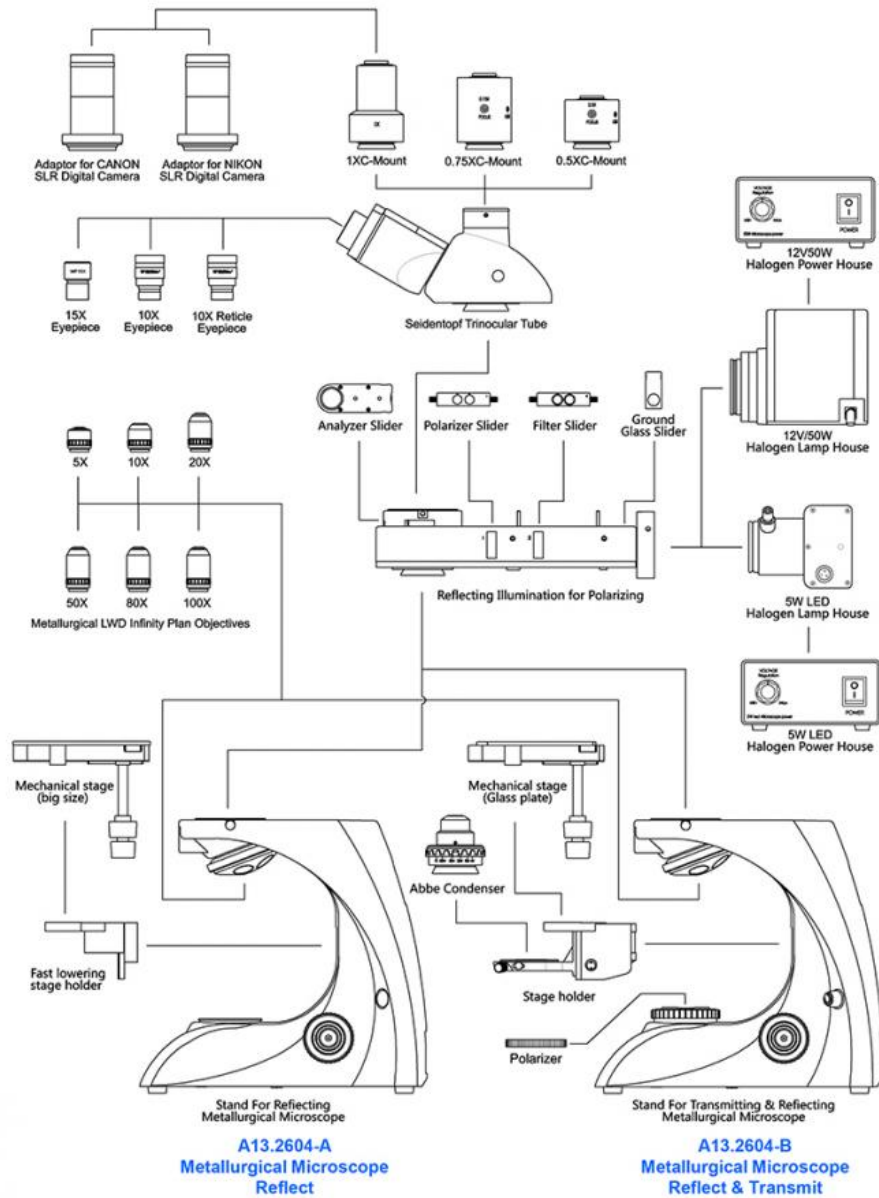


A56.2620-F
Ground Glass Slider

Items	A13.2604-B Metallurgical Microscope, Reflect & Transmit	-A	-B	Cata. No.
Head	Seidentopf Trinocular Head Inclined 30°, Rotatable 360°, Interpupillary Distance 48-76mm, Light Split Switch E100:P0/E20:P80, Eyepiece Tube Dia.30mm	●	●	A53.2623-T
Eyepiece	WF10x/22mm, Dia.30mm, High Eyepoint, Diopter Adjustable	●	●	A51.2621-1022
	WF10x/22mm, Dia.30mm, With Micrometer X-0.1mm*180 Div / Y-Single Line, Diopter Adjustable	●	●	A51.2622-1022
Nosepiece	Quintuple, Backward	●●	●●	A54.2610-N01
Metallurgical LWD Infinity Plan Objectives	LPL 5x/0.13, W.D.=16.04mm	●	●	A5M.2633-5
	LPL10x/0.25, W.D.=18.48mm	●	●	A5M.263310
	LPL 20x/0.40, W.D.=8.35mm	●	●	A5M.2633-20
	LPL 50x/0.70, W.D.=1.95mm	●	●	A5M.2633-50
	LPL 80x/0.80, W.D.=0.85mm	○	○	A5M.2633-80
	LPL 100x/0.90(Dry), W.D.=1.00mm	○	○	A5M.2633-100
Working Stage	Double Layer Mechanical Size 200×150mm, Travel Range 77×52mm, Stage Quick Drop-Down Device For Extra 50mm Up/Down Range	●		A54.2601-S01T
	Double Layer Mechanical Size 182×140mm, Travel Range 77×52mm		●	A54.2601-S01T3
Condenser	Abbe N.A.1.25 , With Iris Diaphragm		●	A56.2614-C01d
Focusing	Coaxial Coarse And Fine Focusing Knobs, Travel Range: 25mm, Scale: 2μm	●	●	
Illumination	Reflect Light 5W LED Koehler Illumination, Field Diaphragm Powered By Safety Low Voltage Charger, Input Wide Voltage 100V-240V, Output 5V1A, Support Power Bank Supply For Outdoor Use	●	●	A56.2612-5W
	Reflect Light 12V50W Halogen Koehler Illumination, Field Diaphragm, Wide Voltage 100V~240V	○	○	A56.2613-12V50W
	Transmit Light 5W LED Koehler Illumination, Field Diaphragm Powered By Safety Low Voltage Charger, Input Wide Voltage 100V-240V, Output 5V1A, Support Power Bank Supply For Outdoor Use	-	●	A56.2612-5W
	Transmit Light 6V30W Halogen Koehler Illumination, Field Diaphragm, Wide Voltage 100V~240V	-	○	A56.2613-6V30W
Polarizing	Analyzer + Polarizer For Reflect Light	●	●	A5P.2603-BKR
	Analyzer + Polarizer For Transmit Light	-	●	A5P.2603-BKT
Filter	Ground Glass Slider	○	○	A56.2620-F
	Blue Filter Switch Handle	○	○	A56.2620-B
Adapter	C-Mount 0.5x, Focus Adjustable	○	○	A55.2601-05
	C-Mount 0.75x, Focus Adjustable	○	○	A55.2601-75
	C-Mount 1.0x, Focus Adjustable	○	○	A55.2601-10
	Digital Eyepiece Camera Adapter, Dia. 23.2mm/25mm	○	○	A55.2610
Package	Carton Size 570*275*450mm, 1 Unit/Ctn			
Weight	Gross Weight 10.5kgs, Net Weight 8.0kgs			

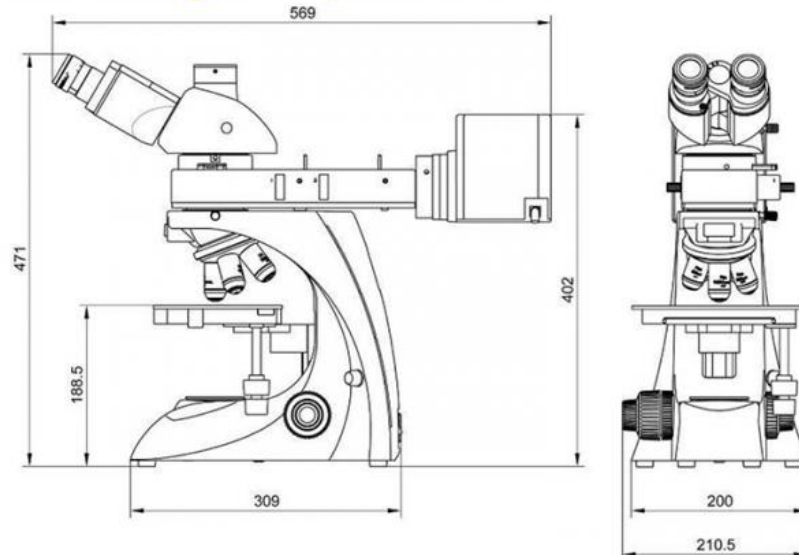
Note: "●" In Table Is Standard outfits, "○" Is Optional Accessories.

General Layout Diagram

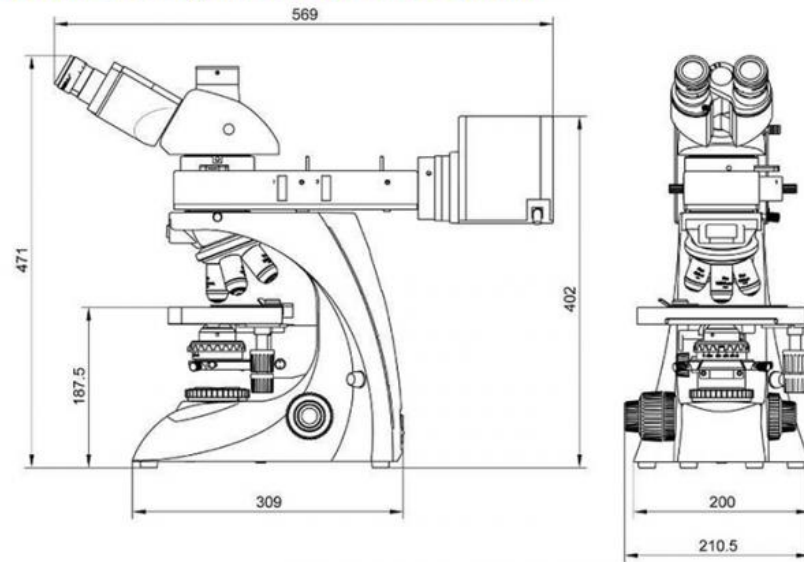


Product Size(mm)

A13.2604-A Metallurgical Microscope Reflect



A13.2604-B Metallurgical Microscope Reflect & Transmit



Opto-Edu (Beijing) Co., Ltd.

☎ 0086 13911110627

✉ sale@optoedu.com

🌐 cnoec.com

F-1501 Wanda Plaza, No. 18 Shijingshan Road, Beijing 100043, China