



WF10X Eyepiece Binocular Student Optical Microscope ABBE NA1.25 Condenser

Our Product Introduction

for more products please visit us on cnoec.com

Basic Information

- Place of Origin: China
- Brand Name: CNOEC, OPTO-EDU
- Certification: CE, Rohs
- Model Number: A13.2603
- Minimum Order Quantity: 1 pc
- Price: FOB \$1~1000, Depend on Order Quantity
- Packaging Details: Carton Packing, For Export Transportation
- Delivery Time: 5~20 Days
- Payment Terms: T/T, West Union, Paypal
- Supply Ability: 5000 pcs/ Month

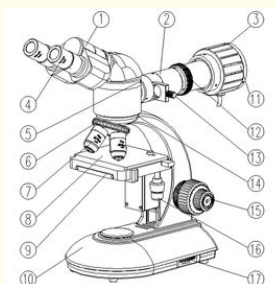
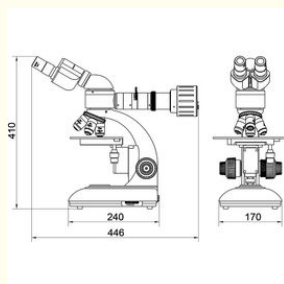


Product Specification

- Total Magnification: 40X 1000X
- Eyepiece: WF10X
- Head: Compensation Free Binocular, 30° Inclined, 360° Rotatable
- Objectives: 4x, 10x, 40x, 100x
- Nosepiece: Quadruple
- Focusing: Coaxial Coarse And Fine Focus Adjustment, Range: 22mm
- Stage: Double Layer Mechanical Stage
125mmx115mm, Moving Range :
75mmx35mm
- Condenser: ABBE NA1.25 Condenser
- Illuminator: 3W LED
- Highlight: **reflected light microscope,**
halogen lamp microscope



More Images



Product Description

Binocular Optical School Student Microscope Monocular Trinocular Educational Gift



OPTO-EDU (BEIJING) CO., LTD.

F-1501 Wanda Plaza, No.18 Shijingshan Road, Beijing 100043, China
Tel:+8610 88696020 Fax:+8610 88696085

A13.2603

Metallurgical Microscope, Reflect Light



Our Product Introduction

for more products please visit us on cnoec.com



Seidentopf Head Inclined 30°
Eyetube Rotatable 360° , Interpupillary Distance 48-75mm

Backward Quadruple Nosepiece



Metallurgical LWD
Infinity Plan Objectives



Double Layer Mechanical Stage Size 200×140mm

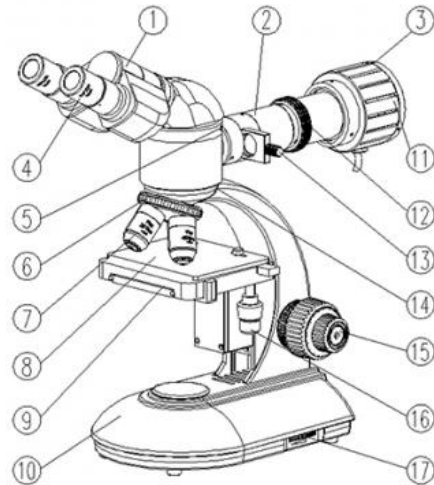
Objective & Working Stage

Backward Quadruple Nosepiece With Metallurgical LWD Infinity Plan Objectives
Double Layer Mechanical Stage Size 200×140mm, Travel Range 76×52mm



Powered By Safety Low Voltage Charger, Input Wide Voltage 100V-240V, Output 5V1A, Support Power Bank Supply For Outdoor Use

Product Conformation & Models



01	Seidentopf Binocular head
02	Epi Unit
03	Screw C
04	Eyeiece
05	Screw B
06	Nosepiece
07	Objectives
08	Stage Plate
09	Stage
10	Base
11	Lamp house
12	Aperture Diaphragm Ring
13	Spot
14	Screw A
15	Coarse and fine focusing knobs
16	Stage adjusting knobs
17	Potentiometer



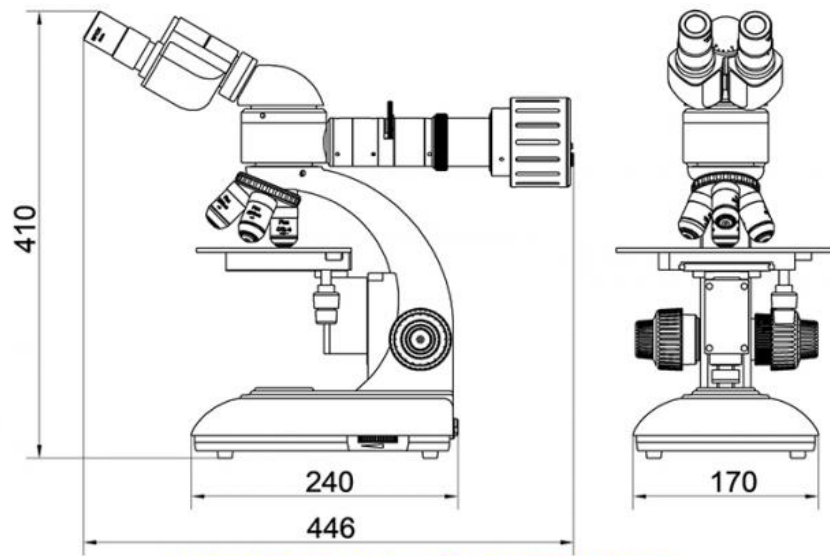
A13.2603-B



A13.2603-T

Items	A13.2603 Metallurgical Microscope Specification	B	T	Cata. No.
Head	Seidentopf Binocular Head Inclined 30°, Eyetube Rotatable 360°, Interpupillary Distance 48-75mm	●		A53.2601-B
	Seidentopf Trinocular Head Inclined 30°, Eyetube Rotatable 360°, Interpupillary Distance 48-75mm, Light Split Fixed P20/E80		●	A53.2601-T
Eyepiece	WF10x/18mm, High Eyepoint,	●	●	A51.2602-1018
	WF10x/18mm, With Micrometer X-0.1mm*180 Div / Y-Single Line, Diopter Adjustable	●	●	A51.2605-1018D
Nosepiece	Quadruple, Backward	●	●	A54.2610-N03
Metallurgical LWD Infinity Plan Objectives	LPL 5x/0.13, W.D.=16.04mm	●	●	A5M.2633-5
	LPL 10x/0.25, W.D.=18.48mm	●	●	A5M.263310
	LPL 20x/0.40, W.D.=8.35mm	○	○	A5M.2633-20
	LPL 50x/0.70, W.D.=1.95mm	●	●	A5M.2633-50
	LPL 80x/0.80, W.D.=0.85mm	○	○	A5M.2633-80
	LPL 100x/0.90(Dry), W.D.=1.00mm	○	○	A5M.2633-100
Working Stage	Double Layer Mechanical Stage Size 200×140mm, Travel Range 76×52mm	●	●	A54.2601-S03T
Focusing	Coaxial Coarse And Fine Focusing Knobs, Travel Range: 22mm, Scale: 2μm	●	●	
Illumination	Reflect Light Source, 5W LED Lamp, With Five Holes Filter Disc (Blue, Green, Amber, Grey, Empty)	●	●	A56.2613-12V20W
Power Supply	Powered By Safety Low Voltage Charger, Input Wide Voltage 100V-240V, Output 5V1A, Support Power Bank Supply For Outdoor Use			
Polarizing	Analyzer + Polarizer	○	○	A5P.2603-BS
Adapter	C-Mount 0.5x, Focus Adjustable	○	○	A55.2601-B05
	C-Mount 1.0x, Focus Adjustable	○	○	A55.2601-B10
Package	Carton Size 565*310*410mm, 1 Unit/Ctn			
Weight	Gross Weight 9.0kgs, Net Weigh 6.0kgs			

Note: "●" In Table Is Standard outfits, "○" Is Optional Accessories.



A13.2603 Inverted Metallurgical Microscope Size(mm)

Product Accessories



A55.2601-B05
0.5x C-Mount (Focus Adjustable)



A55.2601-B10
1x C-Mount (Focus Adjustable)



A51.2602-1018
WF10x/18mm



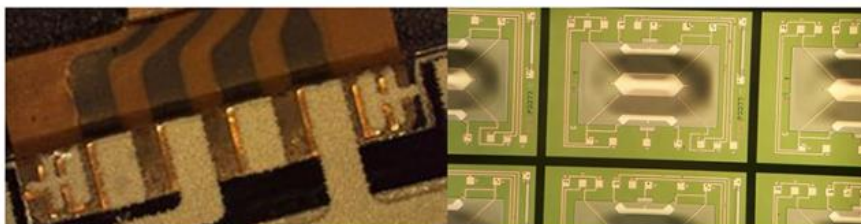
A5P.2603-BS
Analyzer + Polarizer



A54.2610-N03
Quadruple, Backward




A5M.2633
Metallurgical LWD Infinity Plan Objectives





 0086 13911110627

 sale@optoedu.com

 cnoec.com

F-1501 Wanda Plaza, No. 18 Shijingshan Road, Beijing 100043, China