



OPTO-EDU A23.2604 Zoom Stereo Microscope 0.68~4.7x 1:6.8 Binocular Up/Down 3W LED

Our Product Introduction

for more products please visit us on cnoec.com

Basic Information

- Place of Origin: China
- Brand Name: CNOEC, OPTO-EDU
- Certification: CE,
- Model Number: A23.2604
- Minimum Order Quantity: 1 pc
- Price: FOB \$1~1000, Depend on Order Quantity
- Packaging Details: Carton Packing, For Export Transportation
- Delivery Time: 5~20 Days
- Payment Terms: T/T, West Union, Paypal
- Supply Ability: 5000 pcs/ Month



Product Specification

- Head: Seidentopf Binocular Head Inclined 40°, Interpupillary Distance 50-75mm
- Eyepiece: 0.65~5.3x, Zoom Knob With Magnifying Stop Pin
- Zoom Lens: 0.68~4.7x, Zoom Knob With Magnifying Stop Pin
- Zoom Ratio: '1:8.1
- Working Distance: 6.5x~53x, Max 3.25x~212x With Optional Eyepiece & Auxiliary Lens
- Stand: Large Track Stand, Base Size 330x300cm
- Highlight: **digital usb microscope,**
portable digital microscope



More Images



Product Description

0.68~4.7x Zoom Lens, High Zoom Ratio 1:6.8, Outstanding Ergonomic Design
Total Magnification Up To 3.4x~188x (View Field 67.65~1.38mm) With Optional Eyepiece & Lens
Binocular & Trinocular Head 35° Viewing Angle Large View WF10x/23mm Eyepiece
Zoom Knob With Magnifying Stop Pin Enable User To Limit Zoom Range As Need Easily
Large Track Stand 33x30cm High Stability, Reflect & Transmit 3W LED Light Available



OPTO-EDU (BEIJING) CO., LTD.

F-1501 Wanda Plaza, No.18 Shijingshan Road, Beijing 100043, China
Tel:+8610 88696020 Fax:+8610 88696085

A23.2603/A23.2604/A23.2605

Zoom Stereo Microscope



for more products please visit us on cnoec.com

Our Product Introduction

A23.2603/A23.2604/A23.2605 Zoom Stereo Microscope



A23.2603-B



A23.2603-BL



A23.2604-B/A23.2605-B



A23.2604-BL/A23.2605-BL



A23.2604-T/A23.2605-T



A23.2604-TL/A23.2605-TL

Product General Layout Diagram



Trinocular + SLR Camera



Trinocular + WiFi Camera



Eyepiece Tube Dia.30mm, High Eyepoint, Diopter Adjustable

Eyepiece

Eyepiece tube Dia.30mm, High eyepoint, diopter adjustable



Zoom Lens

With auxiliary 0.5x/0.75x/2.0x lens to get higher magnification

A23.2603 Zoom Lens 0.7x~4.5x, Zoom Ratio 1:6.5 Technical Data					
Auxiliary Lens		0.5x	0.75x	1x (Standard)	2.0x
Working Distance		184mm	128 mm	108mm	40mm
Eyepieces 10x/22mm	Magnification	3.5x~22.5x	5.25x~33.75x	7x~45x	14x~90x
	View Field (mm)	62.86~9.78	41.91~6.52	31.43~4.89	15.72~2.45
Eyepieces 15x/16mm	Magnification	5.25x~33.75x	7.87x~50.63x	10.5x~67.5x	21x~135x
	View Field (mm)	48.57~7.56	32.38~5.04	24.29~3.78	12.14~1.89
Eyepieces 20x/12mm	Magnification	7x~45x	10.5x~67.5x	14x~90x	28x~180x
	View Field (mm)	37.14~5.78	24.76~3.85	18.57~2.89	9.29~1.44
A23.2604 Zoom Lens 0.68x~4.7x, Zoom Ratio 1:6.8 Technical Data					
Auxiliary Lens		0.5x	0.75x	1x (Standard)	2.0x
Working Distance		184mm	128 mm	108mm	40mm
Eyepieces 10x/23mm	Magnification	3.4x~23.5x	5.1x~35.3x	6.8x~47x	13.6x~94x
	View Field (mm)	67.65~9.75	45.1~6.52	33.82~4.89	16.91~2.45
Eyepieces 15x/16mm	Magnification	5.1x~35.3x	7.65x~52.9x	10.2x~70.5x	20.4x~141x
	View Field (mm)	50.0~7.23	33.33~4.82	25.0~3.62	12.5~1.81
Eyepieces 20x/12mm	Magnification	6.8x~47x	10.2x~70.5x	13.6x~94x	27.2x~188x
	View Field (mm)	38.24~5.53	25.49~3.69	19.12~2.77	9.56~1.38
A23.2605 Zoom Lens 0.65x~5.3x, Zoom Ratio 1:8.1 Technical Data					
Auxiliary Lens		0.5x	0.75x	1x (Standard)	2.0x
Working Distance		184mm	128 mm	108mm	40mm
Eyepieces 10x/24mm	Magnification	3.25x~26.5x	4.88x~39.75x	6.5x~53x	13x~106x
	View Field (mm)	73.85~9.06	49.18~6.04	36.92~4.53	18.46~2.27
Eyepieces 15x/16mm	Magnification	4.88x~39.75x	7.32x~59.63x	9.75x~79.5x	19.5x~159x
	View Field (mm)	52.25~6.42	34.84~4.28	26.15~3.21	13.08~1.6
Eyepieces 20x/12mm	Magnification	6.5x~53x	9.75x~79.5x	13x~106x	26x~212x
	View Field (mm)	40~4.91	26.67~3.27	20~2.45	10~1.23



Rotating Switching To Video Output And Input
100% Light Distribution

Trinocular Inclined 35°, Light Split Switch E100:P0/E0:P100

Rotating switching to video output and input, 100% light distribution



Zoom Knob With Magnifying Stop Pin, User Can
Limit The Zoom Range As Per Self-choice

Zoom Knob

Zoom knob with magnifying stop pin, User can limit the zoom range as per self-choice



Powered By Safety Low Voltage Charger, Input Wide Voltage 100V-240V, Output 5V1A, Support Power Bank Supply For Outdoor Use

**Up/Bottom 3W LED
Powered By Safety Low Voltage Charger**

Input Wide Voltage 100V-240V, Output 5V1A, Support Power Bank Supply For Outdoor Use

Items	A23.26 Series Zoom Stereo Microscope	A23.2603		A23.2604				A23.2605				Cata. No.	
		B	BL	B	BL	T	TL	B	BL	T	TL		
Head	Seidentopf Head, Interpupillary Distance 50-75mm												
	Binocular Head Inclined 40°	●	●										
	Binocular Head Inclined 35°			●	●			●	●				
	Trinocular Inclined 35°, Light Split Switch E100:P0/E0:P100					●	●			●	●		
	Trinocular Upgrade To Light Split Fixed E50:P50					○	○			○	○	A53.2650-E50P50	
Eyepiece	Eyepiece Tube Dia.30mm, High Eyepoint, Diopter Adjustable	●	●	●	●	●	●	●	●	●	●		
	WF10x/22mm, Pair	●	●									A51.2621-1022	
	WF10x/23mm, Pair			●	●	●	●					A51.2621-1023	
	WF10x/24mm, Pair							●	●	●	●	A51.2621-1024	
Zoom Lens	0.7x~4.5x, Zoom Ratio 1:6.5	●	●										
	0.68~4.7x, Zoom Ratio 1:6.8			●	●	●	●						
	0.65~5.3x, Zoom Ratio 1:8.1							●	●	●	●		
Zoom Knob	With Magnifying Stop Pin			●	●	●	●	●	●	●	●		
Magnification	7.0x~45x, Up to 3.5x~180x By Optional Auxiliary Lens	●	●										
	6.8x~47x, Up to 3.4x~188x By Optional Auxiliary Lens			●	●	●	●						
	6.5x~53x, Up to 3.25x~212x By Optional Auxiliary Lens							●	●	●	●		
W.D.	Working Distance 108mm, With Standard 1x Lens	●	●	●	●	●	●	●	●	●	●	A54.2601-S04	
Stand	Large Track Stand, Base Size 33x30cm, Track Stand Focusing Range 80mm No Light Source	●		●		●		●		●		A54.2609-T	
	Large Track Stand, Base Size 33x30cm, Track Stand Focusing Range 80mm Up/Bottom 3W LED, Power By Safety Low Voltage Charger		●	●	●	●	●	●	●	●	●	A54.2609-TL	
Package	Carton Size 480x370x475mm, 1 Unit/Ctn												
Weight	Gross Weight: 8 kgs, Net Weight: 6.5 kgs												
Note: "●" In Table Is Standard outfits, "○" Is Optional Accessories													
Items	Zoom Stereo Microscope Optional Accessories											Cata. No.	
Eyepiece	WF15X/16mm, Dia.30mm, High Eyepoint, Diopter Adjustable												A51.2621-1516
	WF20X/12mm, Dia.30mm, High Eyepoint, Diopter Adjustable												A51.2621-2012
Auxiliary Lens	0.5x, W.D.189mm												A52.2621-05
	0.75x, W.D.128mm												A52.2621-75
	2.0x, W.D.36mm												A52.2621-20
	Small Pole Stand, Base Size 300x220cm, No Light, Pole Stand Focusing Range 115mm												A54.2609-P

Stand	Large Track Stand, Coaxial Coarse/Fine Focus, Base Size 330x300cm, No Light, Track Stand Focusing Range 80mm	A54.2609-TF
	Large Track Stand, Coaxial Coarse/Fine Focus, Base 330x300cm, 3W LED Up/Bottom Light, Track Stand Focusing Range 80mm	A54.2609-TFL
CCD Adapter	1.0x, Focus Adjustable	A55.2601-SZ10
	0.7x, Focus Adjustable	A55.2601-SZ07
	0.5x, Focus Adjustable	A55.2601-SZ05
Polarizing	Polarizer + Analyzer, For Stereo Microscope	A5P.2604
Connect Ring	LED Light Connect Ring	A56.2602-R
Working Stage	XY Travel Range 75x56mm, Stage Size 180x155x27mm, Glass Size 116x96mm, Min Scale 0.1mm, Diameter Φ 95 for Connecting stand base: 95mm	A54.1632
Micrometer	10 Kinds Of Regular Eyepiece Micrometer Model	A58.2002
Light Source	LED Ring Light, 56 LEDs, 4.5W, AC 100~240V, Inner Dia. 58mm	A56.2103-A
	LED Cold Light, 10W-30W	A56.2617
	Halogen Cold Light Source, 150W	A56.2618

Product Accessories



A53.2650-E50P50
Trinocular Head Inclined 35° , Light Split Fixed E50:P50 (Optional)



A55.2601-SZ05 **A55.2601-SZ07** **A55.2601-SZ10**
0.5x C-Mount 0.7x C-Mount 1.0x C-Mount



A56.2617
LED Cold Light, 10W-30W



A56.2617
Halogen Cold Light Source, 150W



A51.2621-1022
WF10x/22mm



A51.2621-1023
WF10x/23mm



A51.2621-1024
WF10x/24mm



A51.2621-1516
WF15x/16mm



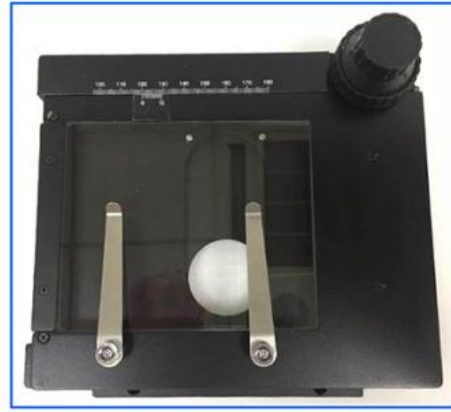
A51.2621-2012
WF20x/12mm



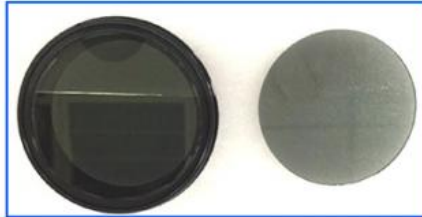
A52.2621-05 **A52.2621-75** **A52.2621-20**
0.5x Auxiliary Lens 0.75x Auxiliary Lens 2.0x Auxiliary Lens



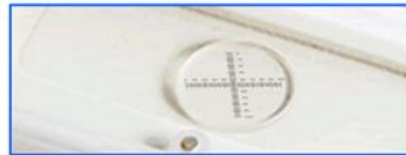
A56.2602-R Connect Ring
A56.2103-A LED Ring Light



A54.1632
Mechanical Stage



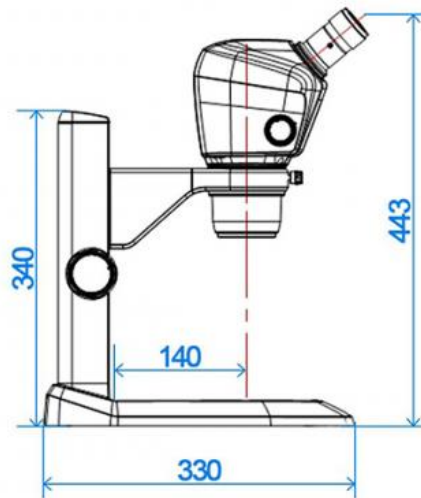
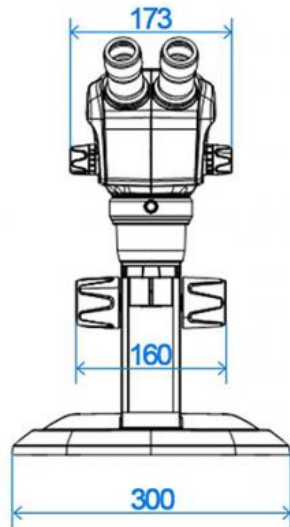
A5P.2604
Polarizer + Analyzer



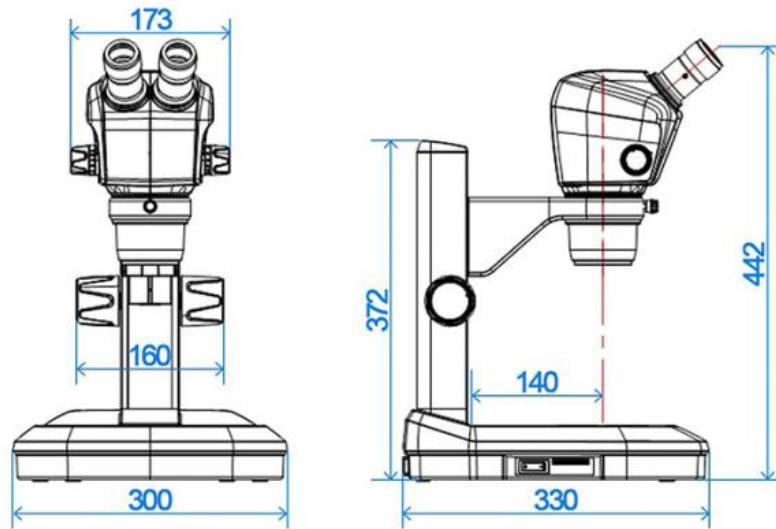
A58.2002
Eyepiece Micrometer

Product Size(mm)

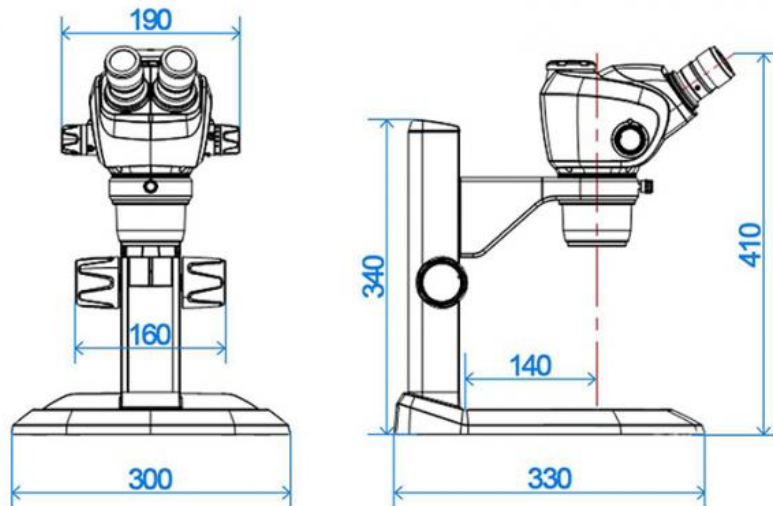
A23.2603 With No Light Large Track Stand



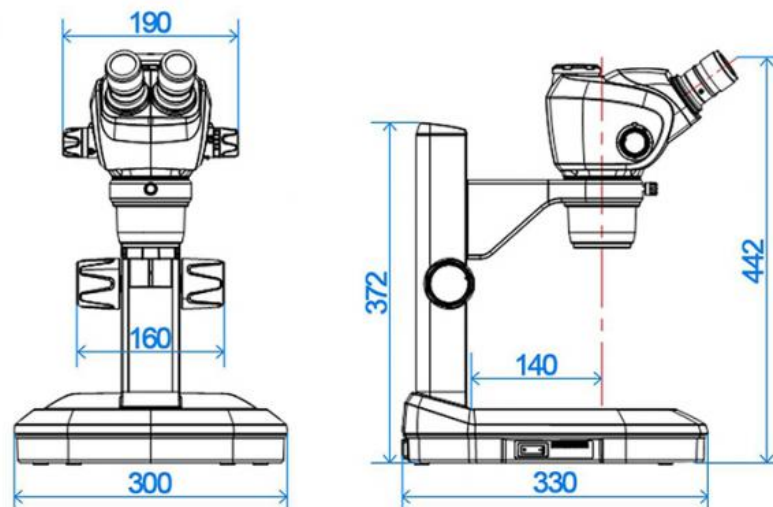
A23.2603 With LED Large Track Stand



A23.2604/A23.2605 With No Light Large Track Stand



A23.2604/A23.26005 With LED Large Track Stand



Opto-Edu (Beijing) Co., Ltd.

0086 13911110627

sale@optoedu.com

cnoec.com

