



LWD 4 Holes Metallurgical Optical Microscope / Inverted Metallurgical Microscope

Our Product Introduction

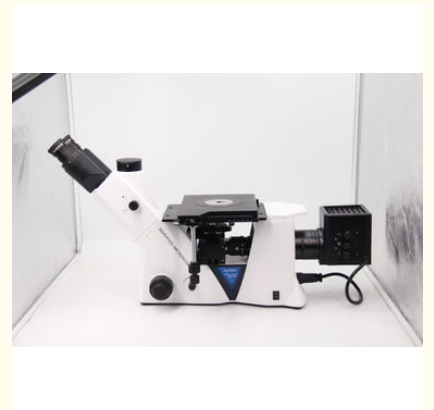
Basic Information

- Place of Origin: China
- Brand Name: CNOEC, OPTO-EDU
- Certification: CE, Rohs
- Model Number: A13.2606-BD
- Minimum Order Quantity: 1 pc
- Price: FOB \$1~1000, Depend on Order Quantity
- Packaging Details: Carton Packing, For Export Transportation
- Delivery Time: 5~20 Days
- Payment Terms: T/T, West Union, Paypal
- Supply Ability: 5000 pcs/ Month



Product Specification

- Certificate: CE, Rohs
- Magnification: 50x100x200x500x
- Drawtube: Trinocular
- Eyepiece: WF10x/22
- Nosepiece: 4 Holes
- Objective: LWD Metallurgical Infinity Plan BF 5x10x20x50x
- Working Stage: Three Layer Mechanical Stage
- Focusing: Coaxial Coarse & Fine
- Light Source: 12V50W Halogen
- Power Supply: 100~240V
- Highlight: **reflected light microscope, halogen lamp microscope**



More Images



for more products please visit us on cnoec.com

Product Description

OPTO-EDU A13.2606-BD Trinocular Inverted Metallurgical Microscope

Product Description

A13.2606 Inverted Metallurgical Microscope is a kind of metallurgical microscope whose objective is under the stage. The special design is for observing and operating specimen more convenient, especially for specimen of height. Metallurgical microscope is used for material surface observation and mechanical state detection. It can accurately display the color of different metals and easy to use for analysing the internal structure of electronic products.



OPTO-EDU (BEIJING) CO., LTD.

F-1501 Wanda Plaza, No.18 Shijingshan Road, Beijing 100043, China
Tel:+8610 88696020 Fax:+8610 88696085

A13.2606

Inverted Metallurgical Microscope

Reflect Light



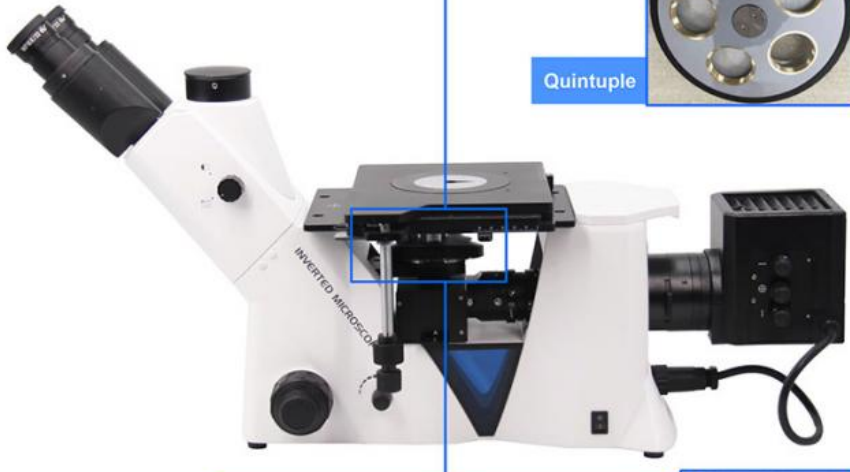
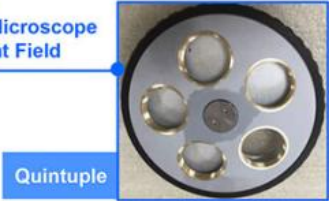
for more products please visit us on cnoec.com

Our Product Introduction

A13.2606 & A13.2606-BD Metallurgical Microscope



A13.2606
Invered Metallurgical Microscope
Reflect Light, Bright Field



A13.2606-BD
Invered Metallurgical Microscope
Reflect Light, Bright & Dark Field

Quadruple(Specially For
Bright & Dark Field objectives)



Metallurgical LWD Infinity Plan BD
(Bright & Dark Field) Objectives



Super Wide Field Eyepiece

Seidentopf Trinocular Head Inclined 30°, Interpupillary Distance 48~76mm, Light Split Switch E100:P0 / E20:P80
WF10x/22mm, With Micrometer



Working Stage

Stage Size 210x180mm, Moving Range 50x50mm



Metallurgical LWD Infinity Plan BF (Bright Field) Objectives

Objectives For A13.2606

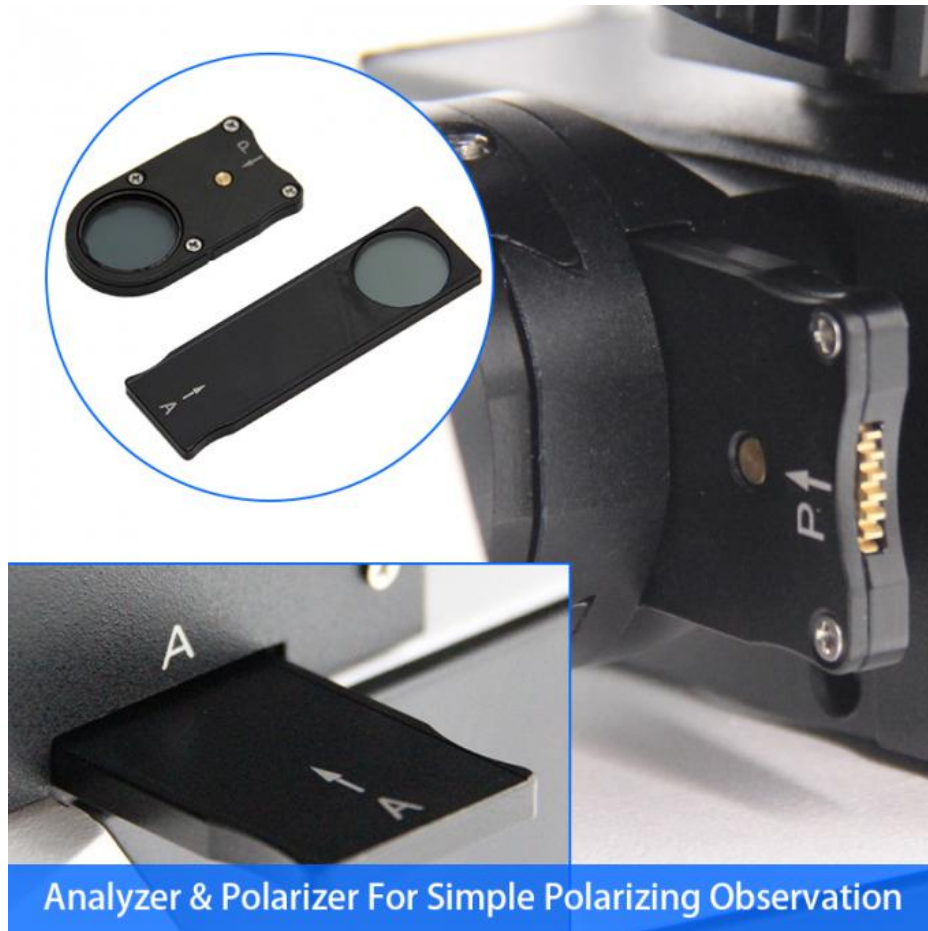
Metallurgical LWD Infinity Plan BF (Bright Field) & BD (Bright & Dark Field) Objectives



High Brightness Reflect Light Halogen 12V50W Koehler Illumination

Illumination

Koehler Illumination Halogen 12V/50W, Input Voltage 100V~240V



Analyzer & Polarizer For Simple Polarizing Observation

Polarizing

Analyzer & Polarizer for simple polarizing observation

Product Accessories



A55.2601-05
C-Mount 0.5x
Focus
Adjustable



A55.2601-75
C-Mount 0.75x
Focus
Adjustable



A55.2601-10
C-Mount 1.0x
Focus
Adjustable



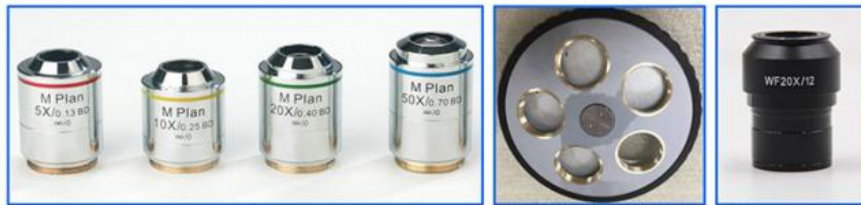
A55.2610
Digital Eyepiece
Camera Adapter
Dia. 23.2mm/25mm



A5M.2633
WF10x/22mm Metallurgical LWD Infinity Plan BF
(Bright Field) Objectives



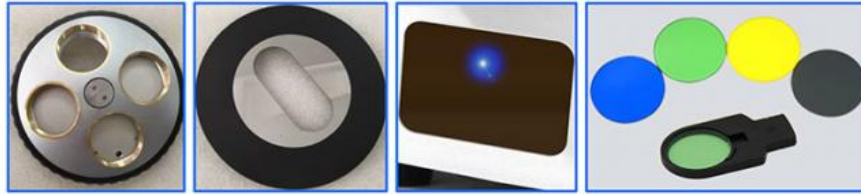
A51.2621-1516
WF15x/16mm



A5M.2634
Metallurgical LWD Infinity Plan BD
(Bright & Dark Field) Objectives

A54.2610-N925
Quintuple

A51.2621-2012
WF20x/12mm



A54.2610-N924
Quadruple
(Specially
For Bright &
Dark Field
objectives)

A54.2601-MD400
Round Plate
With Oval Hole

A56.2660 ECO
Auto Power
Off System

A56.2616
Filter: Blue,
Green;
Amber; Grey

Product Multi-angle

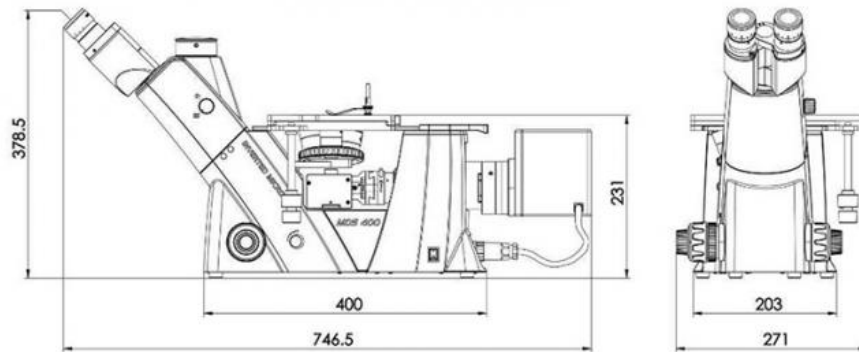


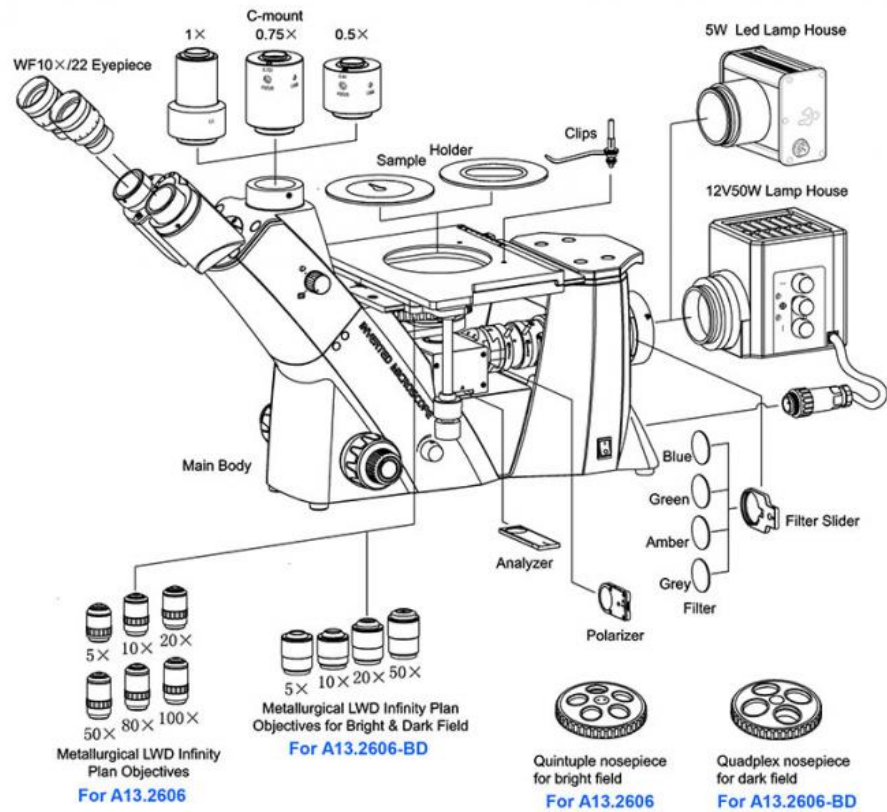
Items	A13.2606 Invered Metallurgical Microscope	A13.2606	A13.2606-BD	Cata. No.
Head	Seidentopf Trinocular Head Inclined 30°, Interpupillary Distance 48~76mm, Light Split Switch E100:P0 / E20:P80	●	●	A53.2643
Eyepiece	WF10x/22mm, Dia.30mm, High Eyepoint, Diopter Adjustable	●	●	A51.2621-1022
	WF10x/22mm, Dia.30mm, High Eyepoint, Diopter Adjustable, With Micrometer X-0.1mm*180 Div / Y-Single Line	●	●	A51.2622-1022
	WF15x/16mm, Dia.30mm, High Eyepoint, Diopter Adjustable	○	○	A51.2621-1516
	WF20x/12mm, Dia.30mm, High Eyepoint, Diopter Adjustable	○	○	A51.2621-2012
Nosepiece	Quintuple	●	-	A54.2610-N925
	Quadruple(Specially For Bright&Dark Field objectives)	-	●	A54.2610-N924
Metallurgical LWD Infinity Plan BF (Bright Field) Objectives	LPL 5x/0.13, W.D.=16.04mm	●	○	A5M.2633-5
	LPL 10x/0.25, W.D.=18.48mm	●	○	A5M.263310
	LPL 20x/0.40, W.D.=8.35mm	●	○	A5M.2633-20
	LPL 50x/0.70, W.D.=1.95mm	●	○	A5M.2633-50
	LPL 80x/0.80, W.D.=0.85mm	○	○	A5M.2633-80
Metallurgical LWD Infinity Plan BD (Bright & Dark Field) Objectives	LPL 100x/0.90(Dry), W.D.=1.10mm	○	○	A5M.2633-100
	LPL 5x/0.13BD, W.D.=16.04mm	-	●	A5M.2634-5
	LPL10x/0.25BD, W.D.=18.48mm	-	●	A5M.2634-10
	LPL 20x/0.40BD, W.D.=8.35mm	-	●	A5M.2634-20
Working Stage	LPL 50x/0.70BD, W.D.=1.95mm	-	●	A5M.2634-50
	Stage Size 210×180mm, Moving Range 50×50mm, Scale 0.1mm, Round Plate Size Dia.110mm	●	●	A54.2601-S11T
	Round Plate With Oval Hole	○	○	A54.2601-MD400

Focusing	Coaxial Coarse & Fine Focusing, Coarse Focusing Travel Range: 10mm, Fine Focusing Div. 0.002mm, Fine Stroke Per Rotation 0.2mm	●	●	
Polarizing	Analyzer + Polarizer Set	●	●	A5P.2602
Illumination	Koehler Illumination Halogen 12V/50W, Input Voltage 100V~240V	●	●	A56.2613-12V50W
	Koehler Illumination 5W LED, Input Voltage 100V~240V	○	○	A56.2651-5W
Power	ECO, Auto Power Off System. Power Off Automatically Upon User Leaving 10 Minutes, Power On Automatically Upon User Approaching Detected, This Function Can Be Shut Down Manually	○	○	A56.2660
Filter	Blue, Dia.34mm	●	●	A56.2616-34B
	Green, Dia.34mm	○	○	A56.2616-34G
	Amber, Dia.34mm	○	○	A56.2616-34A
	Grey, Dia.34mm	○	○	A56.2616-34N
Adapter	SLR Digital Camera Adapter For Canon, 100% Light For Camera Port	○	○	A55.2622-BC
	SLR Digital Camera Adapter For Nikon, 100% Light For Camera Port	○	○	A55.2622-BN
	C-Mount 0.5x, Focus Adjustable	○	○	A55.2601-05
	C-Mount 0.75x, Focus Adjustable	○	○	A55.2601-75
	C-Mount 1.0x, Focus Adjustable	○	○	A55.2601-10
	Digital Eyepiece Camera Adapter, Dia. 23.2mm/25mm	○	○	A55.2610
Package	Packing Size: 660mmx590mmx325mm			
Weight	Gross Weight: 17 kgs, Net Weight: 12.5 kgs			
Note: "●" In Table Is Standard outfits, "○" Is Optional Accessories.				

Product Size(mm) & General Layout Diagram

A13.2606 Size(mm)





Opto-Edu (Beijing) Co., Ltd.

☎ 0086 13911110627

✉ sale@optoedu.com

🌐 cnoec.com

F-1501 Wanda Plaza, No. 18 Shijingshan Road, Beijing 100043, China