



## Trinocular Head Metallurgical Optical Microscope 4 Holes Nosepiece Three Layer Mechanical Stage

Our Product Introduction

for more products please visit us on [cnoec.com](http://cnoec.com)

### Basic Information

- Place of Origin: China
- Brand Name: CNOEC, OPTO-EDU
- Certification: CE, Rohs
- Model Number: A13.2606-A
- Minimum Order Quantity: 1 pc
- Price: FOB \$1~1000, Depend on Order Quantity
- Packaging Details: Carton Packing, For Export Transportation
- Delivery Time: 5~20 Days
- Payment Terms: T/T, West Union, Paypal
- Supply Ability: 5000 pcs/ Month



### Product Specification

- Certificate: CE, Rohs
- Magnification: 50x100x200x500x
- Drawtube: Trinocular
- Eyepiece: WF10x/22
- Nosepiece: 4 Holes
- Objective: LWD Metallurgical Infinity Plan BF 5x10x20x50x
- Working Stage: Three Layer Mechanical Stage
- Focusing: Coaxial Coarse & Fine
- Light Source: 12V50W Halogen
- Power Supply: 100~240V
- Highlight: **reflected light microscope, halogen lamp microscope**



### More Images

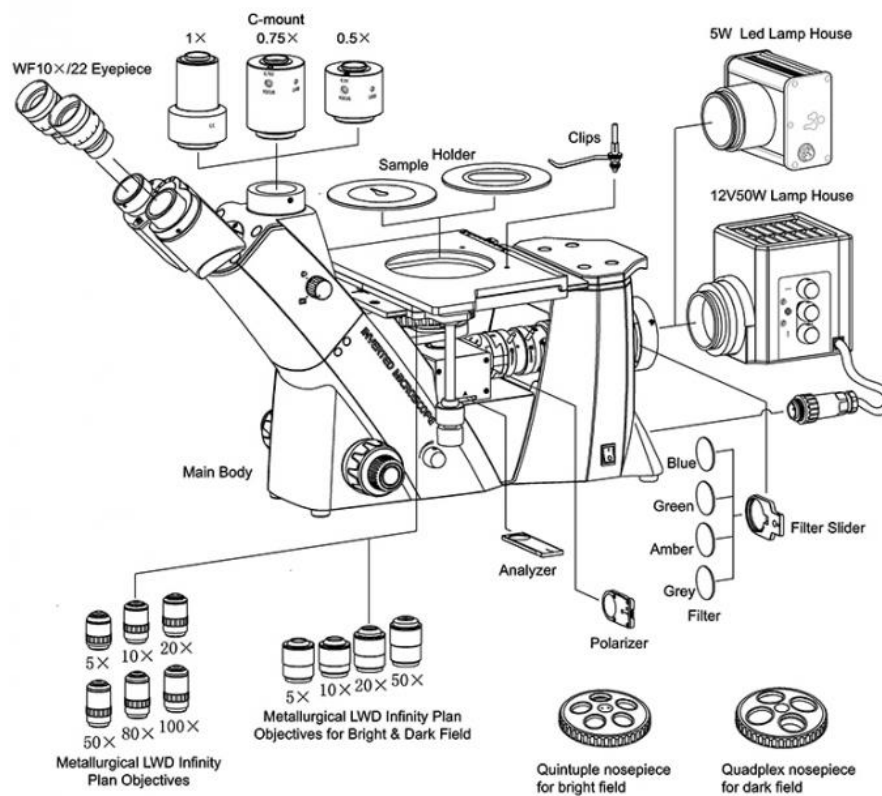
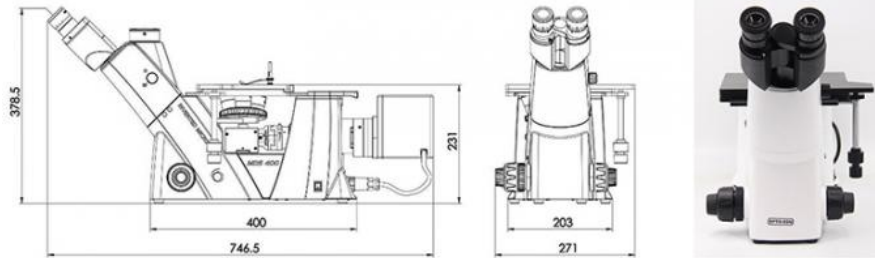


## Product Description

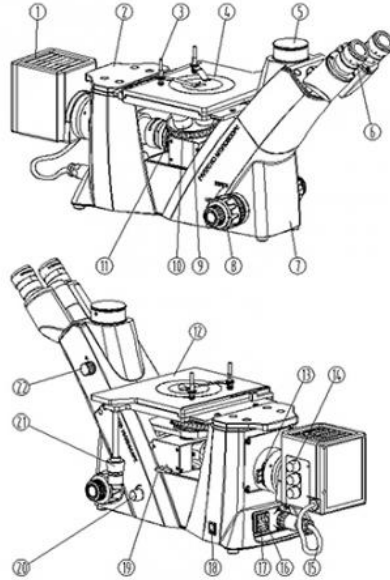
trinocular head optical laboratory industrial upright laboratory metallurgical microscope

Items	A13.2606 Inverted Metallurgical Microscope	A13.2606	A13.2606 -BD	Cata. No.
Head	Seidentopf Trinocular Head Inclined 30°, Interpupillary Distance 48~76mm, Light Split Switch E100:P0 / E20:P80	●	●	A53.2643
Eyepiece	WF10x/22mm, Dia.30mm, High Eyepoint, Diopter Adjustable	●	●	A51.2621-1022
	WF10x/22mm, Dia.30mm, High Eyepoint, Diopter Adjustable, With Micrometer X-0.1mm*180 Div / Y-Single Line	●	●	A51.2622-1022
	WF15X/16mm, Dia.30mm, High Eyepoint, Diopter Adjustable	○	○	A51.2621-1516
	WF20X/12mm, Dia.30mm, High Eyepoint, Diopter Adjustable	○	○	A51.2621-2012
Nosepiece	Quintuple	●		A54.2610-N925
	Quadruple(Specially For Bright&Dark Field objectives)		●	A54.2610-N924
Metallurgical LWD Infinity Plan BF (Bright Field) Objectives	LPL 5x/0.13, W.D.=16.04mm	●		A5M.2633-5
	LPL10x/0.25, W.D.=18.48mm	●		A5M.263310
	LPL 20x/0.40, W.D.=8.35mm	●		A5M.2633-20
	LPL 50x/0.70, W.D.=1.95mm	●		A5M.2633-50
	LPL 80x/0.80, W.D.=0.85mm	○		A5M.2633-80
	LPL 100x/0.90(Dry), W.D.=1.00mm	○		A5M.2633-100
Metallurgical LWD Infinity Plan BD (Bright & Dark Field) Objectives	LPL 5x/0.13BD, W.D.=16.04mm		●	A5M.2634-5
	LPL10x/0.25BD, W.D.=18.48mm		●	A5M.2634-10
	LPL 20x/0.40BD, W.D.=8.35mm		●	A5M.2634-20
	LPL 50x/0.70BD, W.D.=1.95mm		●	A5M.2634-50
Working Stage	Stage Size 210×180mm, Moving Range 50×50mm, Scale 0.1mm, Round Plate Size Dia.110mm	●	●	A54.2601-S11T
	Round Plate With Oval Hole	○	○	A54.2601-MD400
Focusing	Coaxial Coarse & Fine Focusing, Coarse Focusing Travel Range: 10mm, Fine Focusing Div. 0.002mm, Fine Stroke Per Rotation 0.2mm	●	●	
Polarizing	Analyzer + Polarizer Set	●	●	A5P.2602
Illumination	Koehler Illumination Halogen 12V/50W, Input Voltage 100V~240V	●	●	A56.2613-12V50W
	Koehler Illumination 5W LED, Input Voltage 100V~240V	○	○	A56.2651-5W
Power	ECO, Auto Power Off System. Power Off Automatically Upon User Leaving 10 Minutes, Power On Automatically Upon User Approaching Detected, This Function Can Be Shut Down Manually	○	○	A56.2660
Filter	Blue, Dia.34mm	●	●	A56.2616-34B
	Green, Dia.34mm	○	○	A56.2616-34G
	Amber, Dia.34mm	○	○	A56.2616-34A
	Grey, Dia.34mm	○	○	A56.2616-34N

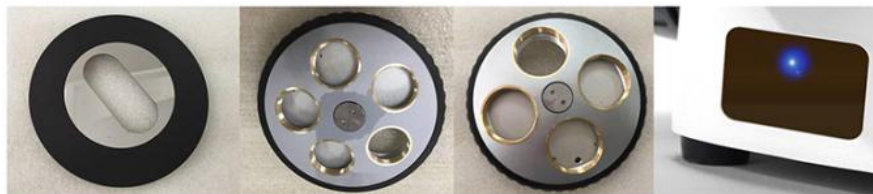
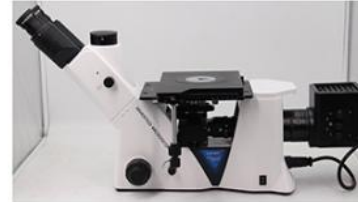
Adapter	SLR Digital Camera Adapter For Canon, 100% Light For Camera Portt	○	○	A55.2622-BC
	SLR Digital Camera Adapter For Nikon, 100% Light For Camera Port	○	○	A55.2622-BN
	C-Mount 0.5x, Focus Adjustable	○	○	A55.2601-05
	C-Mount 0.75x, Focus Adjustable	○	○	A55.2601-75
	C-Mount 1.0x, Focus Adjustable	○	○	A55.2601-10
	Digital Eyepiece Camera Adapter, Dia. 23.2mm/25mm	○	○	A55.2610
Package	Packing Size: 660mmx590mmx325mm			
Weight	Gross Weight: 17 kgs, Net Weight: 12.5 kgs			
Note: "●" In Table Is Standard outfits, "○" Is Optional Accessories.				



■ A13.2606 Inverted Metallurgical Microscope Size(mm)



Number	Specification
01	Lamp House
02	Handle
03	Clamp
04	Stage Plate
05	Seidentopf Trinocular Head
06	Eyeiece
07	Main Body
08	Coarse & Fine Focusing Knob Stage Moving Knob
09	Nosepiece
10	Objective
11	Polarizer Slider
12	Mechanical Stage
13	Filter Slider
14	Adjustable Knob for lamp bulb
15	Lamp House Power Line
16	Power Socket
17	Fuse Box
18	Power Switch
19	Analyzer Slider
20	Potentiometer Knob
21	Stage Moving Knob
22	Trinocular Changing Knob



A54.2601-MD400  
Round Plate With Oval Hole

A54.2610-N925  
Quintuple

A54.2610-N924  
Quadruple(Specially  
For Bright &  
Dark Field objectives)

A56.2660 ECO  
Auto Power Off System  
(Optional)



A5M.2634  
Metallurgical LWD Infinity Plan BD (Bright  
& Dark Field) Objectives

A51.2621-1516  
WF15x/16mm

A51.2621-2012  
WF20x/12mm



A5M.2633  
WF10x/22mm Metallurgical LWD Infinity Plan BF (Bright Field) Objectives



A55.2601-05 (Optional)  
C-Mount 0.5x  
Focus Adjustable

A55.2601-75 (Optional)  
C-Mount 0.75x  
Focus Adjustable

A55.2601-10 (Optional)  
C-Mount 1.0x  
Focus Adjustable

A55.2610 (Optional)  
Digital Eyepiece Camera Adapter  
Dia. 23.2mm/25mm

A56.2616  
Filter: Blue, Green;  
Amber, Grey (Optional)



---

 0086 13911110627    [sale@optoedu.com](mailto:sale@optoedu.com)    [cnoec.com](http://cnoec.com)

F-1501 Wanda Plaza, No. 18 Shijingshan Road, Beijing 100043, China