



Inverted Metallurgical Optical Microscope WF10x/18mm Eyepiece Quadruple Nosepiece

Our Product Introduction

for more products please visit us on cnoec.com

Basic Information

- Place of Origin: China
- Brand Name: CNOEC, OPTO-EDU
- Certification: CE, Rohs
- Model Number: A13.2602
- Minimum Order Quantity: 1 pc
- Price: FOB \$1~1000, Depend on Order Quantity
- Packaging Details: Carton Packing, For Export Transportation
- Delivery Time: 5~20 Days
- Payment Terms: T/T, West Union, Paypal
- Supply Ability: 5000 pcs/ Month

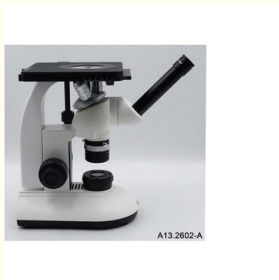


Product Specification

- Head: Head Inclined 45°, Rotatable 360°
- Eyepiece: WF10x/18mm
- Objectives: Metallurgical LWD Infinity Plan Objectives
- Nosepiece: Quadruple
- Stage: Stage Size 180x180mm, Travel Range 30x30mm, Round Plate Size Dia.110mm
- Illuminator: 3W LED Lamp, Wide Voltage: 100V-240V Or 12V 20W Halogen Lamp, Wide Voltage: 100V-240V
- Highlight: **reflected light microscope, halogen lamp microscope**



More Images



Product Description

optical inverted china price of laboratory all kinds of used metallurgical microscope



OPTO-EDU (BEIJING) CO., LTD.

F-1501 Wanda Plaza, No.18 Shijingshan Road, Beijing 100043, China
Tel:+8610 88696020 Fax:+8610 88696085

A13.2602

Inverted Metallurgical Microscope



Our Product Introduction

for more products please visit us on cnoec.com



Monocular Head Inclined 45° , Rotatable 360°

A13.2602-A Monocular Head

Monocular Head Inclined 45°, Rotatable 360°



Seidentopf Binocular Head Inclined 45°
Rotatable 360° , Interpupillary Distance 48-75mm

A13.2602-B Seidentopf Binocular Head

Inclined 45°, Rotatable 360°, Interpupillary Distance 48-75mm



Metallurgical LWD Infinity Plan Objectives

Nosepiece & Objective

Quadruple Nosepiece; Metallurgical LWD Infinity Plan Objectives: 5x, 10x, 50x



3W LED Lamp

Light Source

3W LED Standard Lamp; 12V 20W Halogen Lamp Optional



**Metallurgical Working Stage Size 180x180mm
Travel Range 30x30mm, Round Plate Size Dia.110mm**

Working Stage

Stage Size 180x180mm, Travel Range 30x30mm, Round Plate Size Dia.110mm



**Powered By Safety Low Voltage Charger, Input Wide
Voltage 100V-240V, Output 5V1A, Support Power
Bank Supply For Outdoor Use**

Powered By Safety Low Voltage Charger

Input Wide Voltage 100V-240V, Output 5V1A, Support Power Bank Supply For Outdoor Use

Items	A13.2602 Inverted Metallurgical Microscope Specification	-A	-B	Cata. No.
-------	--	----	----	-----------

Head	Monocular Head Inclined 45°, Rotatable 360°	●		A53.2631-M
	Seidentopf Binocular Head Inclined 45°, Rotatable 360°, Interpupillary Distance 48-75mm		●	A53.2631-B
Eyepiece	WF10x/18mm	●	●●	A51.2602-1018
	WF10x/18mm With Micrometer X-0.1mm*180 Div / Y-Single Line, Diopter Adjustable	○	○	A51.2605-1018D
Nosepiece	Quadruple	●	●	A54.2610-N704R
Metallurgical LWD Infinity Plan Objectives	LPL 5x/0.13, W.D.=16.04mm	●	●	A5M.2633-5
	LPL10x/0.25, W.D.=18.48mm	●	●	A5M.263310
	LPL 20x/0.40, W.D.=8.35mm	○	○	A5M.2633-20
	LPL 50x/0.70, W.D.=1.95mm	●	●	A5M.2633-50
	LPL 80x/0.80, W.D.=0.85mm	○	○	A5M.2633-80
	LPL 100x/0.90(Dry), W.D.=1.00mm	○	○	A5M.2633-100
Working Stage	Stage Size 180x180mm, Travel Range 30x30mm, Round Plate Size Dia.110mm	●	●	A54.2601-MP100
	Round Plate With Oval Hole	○	○	A54.2601-MD400
Light Source	3W LED Lamp, Powered By Safety Low Voltage Charger, Input Wide Voltage 100V-240V, Output 5V1A, Support Power Bank Supply For Outdoor Use	●	●	A56.2612-3W
	12V 20W Halogen Lamp, Wide Voltage: 100V-240V	○	○	A56.2650-20W
Filter	Blue, Dia.32mm	●	●	A56.2616-32B
	Green, Dia.32mm	●	●	A56.2616-32G
	Grey, Dia.32mm	●	●	A56.2616-32N
Micrometer	Division 0.01mm	○	○	A58.2001-901
Package	Carton Size 437*268*522mm, 1 Unit/Ctn			
Weight	Gross Weight 8.0kgs, Net Weight 7.0kgs			
Note: "●" In Table Is Standard outfits, "○" Is Optional Accessories.				

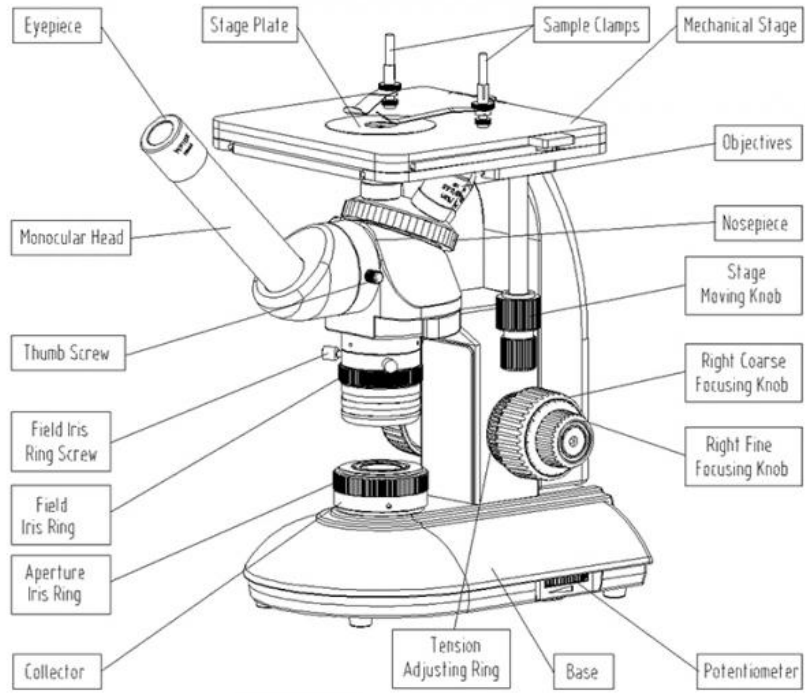
Product Models & Size(mm)



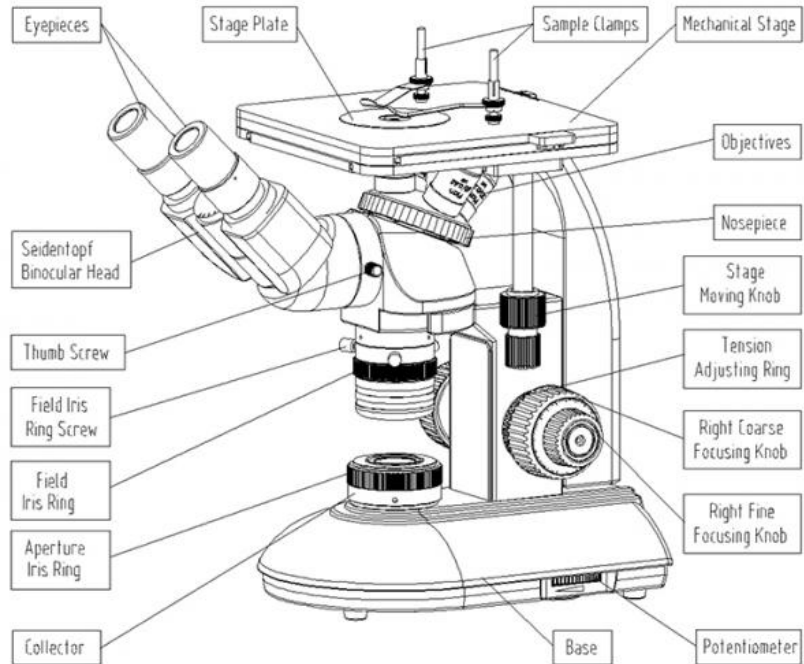
A13.2602-A



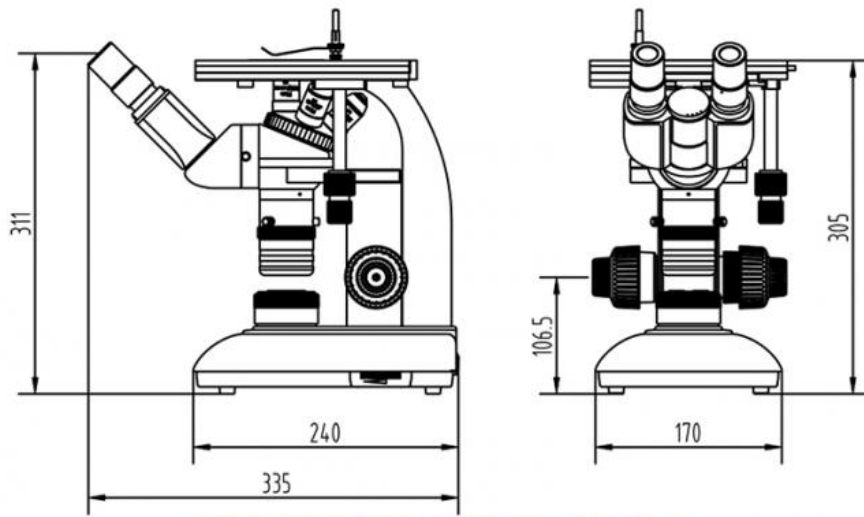
A13.2602-B



A13.2602-A General Layout Diagram



A13.2602-B General Layout Diagram



A13.2602 Inverted Metallurgical Microscope Size(mm)

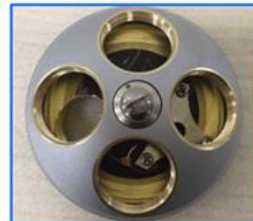
Product Accessories



A51.2602-1018
WF10x/18mm



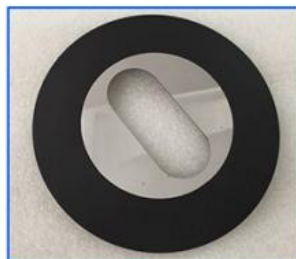
A56.2616
Filter: Blue, Green, Grey



A54.2610-N704R
Quadruple



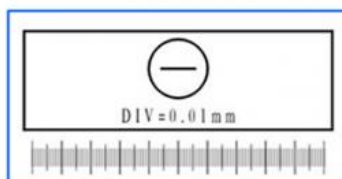
A5M.2633
Metallurgical LWD Infinity Plan Objectives



A54.2601-MD400
Round Plate With Oval Hole



A54.2601-MP100
Working Stage Size 180x180mm



A58.2001-901
Division 0.01mm Micrometer




A58.2002
Eyepiece Micrometer For Measuring Function



 0086 13911110627

 sale@optoedu.com

 cnoec.com

F-1501 Wanda Plaza, No. 18 Shijingshan Road, Beijing 100043, China