



Mechanical Stage Inverted Light Microscope / Digital Inverted Microscope

Our Product Introduction

for more products please visit us on cnoec.com

Basic Information

- Place of Origin: China
- Brand Name: CNOEC, OPTO-EDU
- Certification: CE, Rohs
- Model Number: A14.2603-TR
- Minimum Order Quantity: 1 pc
- Price: FOB \$1~1000, Depend on Order Quantity
- Packaging Details: Carton Packing, For Export Transportation
- Delivery Time: 5~20 Days
- Payment Terms: T/T, West Union, Paypal
- Supply Ability: 5000 pcs/ Month



Product Specification

- Head: Seidentopf Trinocular Head, Inclined 45°, Interpupillary Distance 48~76mm
- Eyepiece: WF10x/22mm, Diopter Adjustable
- Nosepiece: Large Diameter Quintuple
- Phase Contrast: Phase Contrast Annular Plate For 20x/40x
- Filter: Blue, Green
- Light Source: Transmit Light, Halogen 6V30W, Koehler Illumination
- Highlight: **inverted fluorescence microscope, inverted light microscope**



More Images



Product Description

OPTO-EDU A14.2603-TR 100-400x Optical Trinocular Lab Biological Inverted Microscope

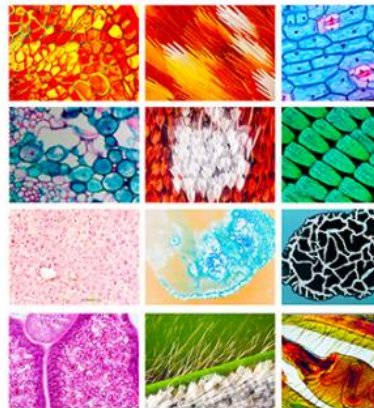
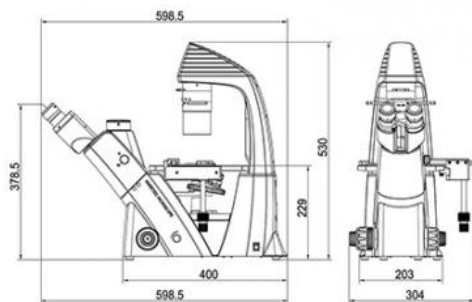
A14.2603-TR Inverted Biological Microscope is a kind of microscope whose objective is under the stage. The special design is for observing and operating specimen more convenient, especially for specimen of height. It's stage is mechanical stage, size 210x241mm, the round slide size is dia.118mm, with attachable mechanical stage for 96 holes plate, moving range 128x80mm. The illumination is transmit light, Koehler illumination halogen 6V30W.

A14.2603-TR Inverted Microscope Specification		
Head	Seidentopf Trinocular Head, Inclined 45°, Interpupillary Distance 48~76mm Light Split (Both) 100:0 and 80:20	
Eyepiece	WF10x/22mm, Diopter Adjustable	
Nosepiece	Large Diameter Quintuple	
Objective	LWD Infinity Plan Objective: LPL10x/0.25 WD=8.3mm LPL20x/0.40 WD=7.2mm LPL40x/0.60 WD=3.4mm LWD Infinity Plan Phase Contrast Objective: 20x/0.40 WD=7.2mm Infinity LWD Plan Objective (no cover glass): LPL10x/0.25, W.D.=14.48mm LPL40x/0.13, W.D.=3.90mm	
Focus System	Low Position, Coaxial Coarse & Fine Focusing System, Coarse Stroke 42mm /Rotation, Fine Stroke 0.2mm /Rotataion, Minimum Reading 2μm	
Stage	Mechanical Stage Size 210x241mm, Round Slide Size Dia.118mm, With Attachable Mechanical Stage For 96 Holes Plate, Moving Range 128x80mm, With Culture Dish Holder 54mm, Knob Can Be Changed By Left Or Right	
Condenser	Long Working Distance, N.A.0.3, Working Distance 72mm (With Condenser),195mm (Without Condenser For Extra High Culture Dish), Quickly Detachable	
Phase Contrast	Phase Contrast Annular Plate For 20x/40x	
Filter	Blue, Green	
Light Source	Transmit Light, 5W LED	
Condenser	LWD N.A.0.3	
Power Supply	Wide Range Voltage 110~240V	
Fluorescence	Upgrade To A16.2613 Fluorescent Microscope by: --Epi Fluorescence Unit, Field Diaphragm, Center Adjustable --100W Mercury Lamp --Digital Mercury Lamp Power Box, Input Voltage:100~240V --Fluorescent Filter B, G	A5F.2601-A

Inverted Microscope CNOPTEC Series

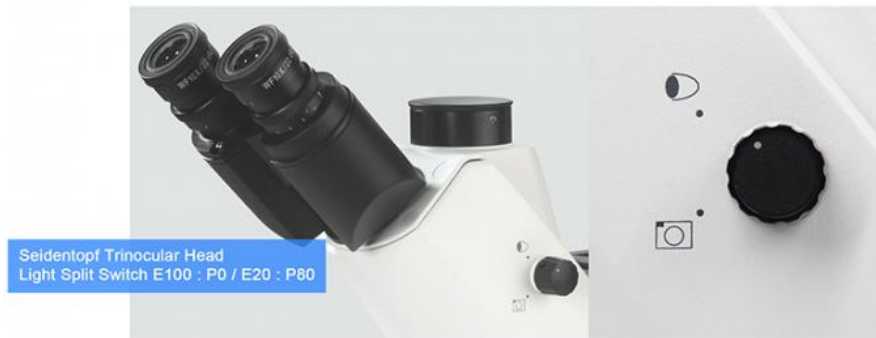


■ A14.2603 Inverted Biological Microscope Size(mm)



Optional Accessories		
Eyepiece	WF15x/16mm	A51.2621-15A
	10x Reticle Eyepiece (0.1mm)	A51.2605-10
Objective	Infinity LWD Plan Objective LPL4x/0.11, WD=12.1mm	A52.2609-4A
	Infinity Plan Phase Contrast Objective 10x/0.25 W.D.=8.3 mm	A5C.2630-10A
	Infinity Plan Phase Contrast Objective 40x/0.60 W.D.=3.4 mm	A5C.2630-40A
	Infinity LWD Plan Objective (no cover glass) LPL5x/0.13, W.D.=24.23mm	A5M.2633-5
	Infinity LWD Plan Objective (no cover glass) LPL20x/0.40, W.D.=8.35mm	A5M.2633-20

	Infinity LWD Plan Objective (no cover glass) LPL50x/0.70(S), W.D.=1.95mm	A5M.2633-50
	Infinity LWD Plan Objective (no cover glass) LPL80x/0.80(S), W.D.=0.85mm	A5M.2633-80
	Infinity LWD Plan Objective (no cover glass) LPL100x/0.90(S), W.D.=1.00mm	A5M.2633-100
Phase Contrast	Centering Telescope	A5C.2610-B
	Phase Contrast Annular Plate For 10x	A5C.2611-10
Filter	Amber	A56.2616-A
	Grey	A56.2616-N
Culture Dish Holder	65mm	A54.2606-65
	35mm	A54.2606-35
Adapter	C-Mount Adapter 0.5x (Focus Adjustable)	A55.2601-05A
	C-Mount Adapter 1.0x	A55.2601-10



Inverted microscope is particularly suitable for living cells and tissues, fluids, sediments and other microscopic research. It is the ideal instrument for biology, cytology, oncology, genetics, immunology and other research work. Inverted microscope is widely used in scientific research, universities, medical, epidemic prevention and agriculture and animal husbandry and other departments.



Opto-Edu (Beijing) Co., Ltd.



0086 13911110627



sale@optoedu.com



cnoec.com

F-1501 Wanda Plaza, No. 18 Shijingshan Road, Beijing 100043, China