



WF10x / 18mm 40 - 400x Polarizing Light Microscope 6V 20W Halogen Lamp Light Source

Our Product Introduction

for more products please visit us on cnoec.com

Basic Information

- Place of Origin: China
- Brand Name: CNOEC, OPTO-EDU
- Certification: CE, Rohs
- Model Number: A15.2603
- Minimum Order Quantity: 1 pc
- Price: Negotiation
- Packaging Details: Carton Packing, For Export Transportation
- Delivery Time: 5~20 Days
- Payment Terms: T/T, West Union, Paypal
- Supply Ability: 5000 pcs/ Month



Product Specification

- Head: Seidentopf Head, Inclined 30°, Rotatable 360°, Interpupillary Distance 48-75mm, Left Eyepiece Tube Diopter Adjustable +/-5°, Trinocular Head Light Split 20:80.
- Eyepiece: WF10x/18mm, 1 Pc WF10x/18mm, With Micrometer 0.1mm Div., 1 Pc
- Nosepiece: Quadruple, Center Adjustable
- Objective: 4x, 10x, 20x, 40x
- Stage: Round Stage, Rotatable 360°, Center Adjustable, Division 1°, Vernier Division 6'
- Condenser: Abbe N.A.1.25, With Iris Diaphragm, Non Stress
- Focusing: Coaxial Coarse And Fine Focusing Knob, Coarse Focusing Range 26mm
- Illumination: Transmit 6V20W Halogen Lamp
- Power: 110V~240V Wide Range Voltage Product Display
- Highlight: student compound microscope



More Images



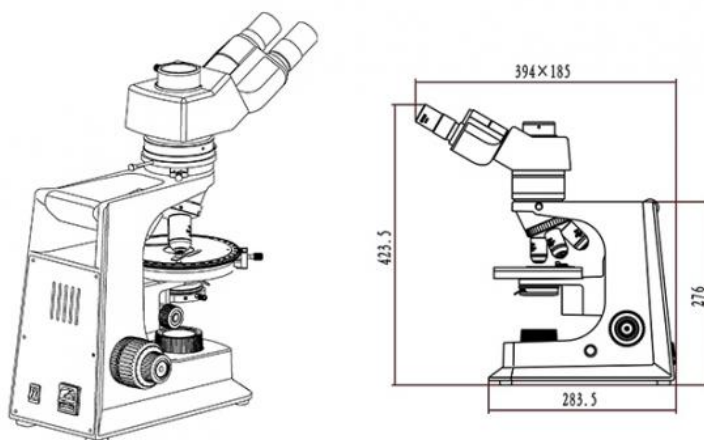
OPTO-EDU A15.2603-B 400X Trinocular Illumination Polarizing Microscope

A15.2603 Polarizing Microscope, with full polarizing function and high quality performance, is the best tools for school and student use.

- Infinity achromatic correction optical system, infinity without stress flat field objective.
- Polarizer unit built-in condenser, with scale, rotatable 360°, can be locked.
- Analyzer unit insert to polarizing media, rotatable 0-90°, can be moved out of optical path.
- Optical compensator: λ slip (first class red), 1/4 λ slip.

Number	Specification	Cata. No.
01	C-Mount 0.5x, Focus Adjustable	A55.2601-05
02	C-Mount 0.75x, Focus Adjustable	A55.2601-75
03	C-Mount 1.0x, Focus Adjustable	A55.2601-10
04	Digital Eyepiece Camera Adapter	A55.2610

■ A15.2603 Metallurgical Microscope Size(mm)



A15.2603 Polarizing Microscope, with full polarizing function and high quality performance, is the best tools for school and student use.

It is a professional polarizing microscope, also named mineralogical microscope, with advanced multifunction, is necessary for researching double refraction sample. It can observe mineral crystal figure, color and interference color and also identify its optical performance. It is a good microscope used in geology, petroleum, coal, Chemical fiber, medical treatment, mineral, drug, criminal investigation fields and physis inspection. It is also widely used in academic demonstration and research.



■ A5P.2616 Attachable Mechanical Stage



■ A5P.2616-LK Attachable Mechanical Stage, Lecia Type



Items	A15.2603 Transmit Polarizing Microscope Specification	-A	-B	Cata. No.
Head	Seidentopf Binocular Head Inclined 30°, Rotatable 360°, Interpupillary Distance 48-75mm	●	○	A53.2621-B
	Seidentopf Trinocular Head Inclined 30°, Rotatable 360°, Interpupillary Distance 48-75mm, Light Split Fixed P20:E80	○	●	A53.2621-T

Eyepiece	WF10x/18mm, High Eyepoint,	●	●	A51.2602-1018
	WF10x/18mm, With Micrometer X-0.1mm*180 Div / Y-Single Line, Diopter Adjustable	●	●	A51.2605-1018D
Nosepiece	Quadruple, Backward	●	●	A54.2610-N08
Non-Stress Infinity Plan Objective	PLAN 4X/0.10, W.D.=12.1mm	●	●	A5P.2630-4
	PLAN 10X/0.25, W.D.=4.64mm	●	●	A5P.2630-10
	PLAN 20X/0.40(S), W.D.=2.41mm	●	●	A5P.2630-20
	PLAN 40X/0.66(S), W.D.=0.65mm	●	●	A5P.2630-40
	PLAN 60X/0.80(S), W.D.=0.33mm	○	○	A5P.2630-60
	PLAN 100X/1.25(S,Oil), W.D.=0.12mm	○	○	A5P.2630-100
Working Stage	Round Stage Diameter Φ 142mm, Rotatable 360°, Division 1', Vernier Division 6', Can Be Locked, Center Adjustable	●	●	A54.2602-S03
	Attachable Mechanical Stage For Polaring Microscope, Moving Range 40x40mm	○	○	A5P.2616
	Attachable Mechanical Stage For Polaring Microscope, Moving Range 30x45mm, Lecia Type, Avoid Hitting Objective Lens	○	○	A5P.2616-LK
Condenser	Non-Stress Abbe N.A.1.25, Iris Diaphragm, Center Adjustable With Polarizer Lens In Bottom	●	●	A56.2614-P6
Polarizing Unit	Analyzer Media Unit, Between Head And Body, Analyzer 0~90° Adjustable, With Bertrand Lens Built-in, Can Be Moved Out Of Optical Path For Single Polarizing Observe Compensator Slide, 3 Holes, With λ Slip (First Class Red) + $1/4\lambda$ Slip.	●	●	A5P.2621-S
	Quartz Wedge Slide (I-IV Class)	●	●	A5P.2613-22a
	Polarizer Lens, Bulit-in Bottom Part Of Condenser Can Be Moved Out Of Optical Path	●	●	A5P.2615-17
		●	●	A5P.2610-S
Transmit Illumination	12V 20W Halogen Lamp, Wide Voltage: 100V-240V	●	●	A56.2613-20W
	6V/30W Halogen Lamp	○	○	A56.2613-30W
	3W LED Lamp	○	○	A56.2651-3W
Filter	Dia.45mm, Blue (Built in)	●	●	A56.2616-45B
	Dia.45mm, Green	○	○	A56.2616-45G
	Dia.45mm, Yellow	○	○	A56.2616-45A
	Dia.45mm, Neutral	○	○	A56.2616-45N
Adapter	C-Mount 0.5x, Focus Adjustable	○	○	A55.2601-05
	C-Mount 0.75x, Focus Adjustable	○	○	A55.2601-75
	C-Mount 1.0x, Focus Adjustable	○	○	A55.2601-10
	Digital Eyepiece Camera Adapter, Dia. 23.2mm/25mm	○	○	A55.2610
Package	Carton Size 570×275×450mm, 1 Unit/Ctn			
Weight	Gross Weight: 8.6 kgs, Net Weight: 7.5 kgs			
Note: "●" In Table Is Standard outfits, "○" Is Optional Accessories.				

Product Display

Non-Stress Infinity Plan Objective 4x,10x,20x,40x Available, 60x, 100x(Optional)

Round Stage Diameter Φ 142mm, Rotatable 360°, Division 1', Vernier Division 6', Can Be Locked, Center Adjustable. (Newly Updated in 2019)



Opto-Edu (Beijing) Co., Ltd.

☎ 0086 13911110627

✉ sale@optoedu.com

🌐 cnoec.com

F-1501 Wanda Plaza, No. 18 Shijingshan Road, Beijing 100043, China