



## Polarizing Microscope Transmitting Light

Our Product Introduction

### Basic Information

- Place of Origin: China
- Brand Name: CNOEC, OPTO-EDU
- Certification: CE, Rohs
- Model Number: A15.2601
- Minimum Order Quantity: 1 pc
- Price: Negotiation
- Packaging Details: Carton Packing, For Export Transportation
- Delivery Time: 5~20 Days
- Payment Terms: T/T, West Union, Paypal
- Supply Ability: 5000 pcs/ Month



### Product Specification

- Eyepiece: WF10x/22
- Objective: Non-Stress Infinity Plan Objective (Transmitting) 4x10x40x100x
- Nosepiece: Quintuple, Center Adjustable
- Condenser: Swing Out Condenser, N.A.0.9/0.13, With Polarizer Lens In Bottom, With Scale, Can Be Locked
- Working Stage: Round Stage Diameter  $\Phi$ 174mm, For Transmit Light, Rotatable 360°, Division 1', Vernier Division 6', Can Be Locked
- Light Source: Transmit Light 5W LED Koehler Illumination, Wide Voltage 100V~240V
- Polarizing Unit: Analyzer Media Unit, Between Head And Body, Analyzer 0~360° Adjustable, Can Be Locked, With Bertrand Lens Built-in Focus Adjustable,
- Highlight: **student compound microscope , highest magnification microscope**



### More Images



for more products please visit us on [cnoec.com](http://cnoec.com)



## A15.2601

### Polarizing Microscope, Transmit & Reflect



## A15.2601 Series Polarizing Microscope



A15.2601-R  
Polarizing Microscope, Reflect



A15.2601-RT  
Polarizing Microscope,  
Transmit & Reflect



A15.2601-T  
Polarizing Microscope, Transmit



WF10x/20mm For A15.2601-R/RT, WF10x/22mm For A15.2601-T  
With Micrometer, With Position Pin For Joint Move

**Retical Eyepiece WF10x/20mm, Dia.30mm With Micrometer X-0.1mm\*180 Div / Y-Single Line, Diopter Adjustable**

Joint Move Design: Specially For Polarizing Microscope, To Keep Right Side Eyepiece's Cross In View Field Keep Vertical Direction Even When Eyepiece Tube Turned.



Large Size Head With Eyepiece Tube And Eyepiece Dia.30mm

**Super Wide Field Eyepiece SWF10x/22mm, Eyepiece Dia.30mm Diopter Adjustable**

The Eyepiece Tube Has Fix Screw

To Prevent Eyepiece Falling Damage During Move



**Trinocular Head Light Split Optional Between Switch E100:P0/E0:P100 & Fixed E80:P20**

In Fixed Light Split, Eyepiece 80% : Photo 20% User Can View Image At Same Time In Both Path  
In Switch Light Split, Eyepiece 100%:Photo 0% / Eyepiece 0%:Photo 100%, Camera Can Have 100% Light For Photo Capture.



**Analyzer Rotatable 360°, Module Type, Can Be Locked**

With Bertrand Lens Built-in Focus Adjustable, With Compensator Slide, Quartz Wedge Slide Slot

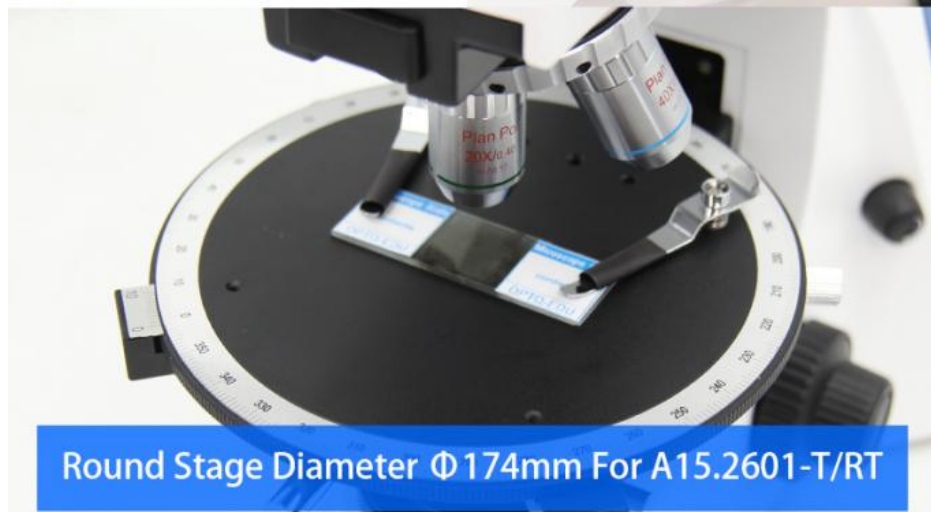


**Large Size High Precision Centering Quintuple Nosepiece**, Non-Stress Infinity Plan Objective (Transmitting)  
4x,10x,20x,40x Available

Remark: The Yellow Mark On Nosepiece Is Standard Position For 10x Objective, The Rest Objectives Should Be Mounted From High To Low Power In Clockwise Direction, As Above Picture Shown.



Round Stage Diameter  $\Phi$  148mm For A15.2601-R





**Swing-out Condenser For A15.2601-T/RT, N.A.0.9/0.13  
With Polarizer Lens In Bottom, With Scale, Can Be Locked**

**Swing-out Condenser, N.A.0.9/0.13, With Polarizer For A15.2601-T&RT**  
Lens In Bottom, With Scale, Can Be Locked.

Swing The Lens In To Get Excellent Image When Using High Power Objective To Make Observation.



**Powered By Safety Low Voltage Charger, Input Wide  
Voltage 100V-240V, Output 5V1A, Support Power  
Bank Supply For Outdoor Use**





Power	ECO, Auto Power Off System. Power Off Automatically Upon User Leaving 10 Minutes, Power On Automatically Upon User Approaching Detected, This Function Can Be Shut Down Manually	○	○				○	○	A56.2660
Filter	Dia.45mm, Blue	○	○	○	○	○	○	○	A56.2616-45B
	Dia.45mm, Green	○	○	○	○	○	○	○	A56.2616-45G
	Dia.45mm, Yellow	○	○	○	○	○	○	○	A56.2616-45A
Adapter	C-Mount 0.5x, Focus Adjustable		○			○			A55.2601-05
	C-Mount 0.75x, Focus Adjustable		○			○			A55.2601-75
	C-Mount 1.0x, Focus Adjustable		○			○			A55.2601-10
	Digital Eyepiece Camera Adapter, Dia. 23.2mm/25mm		○			○			A55.2610
Package & Weight	Carton Size 520×470×285mm, 1 Unit/Ctn, Gross Weight: 12.5 kgs, Net Weight: 10.0 kgs								A15.2601-TB,TT
	Carton Size 520×470×430mm, 1 Unit/Ctn, Gross Weight: 16.0 kgs, Net Weight: 12.5 kgs								A15.2601-RB,RT
	Carton Size 520×470×430mm, 1 Unit/Ctn, Gross Weight: 15.0 kgs, Net Weight: 11.5 kgs								A15.2601-RTB,RTT

Note: "●" In Table Is Standard outfits, "○" Is Optional Accessories

## Product Accessories



A5P.2630 Non-Stress Infinity Plan Objective (Transmitting)



A15.2601-T Polarizing Microscope Transmit Polarizing Unit



A55.2601-05  
C-Mount 0.5x  
Focus  
Adjustable



A55.2601-75  
C-Mount 0.75x  
Focus  
Adjustable



A55.2601-10  
C-Mount 1.0x  
Focus  
Adjustable



A55.2610  
Digital Eyepiece  
Camera Adapter  
Dia. 23.2mm/25mm



A5P.2616-LK Attachable Mechanical  
Stage, Lecia Type



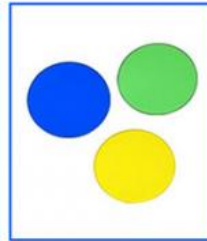
A5P.2616 Attachable Polarizing  
Mechanical Stage, Moving Range 40x40mm



**A5P.2615-17a**  
Quartz Wedge  
Slide (0-IV  
Class) Long  
Type



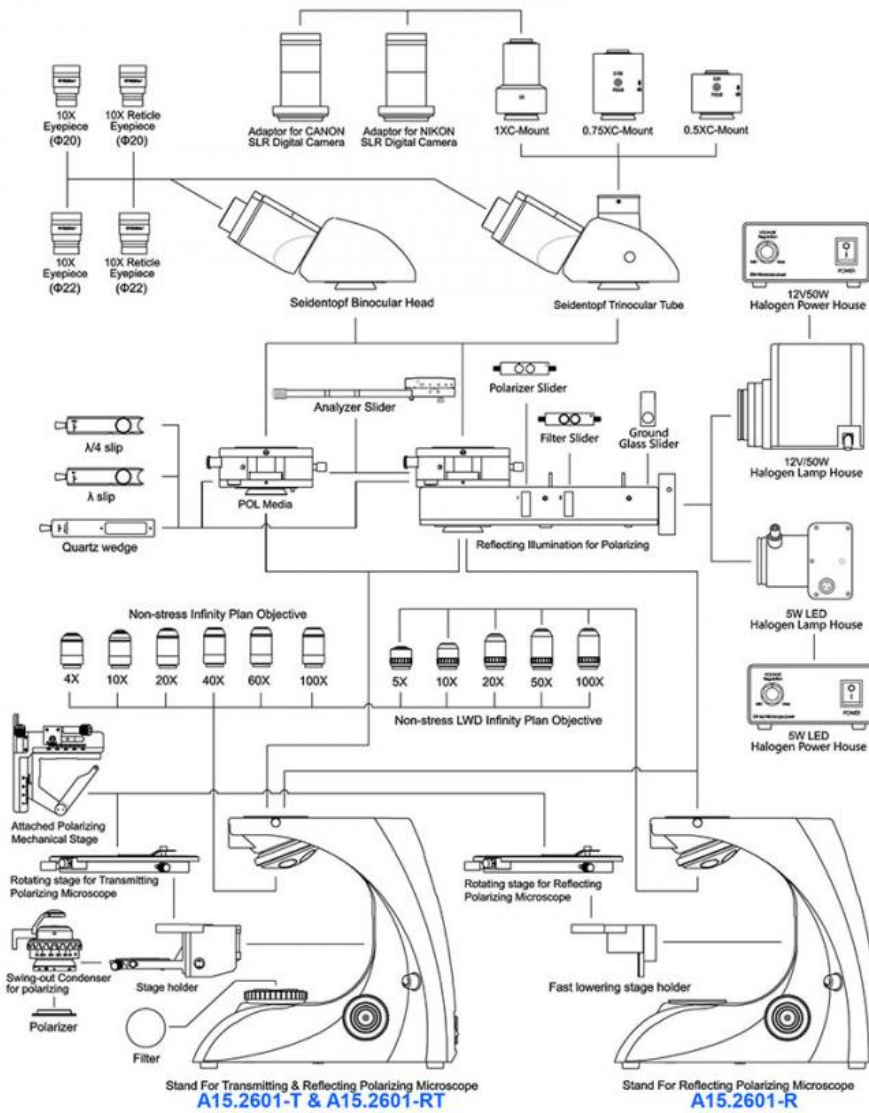
**A56.2615-BK**  
Field  
Diaphragm  
For Kohler  
Illumination



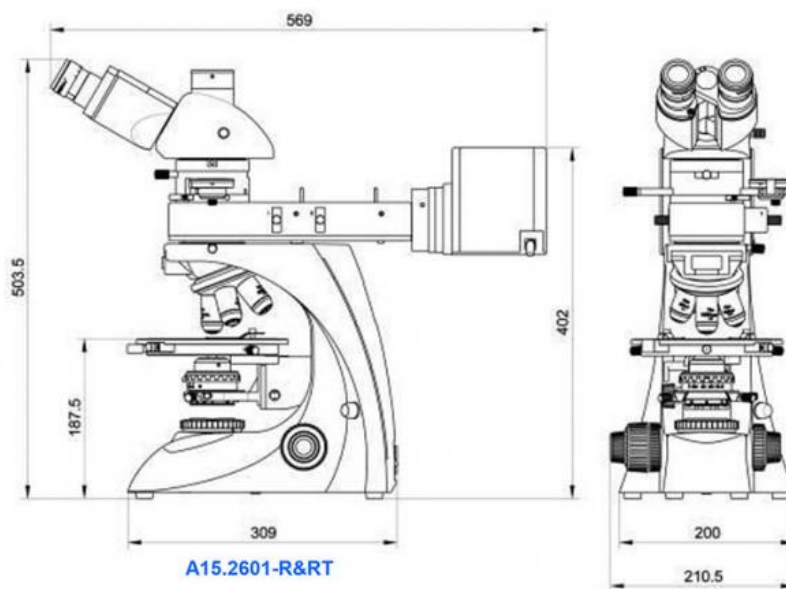
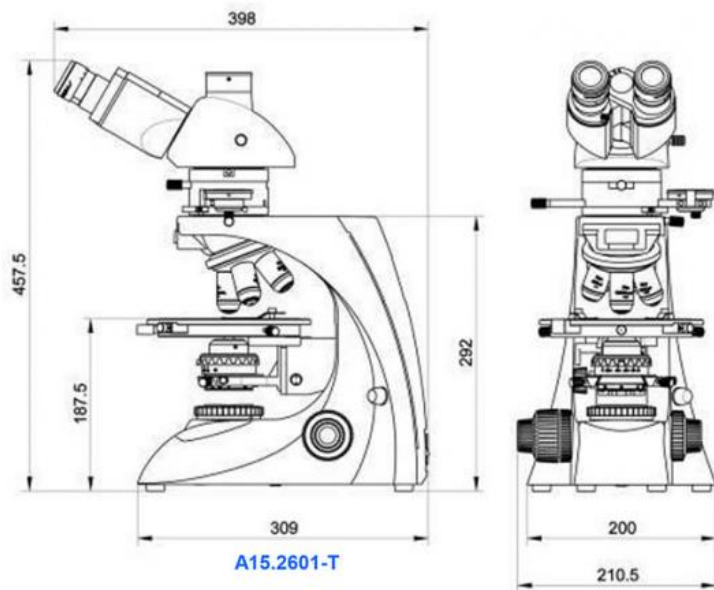
**A56.2616**  
Filter:  
Dia.45mm  
Blue, Green,  
Yellow



**A54.2610-N02**  
Quintuple, Center  
Adjustable



## Product Size(mm)



Opto-Edu (Beijing) Co., Ltd.

☎ 0086 13911110627

✉ sale@optoedu.com

🌐 cnoec.com

F-1501 Wanda Plaza, No. 18 Shijingshan Road, Beijing 100043, China