



Laboratory Trinocular Reflected Metallurgical Optical Microscope A13.0201 With Brightness Control

Our Product Introduction

Basic Information

- Place of Origin: China
- Brand Name: CNOEC, OPTO-EDU
- Certification: CE, Rohs
- Model Number: A13.0201
- Minimum Order Quantity: 1 pc
- Price: Negotiation
- Packaging Details: Carton Packing, For Export Transportation
- Delivery Time: 5~20 Days
- Payment Terms: T/T, West Union, Paypal
- Supply Ability: 5000 pcs/ Month



Product Specification

- Application: Research|Metallurgical
- Certification: CE
- Drawtube: Binocular|Trinocular
- Illumination: Halogen Lamp|LED
- Theory: Metallurgical Optical Microscope
- Highlight: **reflected light microscope, halogen lamp microscope**



for more products please visit us on cnoec.com

Product Description

1000X Industry Trinocular Metallurgical Optical Microscope A13.0201

This metallurgical microscope is used for identification and analysis of the structures in different metals and alloys, it is the important instrument for researching metallography in metal physics.

- Plan achromatic objectives with long working distance (no cover glass)
- Coaxial coarse/fine focusing system with tension adjustable and up stop
- 6V 20W halogen lamp with brightness control



OPTO-EDU (BEIJING) CO., LTD.

F-1501 Wanda Plaza, No.18 Shijingshan Road, Beijing 100043, China
Tel:+8610 88696020 Fax:+8610 88696085

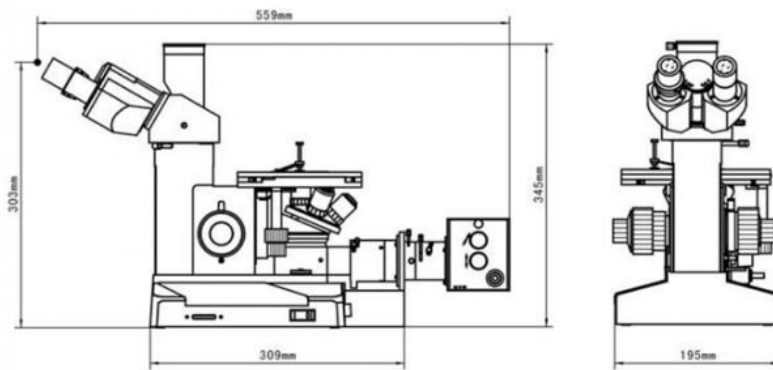
A13.0201 Inverted Metallurgical Microscope, Reflect, Polarizing Optional



Product Details

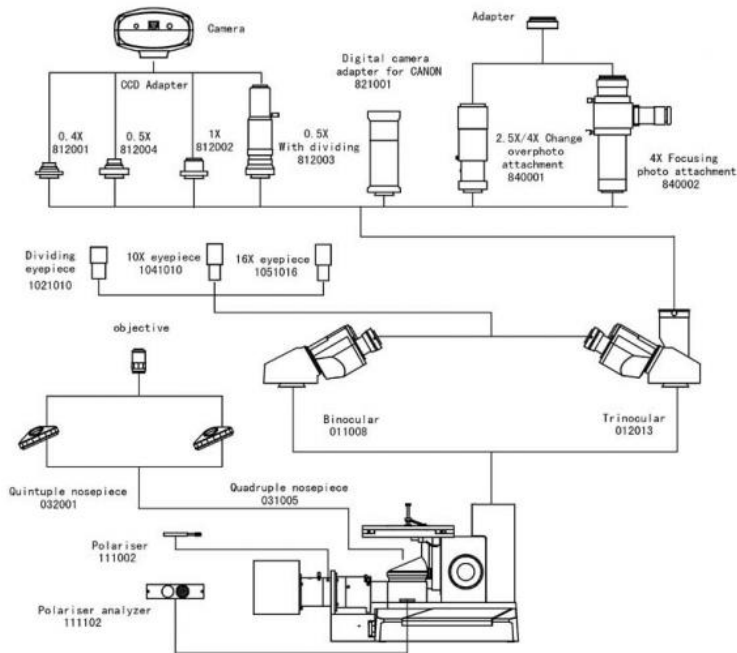


Product Size (mm)



| Specification | A13.0201-A1 | A13.0201-A2 | A13.0201-B1 | A13.0201-B2 |
|---------------|---|-------------|---|-------------|
| Head | Binocular | Trinocular | Binocular | Trinocular |
| Eyepiece | WF10X(Φ18mm) | | | |
| Objective | LWD Plan (no cover glass) PL 10x/0.25 | | Achromatic (no cover glass) 10X/0.25 | |
| | LWD Plan (no cover glass) PLL20x/0.40 | | Achromatic (no cover glass) 20X/0.40 | |
| | LWD Plan (no cover glass) PLL40x/0.60 | | S-Plan achromatic (no cover glass) SP40X/0.65 | |
| | LWD Plan (no cover glass) PL 100x/1.25 (Spring, oil) | | Achromatic (no cover glass) 100X/1.25 (Spring, oil) | |
| Filter | Frosted filter | | | |
| | Blue filter | | | |
| | Green filter | | | |
| | Yellow filter | | | |
| Focus System | Coaxial coarse/fine focus system, with tensional adjustable and up stop, minimum division of fine focusing: 2μm | | | |
| Nosepiece | Quadruple ball bearing inner locating | | | |
| Stage | Double layer mechanical, size 180x150mm, moving range 15x15mm | | | |
| Light Source | 6V 20W halogen lamp with brightness control | | | |

| Optional Accessories | | Item No. |
|------------------------|---|---------------|
| Eyepiece | Wide field WF16x/11mm | A51.0203-16A |
| | Dividing 10x, 0.1mm/Div | A51.0205-10 |
| Objective | Plan long working distance (no cover glass) PL5x/0.12 | A5M.0234-05 |
| | Plan long working distance (no cover glass) PLL60x/0.75(Spring) | A5M.0234-60 |
| | Plan long working distance (no cover glass) PLL100x/0.85(Spring) | A5M.0234-100A |
| | Achromatic (no cover glass) 60x/0.85 | A5M.0232-60 |
| | Quintuple (Ball bearing inner locating) | A54.0203-1 |
| Simple Polarizing | Polarizer | A5P.0210-02 |
| | Analyzer | A5P.0211-02 |
| Light Source | LED collector, bright and white light | A56.0204-6 |
| CCD adapter | 0.4x | A55.0202-01 |
| | 0.5x | A55.0202-04 |
| | 1x | A55.0202-02 |
| | 0.5x with dividing 0.1mm/Div | A55.0202-03 |
| Photo Adapter | 2.5x/4x change over photograph attachment with 10x viewing eyepiece | A55.0201-01 |
| | 4x focusing photograph attachment | A55.0201-02 |
| | MD adapter | A55.0201-03 |
| | PK adapter | A55.0201-04 |
| Digital Camera Adapter | For Canon EF digital SLR camera adapter | A55.0204-02 |



Opto-Edu (Beijing) Co., Ltd.

☎ 0086 13911110627

✉ sale@optoedu.com

🌐 cnoec.com

F-1501 Wanda Plaza, No. 18 Shijingshan Road, Beijing 100043, China