



Upright Bright Dark Field Metallurgical Optical Microscope A13.0211 400x With Halogen Lamp

Our Product Introduction

Basic Information

- Place of Origin: China
- Brand Name: CNOEC, OPTO-EDU
- Certification: CE, Rohs
- Model Number: A13.0211
- Minimum Order Quantity: 1 pc
- Price: Negotiation
- Packaging Details: Carton Packing, For Export Transportation
- Delivery Time: 5~20 Days
- Payment Terms: T/T, West Union, Paypal
- Supply Ability: 5000 pcs/ Month



Product Specification

- Application: Research|Learning|Metallurgical
- Certification: CE|Rohs
- Drawtube: Binocular
- Illumination: Halogen Lamp|LED
- Magnification: 50X - 400X
- Theory: Metallurgical Optical Microscope
- Highlight: **reflected light microscope,**
halogen lamp microscope

for more products please visit us on cnoec.com

Product Description

50X - 400X Cordless Metallurgical Optical Microscope A13.0211

Description:

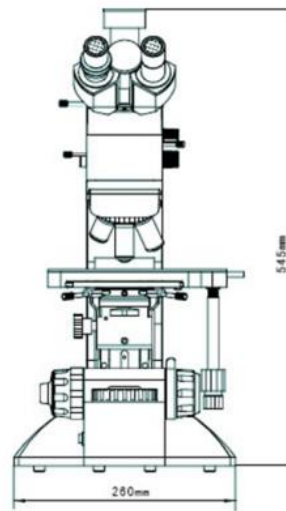
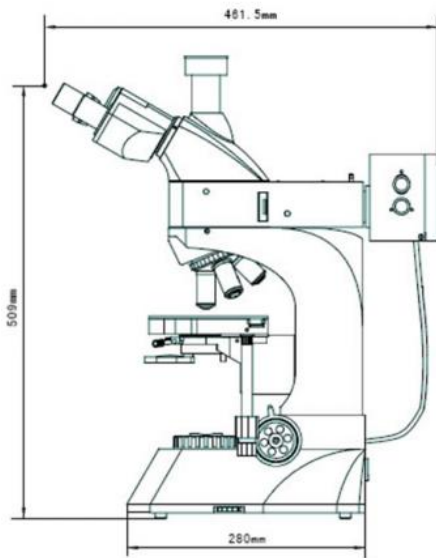
New in 2009!

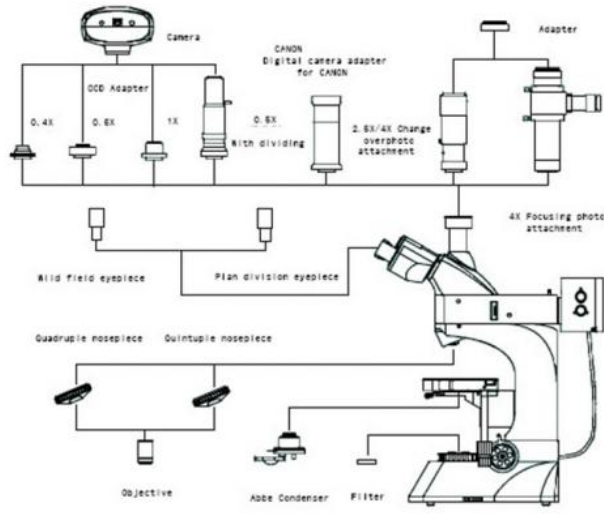
A13.0211 upright Bright/Dark field Transmitted/Reflected light metallurgical microscope, is a kind of multifunction industry inspecting microscope. It is equipped with bright or dark field objectives, wide field eyepieces and integrated polarization observation device, the Kohler illuminator is used in the transmitted and reflected illuminating system, the whole field is clear and uniformity. It is suitable for inspecting, such as semi-conductor silicon wafer, LCD floor plate, electrocircuit plate, solid powder and all kind of industry sample that translucent or opaque. It is the ideal instruments in research work in biology, metallography, mineralogy, precision engineering, electronics, etc.

- UIS optical system and modularization function design
- Long working distance bright or dark field plan objectives (no cover glass), the field is wide and clear
- Coaxial coarse/fine focus system, with tension adjustable and up stop, minimum division of the focusing: 2um
- Maximal movement of stage is about 30mm
- Integrated polarization observation device, the polarizer can be circled 360 degree
- The reflecting illuminator is 12V50W halogen lamp and the lamp box cover can be revolved, replacing lamp facility and safety.
- The transmitted illuminator is 12V30W halogen lamp and adding radiator
- Trinocular head can be observation for eyepieces and microphotography in 100% light flux, suits for the dark field microphotography.

Specifications:

A13.0211 Upright Bright/Dark Field Transmitted/Reflected Light Metallurgical Microscope		
Eyepiece	WF10X(Φ22mm)	
Objective	Infinity plan bright/dark field, long working distance (no cover glass) PLL5x/0.12BD, W.D.9.70mm	
	Infinity plan bright/dark field, long working distance (no cover glass) PLL10x/0.25BD, W.D.9.3mm	
	Infinity plan bright/dark field, long working distance (no cover glass) PLL20x/0.40BD, W.D.7.2mm	
	Infinity plan bright/dark field, long working distance (no cover glass) PLL40x/0.60BD, W.D.3.0mm	
Head	Trinocular, inclination of 30°, built-in analyzer and switching freely	
Reflected Illumination	12V 50W halogen lamp with brightness control	
	Built-in field, aperture diaphragm, and (YBG ground glass) switching device, push-pull type polarizer	
Transmitted Illumination Unit	Abbe condenser N.A.=1.25, Rack & pinion adjustable	
	Blue filter and ground glass	
	Collector for illumination with halogen lamp (With filed diaphragm) 12V 30W, halogen lamp, adjustable brightness	
Focus System	Coaxial coarse/fine focus system, with tensional adjustable and up stop, minimum division of fine focusing: 2um	
Nosepiece	Quintuple(back ball bearing inner locating)	
Stage	Double layer mechanical, size 210x140mm, moving range 75x50mm	
Optional Accessories		Item No.
Eyepiece	Dividing 10x/18mm, 0.1mm/Div	A51.0205-G10A
Objective	Infinity plan bright/dark field, long working distance (no cover glass) PLL50x/0.70BD, W.D.2.5mm	A5M.0237-50
	Infinity plan bright/dark field, long working distance (no cover glass) PLL60x/0.70BD, W.D.1.9mm	A5M.0237-60
	Infinity plan bright/dark field, long working distance (no cover glass) PLL80x/0.70BD, W.D.1.25mm	A5M.0237-80
	Infinity plan bright/dark field, long working distance (no cover glass) PLL100x/0.70BD, W.D.0.22mm	A5M.0237-100
Filter	Green filter	A56.0209-2
	Yellow filter	A56.0209-3
Nosepiece	Quintuple backward ball bearing inner locating	032002
CCD Adapter	0.4X	A55.0202-1
	0.5X	A55.0202-4
	1X	A55.0202-2
	0.5X with dividing 0.1mm/Div	A55.0202-3
Digital Camera Adapter	CANON EF digital SLR camera adapter	A55.0204-01





Opto-Edu (Beijing) Co., Ltd.

☎ 0086 13911110627

✉ sale@optoedu.com

🌐 cnoec.com

F-1501 Wanda Plaza, No. 18 Shijingshan Road, Beijing 100043, China