



## A13.0905 Metallurgical Optical Microscope Trinocular DIC 50X - 500X Magnification

### Basic Information

- Place of Origin: China
- Brand Name: CNOEC, OPTO-EDU
- Certification: CE, Rohs
- Model Number: A13.0905
- Minimum Order Quantity: 1 pc
- Price: Negotiation
- Packaging Details: Carton Packing, For Export Transportation
- Delivery Time: 5~20 Days
- Payment Terms: T/T, West Union, Paypal
- Supply Ability: 5000 pcs/ Month



### Product Specification

- Application: Research|Metallurgical
- Certification: CE|Rohs
- Drawtube: Binocular
- Illumination: LED
- Magnification: 50X - 500X
- Theory: Metallurgical Optical Microscope
- Highlight: **reflected light microscope, halogen lamp microscope**

## Product Description

### Binocular Achromatic Metal Microscope Infinity Plan Microscopes Rohs A13.0905

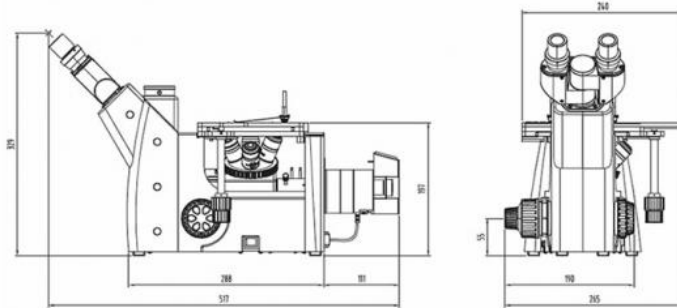
#### Description:

A13.0905 Metallurgical Microscope, provide superior image and reliable mechanical structure, easy operating, various of accessories, widely used in teaching and research metallographic analysis, semiconductor silicon wafer inspection, geology mineral analysis, precision engineering surveying fields.

- Color Corrected Infinity Optical System, Better Image and Higher Resolution
- High Eyepoint Widely Plan Eyepiece
- Professional Infinity Plan Achromatic LWD metallurgical Objective, No Cover Glass Design
- Low Hand Position Coaxial & Fine Focusing Mechanism
- 90~240V Voltage, Single 3W LED High Brightness Cold Light Source

#### Specifications:

A13.0905 Metallurgical Microscope		
Head	Compensation Free Trinocular Head, 45° Inclined, 360° Rotatable, Interpupillary Distance 54~75mm, Diopter Adjustable, Light Split 8:2	
Eyepiece	High Eyepoint Plan PL10x/18mm,	
Objective	Long Working Distance Plan Metallurgical Achromatic	LMPL5X/0.15
		LMPL10X/0.3
Objective	Long Working Distance Plan Metallurgical Achromatic, Semi-APO	LMPL20X/0.4
		LMPL50X/0.6
Stage	Triple Layer Working Stage, Size 180*155mm, Moving Range 75*40mm	
	Metal Plate, Center Hole Dia.25mm	
Stage	Metal Plate, Center Hole Dia.12mm	
Focusing	Low Position Coaxial Coarse & Fine Focusing, Coarse Focus Range 38mm, Fine Focusing Precision 0.002mm, with Tension Adjustment,with Up-limited Stop	
Condenser	Swing-out Condenser N.A.0.7, for Transmit Light	
Filter	Blue Filter, Dia.32mm	
Illumination	Reflect Kohler Illumination, with View Field Diaphragm, with Iris Diaphragm, Center Adjustable, 5W LED, Warm Light, Brightness Control	
Power	90-240V Wide Range Power Supply	
A13.0905 Metallurgical Microscope Optional Accessories		
Eyepiece	Wide Field Eyepiece WF15x/13mm	A51.0902-1513
	Wide Field Eyepiece WF20x/10mm	A51.0902-2010
	Wide Field Eyepiece WF15x/13mm with Retical	A51.0905-1513R
	Wide Field Eyepiece WF20x/10mm with Retical	A51.0905-2010R
	High Eyepoint Plan PL10x/18mm, with Cross PL10x18	A51.0905-1018PR
Objective	Long Working Distance Infinity Plan Metallurgical Achromatic,Semi-APO LMPL100X/0.8	A5M.0934-100
Filter	Yellow,Dia.32mm	A56.0935-XDY
	Green,Dia.32mm	A56.0935-XDG
	Netural,Dia.32mm	A56.0935-XDF
Polarizing	Polarizer	A5P.0922-P
	Analyser,360° Rotatable	A5P.0922-A
Adapter	1.0x C-Mount	A55.0929-10
	0.5x C-Mount, for 1/2" CCD	A55.0929-50
	Digital Camera Adapter with Photo Eyepiece	A55.0910
	Photo Adapter with 3.2x Photo Eyepiece, PK or MD Mount	A55.0901-4



A13.0905 Inverted Metallurgical Microscope System Size



**Opto-Edu (Beijing) Co., Ltd.**

☎ 0086 13911110627

✉ [sale@optoedu.com](mailto:sale@optoedu.com)

🌐 [cnoec.com](http://cnoec.com)

F-1501 Wanda Plaza, No. 18 Shijingshan Road, Beijing 100043, China