



Precision Digital Metallurgical Microscope 50X - 500X Magnification For Research A13.0912-A

Our Product Introduction

Basic Information

- Place of Origin: China
- Brand Name: CNOEC, OPTO-EDU
- Certification: CE, Rohs
- Model Number: A13.0912-A
- Minimum Order Quantity: 1 pc
- Price: Depend on Order Quantity
- Packaging Details: Carton Packing, For Export Transportation
- Delivery Time: 5~20 Days
- Payment Terms: T/T, West Union, Paypal
- Supply Ability: 5000 pcs/ Month



Product Specification

- Application: Research
- Certification: CE|Rohs
- Drawtube: Trinocular
- Illumination: Halogen Lamp
- Magnification: 50X-500X
- Theory: Metallurgical Optical Microscope
- Highlight: **reflected light microscope,**
halogen lamp microscope

for more products please visit us on cnoec.com

Product Description

Infinity Color Corrected Optical System Metallurgical Optical Microscope A13.0912

Introduction

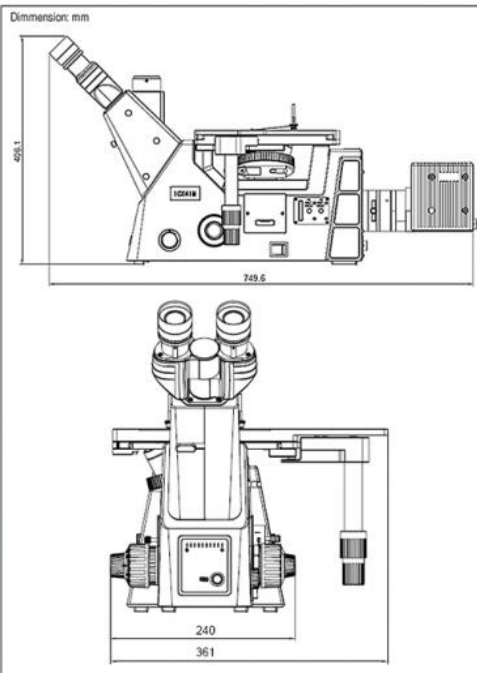
A13.0912 Inverted Metallurgical Microscope is widely applied for the research of cast, smelt, heat treatment and the inspection of raw material and material processing, as well as food safety evaluation, medical test and geological test.

Specification

A13.0912 Inverted Metallurgical Microscope		
Optical System	Infinity Color Corrected Optical System	
Frame	One-piece Construction, With Filter Slot & Polarizing Slot	
Head	Trinocular Head, Split Ratio 100:0 or 0:100, 45° Inclined, 360° Rotatable, IPD 50-75mm,	
Eyepiece	Plan WF10x/22mm, Diopter Adjustable, Reticle Attachable, High Eye-point,	
Field	Bright & Dark Filed, With BD Shifter	
Objective	Infinity LWD BD Plan Achromatic Metallurgical Objective DIC-5x/0.15 WD11mm	
	Infinity LWD BD Plan Achromatic Metallurgical Objective DIC-10x/0.3 WD9.5mm	
	Infinity LWD BD Plan Achromatic Metallurgical Objective DIC-20x/0.45 WD3.4mm	
	Infinity LWD BD Plan Achromatic Metallurgical Objective 50x/0.55 WD7.5mm	
Focus System	Coaxial Coarse & Fine Focusing System With Adjustable Tension, Coarse Range 9mm (6.5mm up & 2.5mm down), Fine Precision 2μm,	
Nosepiece	BD Quintuple Nosepiece With DIC Slot	
Condenser	LWD N.A. 0.30 With Iris Diaphragm And Aperture Disphragm, Both Centers Adjustable	
Stage	Right Hand Controls, Low Positioned, Three-Layer Mechanical stage, size 240x250mm, moving range 50x50mm, Bothway Linear Guide Rail, Metal Specimen Holder (Dia. 25)	
Light Source	Reflected Halogen Lamp, 12V100W	
	Light Indicator	
	Brightness Adjustable	
	ECO Infrared Induction System (Auto on/off)	
	External Wide Voltage Transformer, 100V-240V Input, 12V13.4A Output,	
Polarization	Polarizer & 360° Analyzer	
Other	Power cord	
Optional Accessories		Item No.
Eyepiece	Plan WF15x/16mm, Diopter Adjustable, Reticle Attachable, High Eye-point	
Objective	Infinity LWD BD Plan Achromatic Metallurgical Objective 100x/0.8 WD2.1mm	
Adapter	035x C-Mount	
	0.5x C-Mount	
	0.65x C-Mount	
	1x C-Mount	
DIC	DIC Slider	



A13.0912 Inverted Metallurgical Microscope






Opto-Edu (Beijing) Co., Ltd.

 0086 13911110627

 sale@optoedu.com

 cnoec.com

F-1501 Wanda Plaza, No. 18 Shijingshan Road, Beijing 100043, China