

## LED Fluorescent Light Microscopy 6V 30W Halogen A16.2603-NL Koehler Illumination

Our Product Introduction

### Basic Information

- Place of Origin: China
- Brand Name: CNOEC, OPTO-EDU
- Certification: CE, Rohs
- Model Number: A16.2603-NL
- Minimum Order Quantity: 1 pc
- Price: Negotiation
- Packaging Details: Carton Packing, For Export Transportation
- Delivery Time: 5~20 Days
- Payment Terms: T/T, West Union, Paypal
- Supply Ability: 5000 pcs/ Month



### Product Specification

- Application: Research|Learning
- Certification: CE|Rohs
- Drawtube: Trinocular
- Illumination: Transmit Light 6V30W Halogen
- Magnification: 40x - 1000x
- Theory: Fluorescence Microscope
- Highlight: **epi-fluorescence microscope,  
inverted fluorescence microscope**



for more products please visit us on [cnoec.com](http://cnoec.com)

### More Images





OPTO-EDU (BEIJING) CO., LTD.

F-1501 Wanda Plaza, No.18 Shijingshan Road, Beijing 100043, China  
Tel:+8610 88696020 Fax:+8610 88696085

## A16.2603-NL

### LED Fluorescent Microscope, Semi-APO





**Super Wide Field SWF10x/22mm  
Eyepiece Dia.30mm Diopter Adjustable**

**Super Wide Field Eyepiece**

SWF10x/22mm  
Eyepiece Dia.30mm Diopter Adjustable



**Large Size Head With Eyepiece Tube And Eyepiece Dia.30mm**

**The Eyepiece Tube Has Fix Screw**

To Prevent Eyepiece Falling Damage During Move



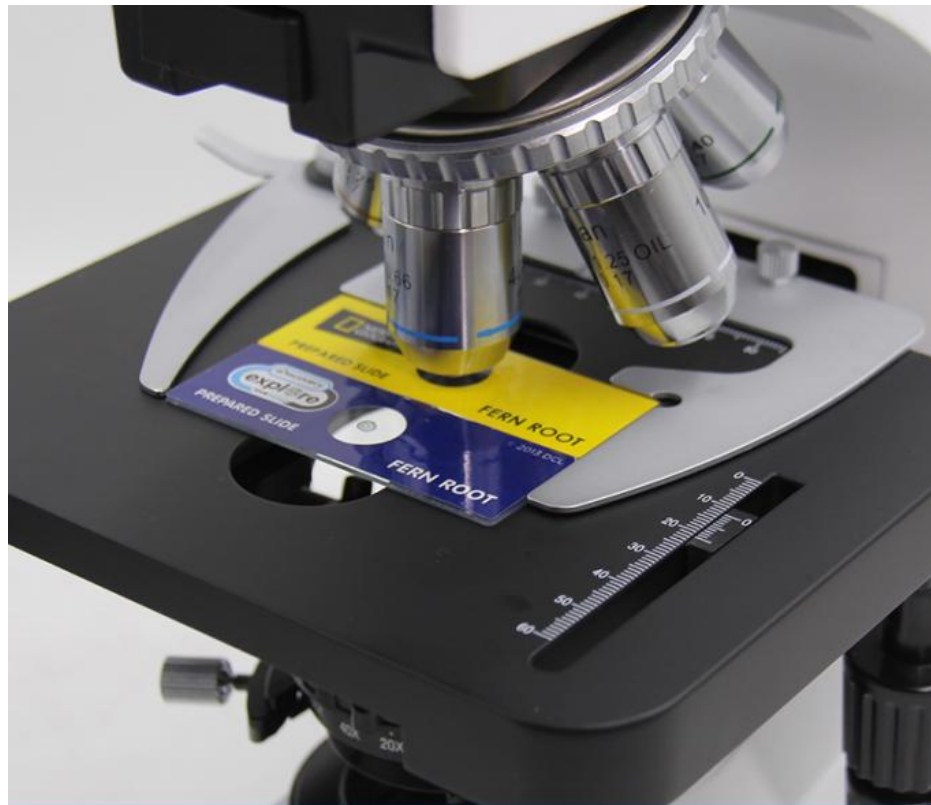
**Trinocular Head Light Split Optional Between Switch E100:P0/E0:P100 & Fixed E80:P20**

In Fixed Light Split, Eyepiece 80% : Photo 20% User Can View Image At Same Time In Both Path  
 In Switch Light Split, Eyepiece 100%:Photo 0% / Eyepiece 0%:Photo 100%, Camera Can Have 100% Light For Photo Capture.



**Large Size High Precision Quintuple Nosepiece, With Polarizing Analyzer Slot,**

Infinity Plan Objective 4x,10x,20x,40x,100x Available  
 Creative 100X Water Objective (Optional) Instead Of 100X Oil Objective, More Convenient For Using & Cleaning After Use



**Rackless (Integrated) Mechanical Stage,  
Large Size 182×140mm, Double Slide Holder**

**Rackless (Integrated) Mechanical Stage**

Large Size 182×140mm, Double Slide Holder  
Travel Range 77×52mm



**Swing-out Condenser, N.A. 0.9/0.13, Iris Diaphragm**

**Swing-out Condenser, N.A. 0.9/0.13, Iris Diaphragm**

Control The Amount Of Light According To Demand, The Effect Is More Perfect.



**5W LED Fluorescent Built-in Media Device,  
Single Band, China Filter B or G  
Ultraviolet Protection Barrier**

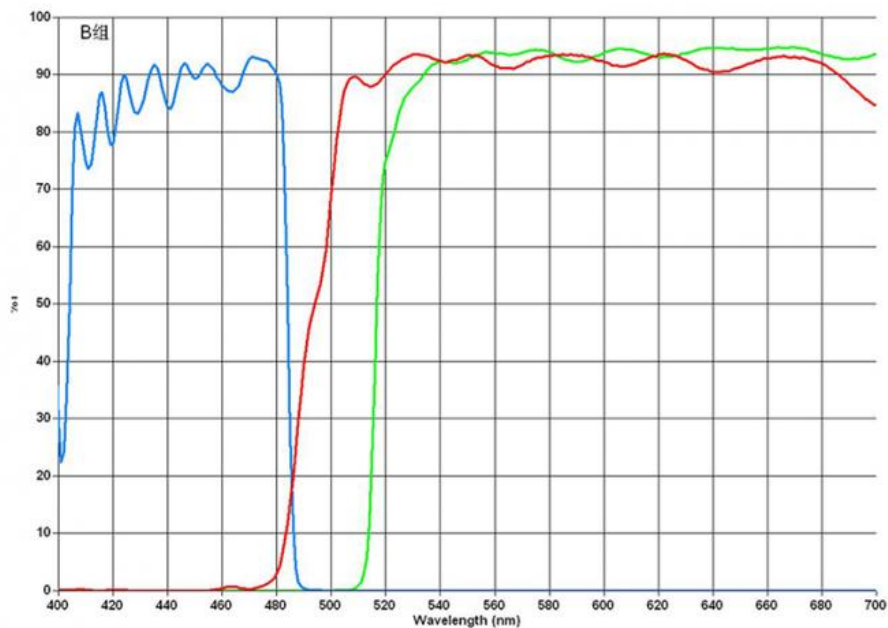
**Fluorescence Unit**

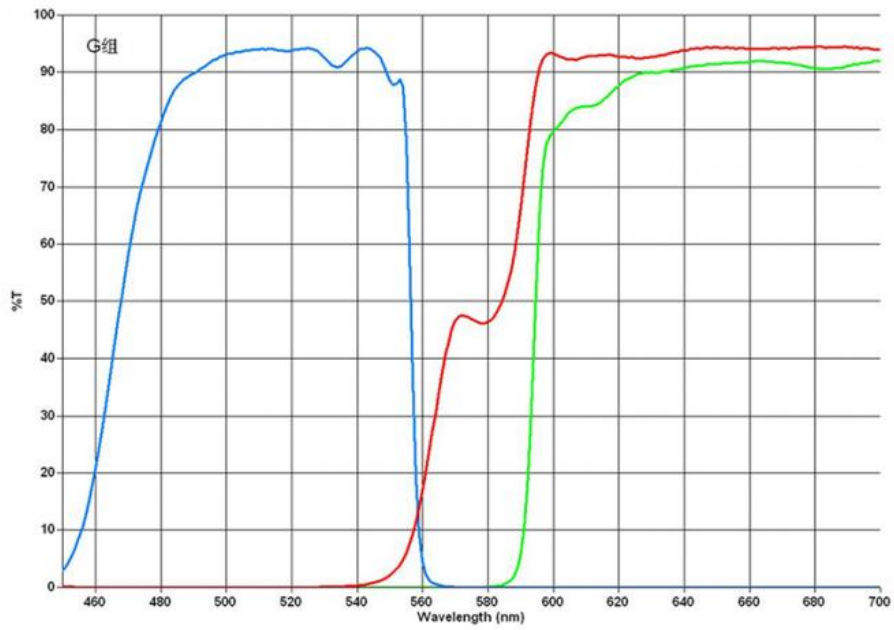
Upgrade From A12.2601-C/CT Biological Microscope With:  
5W LED Fluorescent Built-in Media Device,  
Single Band, China Filter B or G  
Ultraviolet Protection Barrier

| Items  | A16.2603-NL LED Fluorescent Microscope Specification   | -1 | -2           | Cata. No.     |
|--|--|----|--------------|---------------|
| Head   | Seidentopf Trinocular Head Inclined 30°, Rotatable 360°, Interpupillary Distance 48-76mm, Light Split Switch E100:P0/E20:P80,<br><b>Eyepiece Tube Dia.30mm</b> | ●  | ●            | A53.2623-T    |
| Eyepiece                                     | WF10x/22mm, <b>Dia.30mm</b> , High Eyepoint, Diopter Adjustable  | ●● | ●●           | A51.2621-1022 |
| Nosepiece                                    | Quintuple  | ●  | ●            | A54.2610-N01  |
| Infinity Plan Objective                      | PLAN 2.5X/0.07, W.D.=8.47mm  | ○  | ○            | A52.2606-2.5  |
|  | PLAN 4X/0.10, W.D.=12.10mm   | ●  | ●            | A52.2606-4    |
|  | PLAN 10X/0.25, W.D.=4.64mm   | ●  | ●            | A52.2606-10   |
|  | PLAN 20X/0.40(S), W.D.=2.41mm  | ●  | ●            | A52.2606-20   |
|  | PLAN 40X/0.66(S), W.D.=0.65mm  | ●  | ●            | A52.2606-40   |
|  | PLAN 60X/0.80(S), W.D.=0.33mm  | ○  | ○            | A52.2606-60   |
|  | PLAN 100X/1.25(S,Oil), W.D.=0.12mm   | ●  | ●            | A52.2606-100  |
| Infinity Plan Semi-APO Fluorescent Objective | <b>PLAN 100X/1.15(S,Water), W.D.=0.19mm</b>  | ○  | ○            | A52.2606-100W |
|  | UplanFLN 4x, N.A.0.16, W.D.=17.151mm   | ○  | ○            | A5F.2611-4    |
|  | UplanFLN 10x, N.A.0.30, W.D.=7.68mm  | ○  | ○            | A5F.2611-10   |
|  | UplanFLN 20x, N.A.0.50, W.D.=1.96mm  | ○  | ○            | A5F.2611-20   |
|  | UplanFLN 40x, N.A.0.75, W.D.=0.78mm  | ○  | ○            | A5F.2611-40   |
| UplanFLN 100x(Oil), N.A.1.30, W.D.=0.15mm    | ○  | ○  | A5F.2611-100 |               |
| Working Stage                                | <b>Rackless</b> (Integrated) Mechanical Stage, Size 182×140mm, Travel Range 77×52mm, Double Slide Holder   | ●  | ●            | A54.2601-S10  |
|  | Mechanical Stage Size 175 mm×145mm, Travel 76mmX52mm, Scale: 0.1mm, Double Slide Holder  | ○  | ○            | A54.2601-S01  |
| Focusing                                     | Coaxial Coarse & Fine Focusing, Coarse Focusing Travel Range: 22mm, Fine Focusing Div. 0.002mm   | ●  | ●            |               |
| Condenser                                    | Swing-out Condenser, N.A.0.9/0.13, Iris Diaphragm  | ●  | ●            | A56.2614-07a  |
| Illumination                                 | Transmit Light 6V30W Halogen<br>Koehler Illumination, Wide Voltage 100V~240V, Field Diaphragm  | ●  | ●            | A56.2650-30W  |
| Field Diaphragm                              | For Kohler Illumination  | ●  | ●            | A56.2615-BK   |
| Filter                                       | Dia.45mm, Blue   | ●  | ●            | A56.2616-45B  |
|  | Dia.45mm, Green  | ○  | ○            | A56.2616-45G  |
|  | Dia.45mm, Yellow   | ○  | ○            | A56.2616-45A  |
| Dark Field                                   | Dark Field Condenser, Dry, N.A.0.83-0.91, For 4x10x40x Objective   | ○  | ○            | A5D.2610-BK   |
|  | Dark Field Condenser, Immersion, N.A.1.3, For 100x Objective   |    |              | A5D.2610-BKW  |

|   |  |   |   |              |
|---|--|---|---|--------------|
| Polarizing  | Analyzer + Polarizer Set   | ○ | ○ | A5P.2601-BK  |
| Phase Contrast  | Infinity Plan Phase Contrast Objective 10x + Phase Contrast Slide 10x + Phase Contrast Condenser + Telescope 11x + Green Filter  | ○ | ○ | A5C.2602-10  |
|   | Infinity Plan Phase Contrast Objective 20x + Phase Contrast Slide 20x + Phase Contrast Condenser + Telescope 11x + Green Filter  | ○ | ○ | A5C.2602-20  |
|   | Infinity Plan Phase Contrast Objective 40x + Phase Contrast Slide 40x + Phase Contrast Condenser + Telescope 11x + Green Filter  | ○ | ○ | A5C.2602-40  |
|   | Infinity Plan Phase Contrast Objective 100x + Phase Contrast Slide 100x + Phase Contrast Condenser + Telescope 11x + Green Filter  | ○ | ○ | A5C.2602-100 |
|   | Turret Phase Contrast Attachment<br>Infinity Plan Phase Contrast Objective 10x20x40x100x, Turret Phase Contrast Condenser 5-Holes, Telescope 11x, Green Filter                 | ○ | ○ | A5C.2603-BK  |
| Fluorescence  | <b>Upgrade From A12.2603-B/T Biological Microscope With</b><br>5W LED Fluorescent Built-in Media Device,<br>Single Band, China Filter B or G<br>Ultraviolet Protection Barrier | ● |   | A5F.2605-1   |
|   | <b>Upgrade From A12.2603-B/T Biological Microscope With</b><br>5W LED Fluorescent Built-in Media Device,<br>Double Band, China Filter B + G<br>Ultraviolet Protection Barrier  |   | ● | A5F.2605-2   |
| Adapter   | C-Mount 0.5x, Focus Adjustable   | ○ | ○ | A55.2601-05  |
|   | C-Mount 0.75x, Focus Adjustable  | ○ | ○ | A55.2601-75  |
|   | C-Mount 1.0x, Focus Adjustable   | ○ | ○ | A55.2601-10  |
|   | Digital Eyepiece Camera Adapter, Dia. 23.2mm/25mm  | ○ | ○ | A55.2610     |
| Package   | Carton Size 990×340×440mm, 1 pc / Ctn  |   |   |              |
| Weight  | Gross Weight: 23 kgs, Net Weight: 18 kgs   |   |   |              |
| Note: "●" In Table Is Standard outfits, "○" Is Optional Accessories |  |   |   |              |

### Fluorescent Filters





## Product Accessories



**A5F.2611**  
Infinity Plan Semi-APO Fluorescent Objective



**A54.2601-S01**  
Mechanical Stage Size  
175 mm × 145mm



**A51.2602-1020**  
WF10X/20mm  
(High Eyepoint)



**A56.2610-BK**  
Dark Field  
Condenser, Dry



**A56.2610-BKW**  
Dark Field  
Condenser, Immersion



**A56.2660**  
ECO, Auto  
Power Off System





**A52.2606 Infinity Plan Objective**



**A55.2610  
Digital Eyepiece  
Camera Adapter**



**A5P.2601-BK Analyzer + Polarizer Set**



**A55.2601-10  
C-Mount 1.0x,  
Focus Adjustable**



**A55.2601-75  
C-Mount 0.75x,  
Focus Adjustable**



**A5C.2602  
Simple Phase  
Contrast  
Attachment**

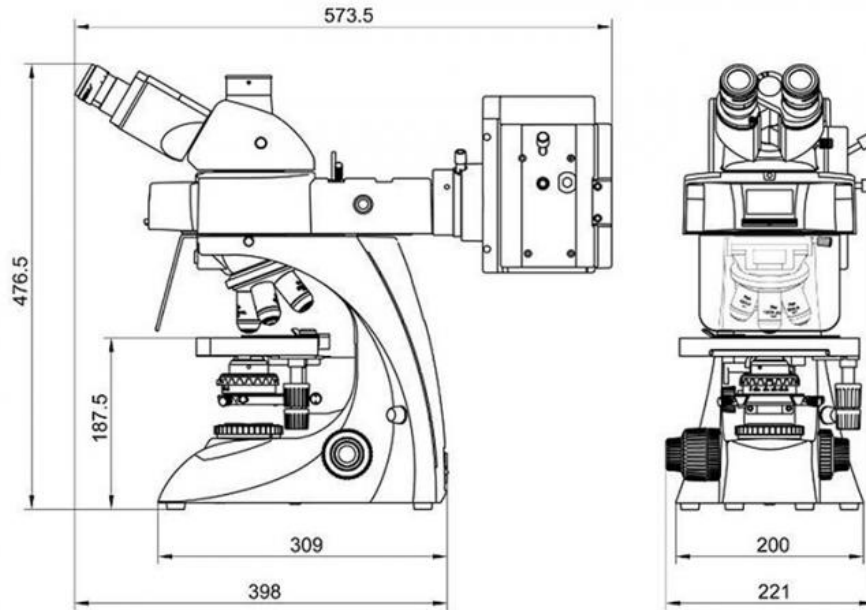


**A55.2601-05  
C-Mount 0.5x,  
Focus Adjustable**

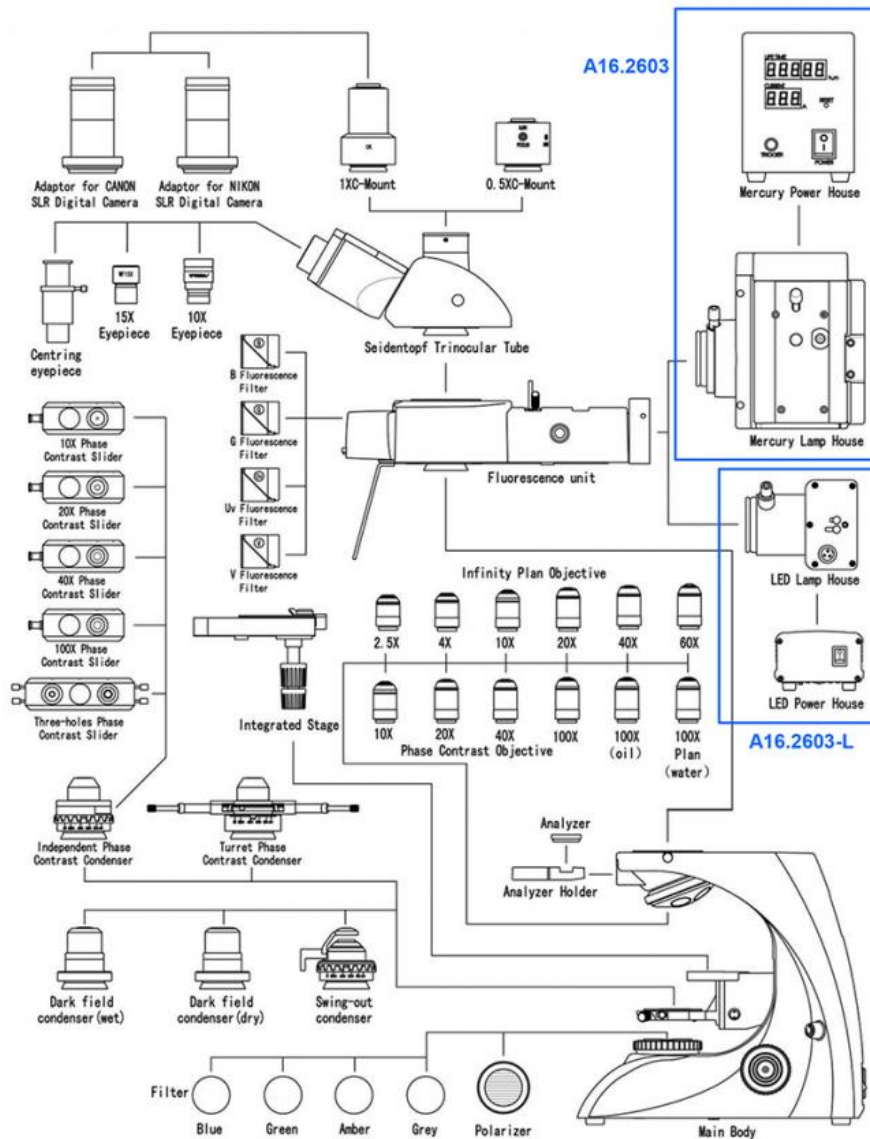


**A5C.2603 Turret  
Phase Contrast Attachment**

## Product Size(mm)



## General Layout Diagram





**Opto-Edu (Beijing) Co., Ltd.**



0086 13911110627



sale@optoedu.com



cnoec.com

F-1501 Wanda Plaza, No. 18 Shijingshan Road, Beijing 100043, China