



## OPTO-EDU A13.2607 Inverted Metallurgical Optical Microscope

Our Product Introduction

for more products please visit us on [cnoec.com](http://cnoec.com)

### Basic Information

- Place of Origin: China
- Brand Name: CNOEC, OPTO-EDU
- Certification: CE, Rohs
- Model Number: A13.2607
- Minimum Order Quantity: 1 pc
- Price: FOB \$1~1000, Depend on Order Quantity
- Packaging Details: Carton Packing, For Export Transportation
- Delivery Time: 5~20 Days
- Payment Terms: T/T, West Union, Paypal
- Supply Ability: 5000 pcs/ Month



### Product Specification

- Application: Research|Metallurgical
- Certification: CE|Rohs
- Drawtube: Binocular
- Illumination: 5WLED Warm Lamp
- Magnification: 50x - 500x
- Theory: Metallurgical Optical Microscope
- Highlight: **Inverted Metallurgical Optical Microscope, OPTO-EDU Metallurgical Optical Microscope, A13.2607 Metallurgical Optical Microscope**



### More Images



OPTO-EDU A13.2607 Inverted Metallurgical Optical Microscope



OPTO-EDU (BEIJING) CO., LTD.

F-1501 Wanda Plaza, No.18 Shijingshan Road, Beijing 100043, China  
Tel:+8610 88696020 Fax:+8610 88696085

## A13.2607

### Inverted Metallurgical Microscope, BF,PL





Swiveling Siedentopf Binocular Rotatable 360° , WF10X/20mm

#### Super Wide Field Eyepiece

Swiveling Siedentopf Rotatable 360°, Inclined 45°, IPD: 48-75mm,  
Light distribution: 70:30(70% For Eyepiece, And 30% For Camera Tube), WF10X/20mm



Three-layer Working Stage, Stage size: 180 × 155mm

#### Mechanical Stage

Three-layer Working Stage, Stage size: 180x155mm



## LWD Infinity Plan Objectives

### Nosepiece & Objectives

Quadruple  
LWD Infinity Plan Objectives



## Analyzer & Polarizer & Grey Filter

### Polarizing

Analyzer & Polarizer & Grey Filter



Coaxial Coarse And Fine Focusing



0.65×C-Mount & Built In LED Illumination System

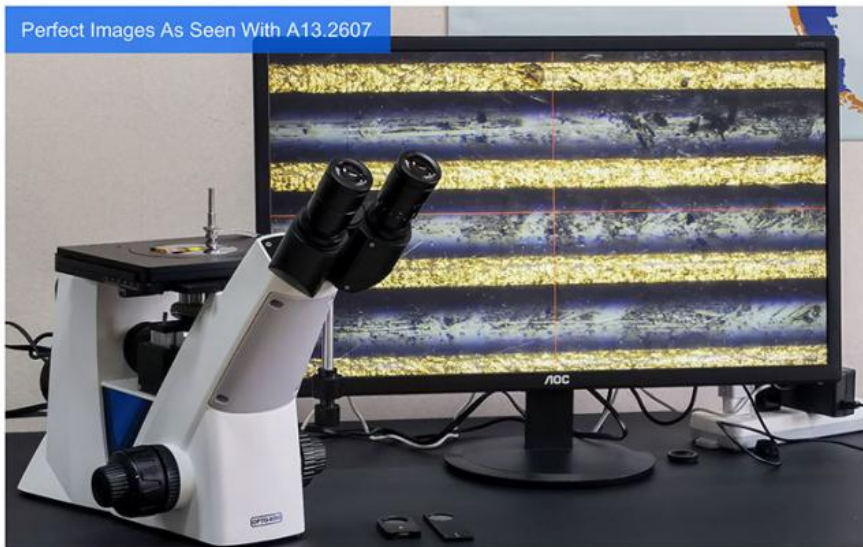
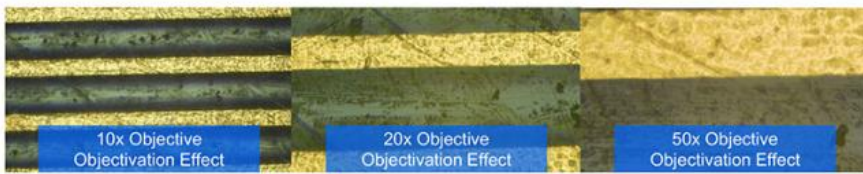


Powered By Safety Low Voltage Charger, Input Wide Voltage 100V-240V, Output 5V1A, Support Power Bank Supply For Outdoor Use

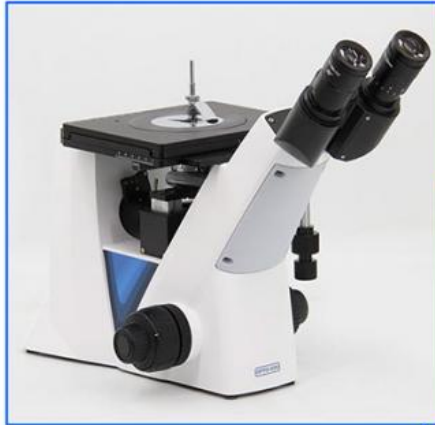
**5W LED Warm Lamp**  
**Powered By Safety Low Voltage Charger**

Input Wide Voltage 100V-240V, Output 5V1A, Support Power Bank Supply For Outdoor Use

**Product Effect**



## Product Multi-angle



## Product Overview



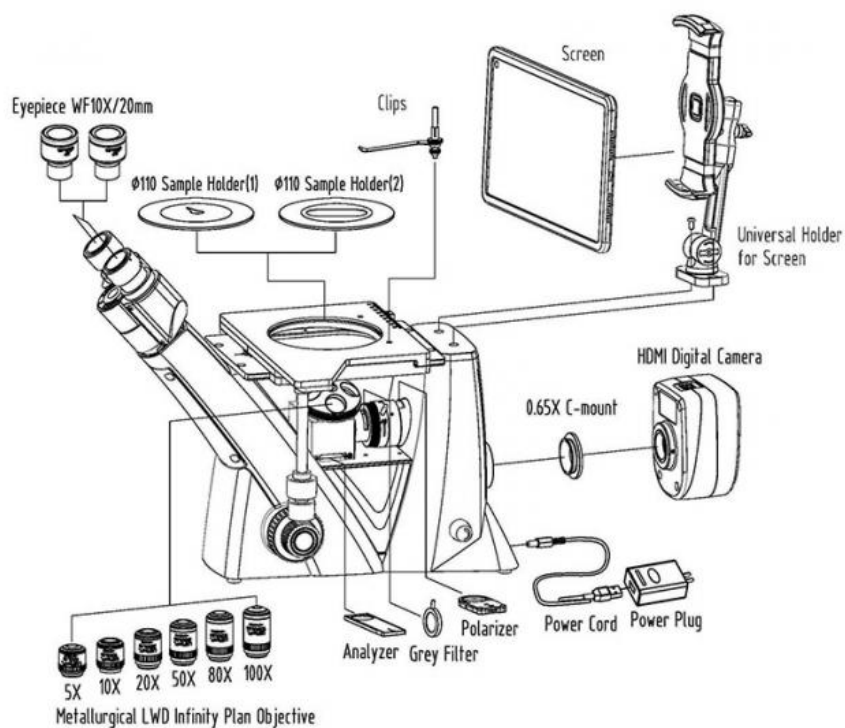
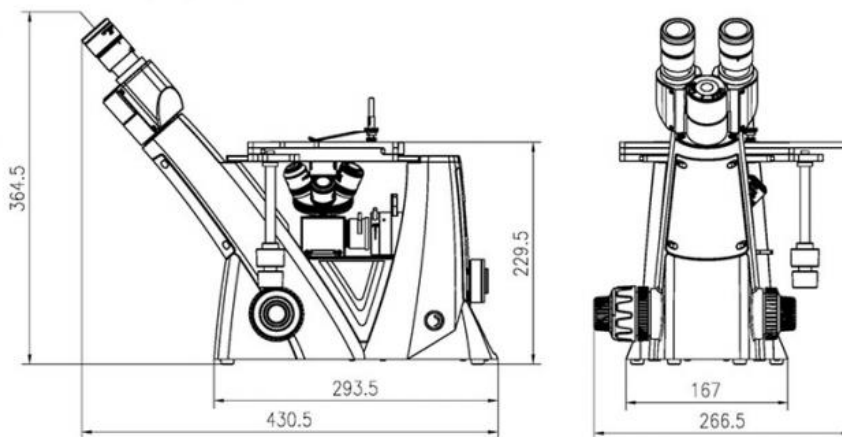
CCD Adapter With Built-in 0.65x C-Mount On The Back To Connect Digital Camera

Screen Holder Optional To Hold Max 10.1" HD Screen Or Tablet

Items	A13.2607 Inverted Metallurgical Microscope	
Head	Swiveling Siedentopf, Inclined 45°, IPD: 48-75mm, Light distribution: 70:30(70% For Eyepiece, And 30% For Camera Tube)	●
Eyepiece	WF10X/20mm, High Eyepoint	●
	WF10X/20mm, High Eyepoint, Adjustable Focus, Reticule 0.1mm	●
LWD Infinity Plan Objectives	LPL 5× 0.13, W.D.=16.04mm	●
	LPL 10× 0.25, W.D.= 18.48mm	●
	LPL 20× 0.40, W.D.= 8.35mm	●
	LPL 50× 0.70, W.D.= 1.95mm	●
	LPL 80× 0.80, W.D.= 0.85mm	○
	LMPlan FL 100× 0.85(Dry), W.D.= 3.00mm	○
Nosepiece	Quadruple	●
Mechanical Stage	Three-layer Working Stage, Stage size: 180×155mm, Moving Range:75×40mm, Scale: 0.1mm, Round Slide Size:φ110mm	●
Focusing	Coaxial Coarse And Fine, Coarse Stroke: 10mm, Fine Stroke PerRotation: 0.2mm, Fine Division 2 μm.	●
Polarizing Unit	Polarizer, Analyzer	●
Illumination	5W LED Warm Lamp, Powered By Safety Low Voltage Charger, Input Wide Voltage 100V-240V, Output 5V1A, Support Power Bank Supply For Outdoor Use	●
Filter	Grey	○
C-mount	0.65×C-Mount, Built-in	●
Holder	Universal Holder for HD Screen	○
HDMI Camera	With Measurement Function	○
HD Screen	10.1" HD LCD	○
Packing Size: 500mm×425mm×305mm Gross Weight:9.0 kgs Net Weight: 7.0 kgs		
Note: "●" In Table Is Standard outfits, "○" Is Optional Accessories.		

## Structure And Nomenclature

A13.2607 Size(mm)



Opto-Edu (Beijing) Co., Ltd.

☎ 0086 13911110627

✉ sale@optoedu.com

🌐 cnoec.com

F-1501 Wanda Plaza, No. 18 Shijingshan Road, Beijing 100043, China