



10W Polarizing LED Ring Light A56.0600 Microscope Accessories

Our Product Introduction

for more products please visit us on cnoec.com

Basic Information

- Place of Origin: China
- Brand Name: CNOEC, OPTO-EDU
- Certification: CE, Rohs
- Model Number: A56.3910
- Minimum Order Quantity: 1 pc
- Price: FOB \$1~1000, Depend on Order Quantity
- Packaging Details: Carton Packing, For Export Transportation
- Delivery Time: 5~20 Days
- Payment Terms: T/T, West Union, Paypal
- Supply Ability: 5000 pcs/ Month



Product Specification

- Applications: Microscope
- Certification: CE
- Product Name: Microscope Accessories
- Luminous Color: White Light
- Output Voltage: DC12V
- Power: 10W
- LED Quantity: 120(Φ3 Plug-in Lamp Beads)
- Highlight: **A56.0600 Microscope Accessories, 10W microscope led light, DC12V microscope led light**



More Images



Product Description

- Special polarized light material, polarized light rotation image is clear
- Brightness Adjustable 0~100% Dimming
- Integrated design, easy to install and save space
- The power supply and light source are designed separately
- The colorless temperature changes when the light source is adjusted
- No flicker of fluorescent lamp, the image is clear



OPTO-EDU (BEIJING) CO., LTD.

OPTO-EDU

F-1501 Wanda Plaza, No.18 Shijingshan Road, Beijing 100043, China
Tel:+8610 88696020 Fax:+8610 88696085

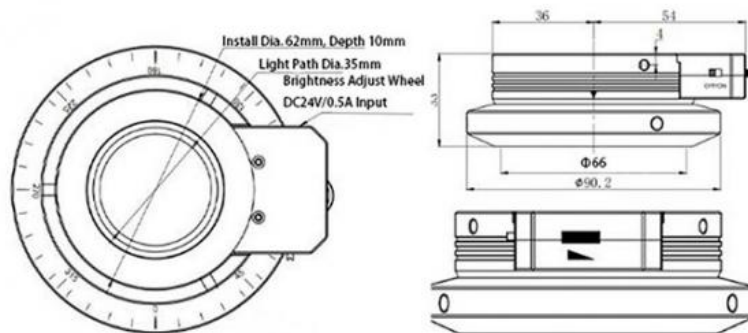
A56.3910 Polarizing LED Ring Light



Product Details



- Special polarized light material, polarized light rotation image is clear
- Brightness Adjustable 0~100% Dimming
- Integrated design, easy to install and save space
- The power supply and light source are designed separately
- The colorless temperature changes when the light source is adjusted
- No flicker of fluorescent lamp, the image is clear



Product Details



Product Specification

| A56.3910 Polarizing LED Ring Light | |
|------------------------------------|----------------------------|
| Input Voltage | DC24V/500mA |
| Service Life | >20000Hours |
| Luminous Color | White Light |
| Inner Dia. | 35mm |
| Out Dia. | 90mm |
| Installing Calibre | 62mm |
| Output Voltage | DC12V |
| Brightness Adjustment | 0~100% Dimming |
| Power | 10W |
| LED Quantity | 120(Φ3 Plug-in Lamp Beads) |
| Material | Metal Shell |
| Color Temperature | 6000K~6500K |
| Product Weight | 350g |



Opto-Edu (Beijing) Co., Ltd.

☎ 0086 13911110627

✉ sale@optoedu.com

🌐 cnoec.com

F-1501 Wanda Plaza, No. 18 Shijingshan Road, Beijing 100043, China