



## Achromatic OPTO-EDU A11.6603-M 1000x School Monocular Microscope

Our Product Introduction

### Basic Information

- Place of Origin: China
- Brand Name: CNOEC, OPTO-EDU
- Certification: CE, Rohs
- Model Number: A11.6603-M
- Minimum Order Quantity: 1 pc
- Price: Negotiation
- Packaging Details: Carton Packing, For Export Transportation
- Delivery Time: 5~20 Days
- Payment Terms: T/T, West Union, Paypal
- Supply Ability: 5000 pcs/ Month



### Product Specification

- Head: Monocular Head, Inclined 30°
- Applications: Student|school
- Certification: CE|Rohs
- Drawtube: Monocular
- Condenser: Abbe Condenser N.A.1.25, Iris Diaphragm, Spiral Up/Down, With Filter Holder
- Max Magnification: 1000X
- Product Name: Microscope
- Highlight: **opto edu, 1000x School Microscope, Achromatic School Microscope**



### More Images

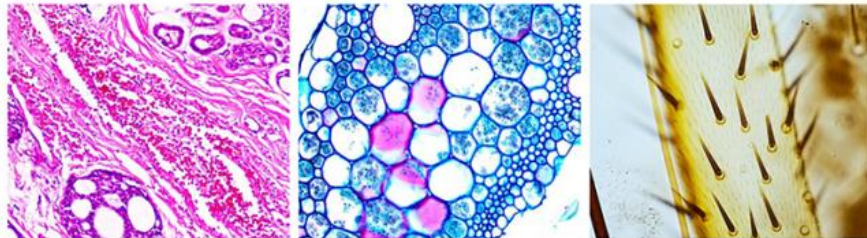


for more products please visit us on [cnoec.com](http://cnoec.com)



### Newly Design in 2019 For Student & School!

- New Design in 2019 For Student & School!
- China Industrial Best Design Award-Red Star Winner Product!
- 3W LED High Brightness, Support Cordless Charging Battery or Solar Power
- Excellent Optical Quality System Supply Sharp Image
- Elegant Design With Built-in Easy Handle For Easy Moving + Wire Winding Device



#### Smart And Elegant New-generation Modeling Design



A11.6603-M



A11.6603-B, B1



A11.6603-T, T1

## Unique Head And Frame Integrated Body To Ensure The Stability Of Microscope Body



### Unique Head And Frame Integrated Body & Integrated Design Of The Eyepiece Lens Barrel

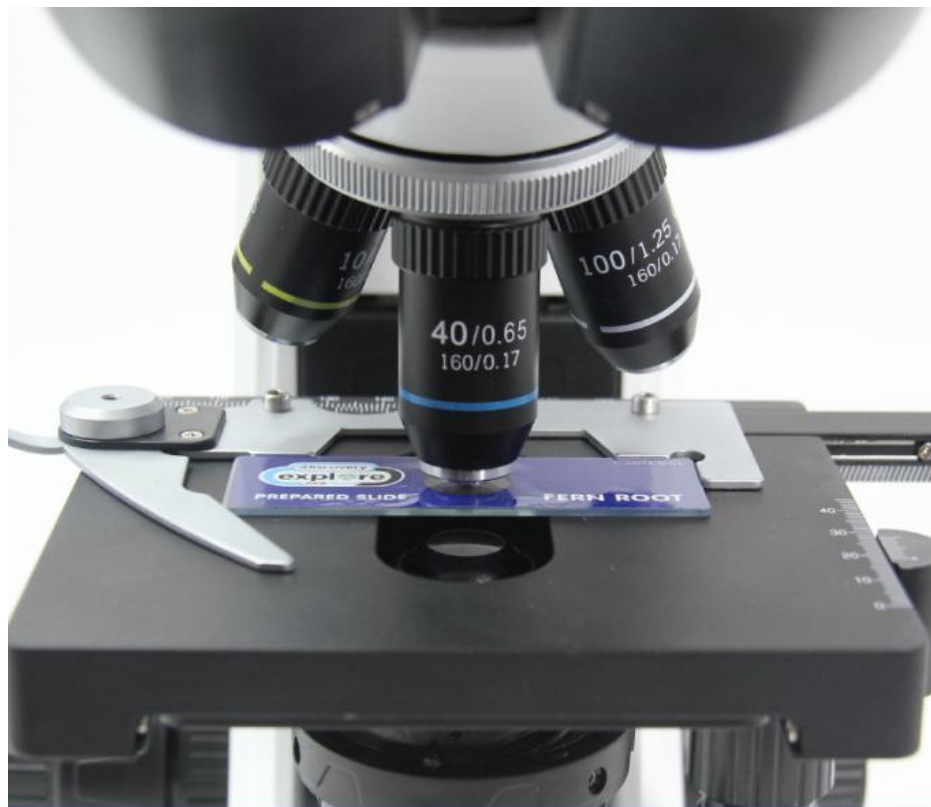
Butterfly Type (Butterfly) Binocular Design, The Lens Barrel Can Be Rotated 360°, The Height Of The Eye Point Is 44mm, Which Is Convenient For People With Different Sitting Height; The Integrated Design Of The Eyepiece Lens Barrel, Avoids The Loss And Contamination Of The Eyepiece And Enhances The Integrated Performance Of The Microscope



### Exclusive And Innovative Low-power Dimming Objective

#### Exclusive And Innovative Low-power Dimming Objective

No Need To Adjust The Brightness Between High And Low Power Objectives



**Mechanical Stage Size 125 × 115mm  
Travel Range 33 × 71mm**

**Mechanical Stage**

Mechanical Stage Size 125×115mm, Travel Range 33×71mm



**Abbe Condenser N.A.1.25, Iris Diaphragm, Spiral Up/Down  
3W LED Illumination With Aspheric Collector**

**Condenser & Light Source**

Abbe Condenser N.A.1.25, Iris Diaphragm, Spiral Up/Down, With Filter Holder  
3W LED Illumination With Aspheric Collector



Coaxial Coarse & Fine Focusing



Observation Window At The Rear Of The Body

**Newly Designed Rear Storage Space & Observation Window At The Rear Of The Body**  
For Easy Handling And Storage; You Can See The Change Of Objective Magnification Even From The Back



Newly Designed Rear Storage Space

**Newly Designed Rear Storage Space & Observation Window At The Rear Of The Body**  
For Easy Handling And Storage; You Can See The Change Of Objective Magnification Even From The Back



Powered By Safety Low Voltage Charger, Input Wide Voltage 100V-240V, Output 5V1A, Support Power Bank Supply For Outdoor Use

**Powered By Safety Low Voltage Charger**

Input Wide Voltage 100V-240V, Output 5V1A, Support Power Bank Supply For Outdoor Use



Brand New 5-12V Low-voltage Input, Revolutionary Design To Ensure Student Safety In Using

**Product Accessories**



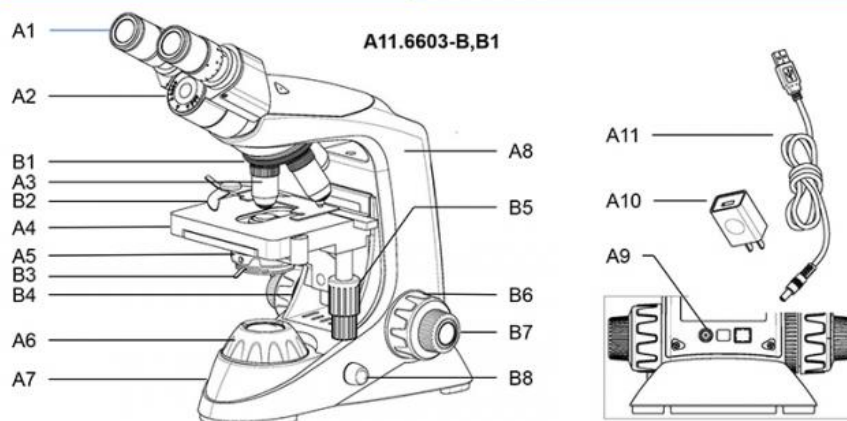
**A5D.2611-B**  
Dark Field Ring
**A55.2601-B05**  
0.5x C-Mount (Focus Adjustable)
**A55.2601-B10**  
1x C-Mount (Focus Adjustable)

Items	A11.6603 Student Biological Microscope Specification	M	B	T	B1	T1	Cata. No.
Head	Monocular Head, Inclined 30°	•					A53.2603-M
	Seidentopf Binocular Head, Inclined 30°, Swiveling Siedentopf Head, Interpupillary Distance: 48-75mm		•		•		A53.2603-B
	Seidentopf Trinocular Head, Swiveling Siedentopf Head, Interpupillary Distance: 48-75mm, Light Split Fixed P20:E80			•		•	A53.2603-T
Eyepiece	WF10x/18mm	••	••	••	••	••	A51.2602-1018
	WF16x/13mm	∞	∞	∞	∞	∞	A51.2602-1613
	WF10x/18mm With Pointer	∞	∞	∞	∞	∞	A51.2604-1018
	WF10x/18mm (Non-adjustable, Reticule 0.1mm)	∞	∞	∞	∞	∞	A51.2605-1018
	WF10x/18mm (Adjustable, Reticule 0.1mm)	∞	∞	∞	∞	∞	A51.2605-1018D
Nosepiece	Quadruple, Backward	•	•	•	•	•	A54.2610-N03
Achromatic Objective	4x/0.1, W.D.=18.6mm	•	•	•			A52.2601-4
	10x/0.25, W.D.=6.5mm	•	•	•			A52.2601-10
	20x/0.40, W.D.=1.75mm	o	o	o			A52.2601-20
	40x/0.6(S), W.D.=0.47mm	•	•	•			A52.2601-40
	60x/0.80(S), W.D.=0.10mm	o	o	o			A52.2601-60
	100x/1.25(S,O), W.D.=0.07mm	•	•	•			A52.2601-100

Plan Objective	4x/0.1, W.D.=14.5mm					•	•	A52.2603-4
	10x/0.25, W.D.=5.65mm					•	•	A52.2603-10
	40x/0.6(S), W.D.=0.85mm					•	•	A52.2603-40
	100x/1.25(S,O), W.D.=0.07mm					•	•	A52.2603-100
Working Stage	Mechanical Stage Size 125×115mm, Travel Range 33×71mm	•	•	•	•	•	•	A54.2601-S03
Condenser	Abbe Condenser N.A.1.25, Iris Diaphragm, Spiral Up/Down, With Filter Holder	•	•	•	•	•	•	A56.2614-09
Focusing	Coaxial Coarse & Fine Focusing, Coarse Focusing Travel Range: 25mm, Fine Focusing Scale 2µm/Division	•	•	•	•	•	•	
Adapter	1.0x C-Mount				○		○	A55.2601-B10
	0.5x C-Mount Focus Adjustable				○		○	A55.2601-B05
Dark Field	Dark Field Ring, For 4x~40x Objective	○	○	○	○	○	○	A5D.2611-B
Light Source	3W LED Illumination With Aspheric Collector, <a href="#">Powered By Safety Low Voltage Charger, Input Wide Voltage 100V-240V, Output 5V1A, Support Power Bank Supply For Outdoor Use</a>	•	•	•	•	•	•	A56.2612-3W
Package	Carton Size 26x35x46cm, 1 Unit/Ctn							
Weight	Gross Weight 7.0kgs, Net Weight 5.5kgs							

Note: "•" In Table Is Standard Outfits, "○" Is Optional Accessories.

## Component Description

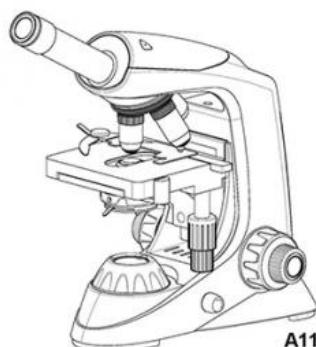


### A Component Description

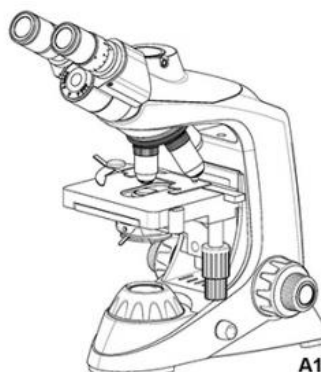
A1—Eyepiece For Observation Imaging  
A2—Eyepiece Observation Tube (monocular, Binocular, Trinocular Eyepiece Observation Tube), Equipped With Eyepiece And Digital Equipment  
A3—Objectives For Imaging Specimens  
A4—Mechanical Moving Stage For Specimens  
A5—Abbe Condenser For Adjusting The Lighting Effect Of The Lighting Source  
A6—Illuminator For Lighting Source  
A7—Base  
A8—Mirror Arm  
A9—Dc Input Power Socket  
A10—Power Adapter  
A11—Power Cable

### B Operating Component Description

B1—Converter For Objectives With Different Magnifications  
B2—Stage Slide Holder For Holding Section Samples  
B3—Aperture Stop Lever For Adjusting Condenser Illumination Contrast  
B4—Elastic Adjustment Ring, Used To Adjust The Coarse And Fine Focus Handwheel When Necessary  
B5—Stage Moving Hand Wheel For Adjusting The Horizontal And Vertical Movement Position Of The Specimen  
B6—Coarse Focus Handwheel For Coarse Focus Adjustment Of Samples  
B7—Fine Focus Handwheel For Fine Focus Adjustment Of Specimen  
B8—Switch, Dimming Knob, Used To Turn On The Power Of The Illuminator, And Adjust The Light Source Brightness



A11.6603-M



A11.6603-T, T1






**Opto-Edu (Beijing) Co., Ltd.**

 0086 13911110627

 [sale@optoedu.com](mailto:sale@optoedu.com)

 [cnoec.com](http://cnoec.com)

F-1501 Wanda Plaza, No. 18 Shijingshan Road, Beijing 100043, China