



## Laboratory Compound Xsz 107bn 1600x Biological Microscope

Our Product Introduction

for more products please visit us on [cnoec.com](http://cnoec.com)

### Basic Information

- Place of Origin: China
- Brand Name: CNOEC, OPTO-EDU
- Certification: CE, Rohs
- Model Number: A11.1007
- Minimum Order Quantity: 1 pc
- Price: Negotiation
- Packaging Details: Carton Packing, For Export Transportation
- Delivery Time: 5~20 Days
- Payment Terms: T/T, West Union, Paypal
- Supply Ability: 5000 pcs/ Month

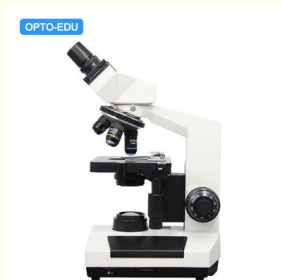


### Product Specification

- Applications: School|Laboratory
- Certification: CE|Rohs
- Drawtube: Binocular|Monocular|Trinocular
- Max Magnification: 1600x
- Product Name: Microscope
- Theory: Biological Microscope
- Highlight: **Xsz 107bn Biological Microscope, microscope 107bn, 1600x Biological Microscope**



### More Images





## A11.1007

### Laboratory Biological Microscope XSZ107BN





## A11.1007 **OPTO-EDU** The 107BN Series Microscope

A11.1007 , the 107BN series microscope , is derived from the classic Olympus model and has been produced in China for more than 30 years . Its classic appearance and optical design , mature production technology , and complete upgrade options (BF, DF, PH, PL, FL) , as well as the extremely low price and stable quality brought by the large production quantity , make it still the most frequently selected model in the hospital level and laboratory entry level , which can be described as one of the most classic microscope model.

Opto-Edu's A11.1007 is the best quality 107BN series microscope in market. Unlike most of "the cheapest " 107BN on the market, our products insist on using an full-metal body , an full-copper objective lens housing, and a full set of high-quality optical glass system to achieve the best optical imaging results. Due to the **high cost-effectiveness** of Opto-Edu's products, it won a bidding order for **10,000** units in Bangladesh in 2019, and there are no bad reviews after smooth delivery!



## **A11.1007** **The 107BN Series Microscope**

A11.1007 , the 107BN series microscope , is derived from the classic Olympus model and has been produced in China for more than 30 years . Its classic appearance and optical design , mature production technology , and complete upgrade options (BF, DF, PH, PL, FL) , as well as the extremely low price and stable quality brought by the large production quantity , make it still the most frequently selected model in the hospital level and laboratory entry level , which can be described as one of the most classic microscope model.

Opto-Edu's A11.1007 is the best quality 107BN series microscope in market. Unlike most of "the cheapest " 107BN on the market, our products insist on using an full-metal body , an full-copper objective lens housing, and a full set of high-quality optical glass system to achieve the best optical imaging results. Due to the high cost-effectiveness of Opto-Edu's products, it won a bidding order for 10,000 units in Bangladesh in 2019, and there are no bad reviews after smooth delivery!



**A11.1007-16**  
**Seidentopf Binocular White**



**A11.1007-17**  
**Sliding Binocular Black**



**A11.1007-17T**  
**Sliding Trinocular Black**



**A11.1007-27**  
**Seidentopf Binocular Black**



**A11.1007-17W**  
**Sliding Binocular White**



**A11.1007-27W**  
**Seidentopf Binocular White**



**A11.1007-27T**  
**Seidentopf Trinocular Black**



**A11.1007-17WT**  
**Sliding Trinocular White**



**A11.1007-27WT**  
**Seidentopf Trinocular White**





Optional Silvery Color



Optional Plan Objective



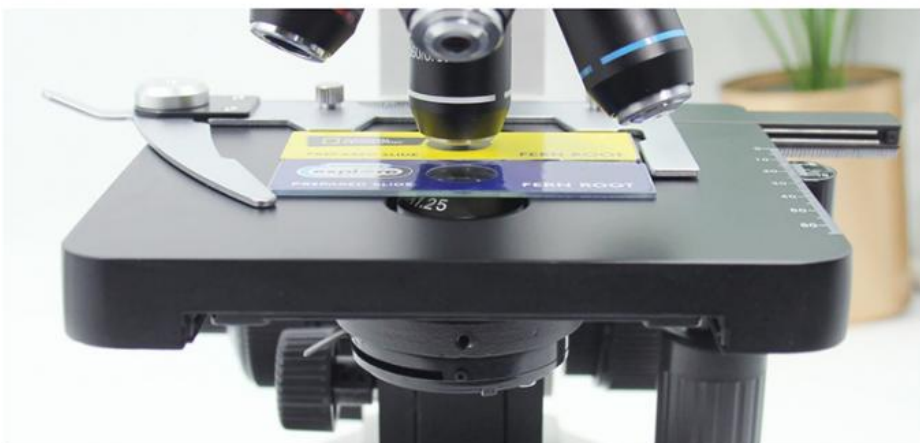
Standard Black Color

### Quadruple Nosepiece With Achromatic Objectives

- Achromatic Objectives : 4x, 10x, 40x(s), 100x(s). Standard Black Color.
- 40x And 100x Objective Lens Has A Spring Design, It Will Not Damage The Objective Lens And Sample.
- The 100x Objective Lens Is An Oil Objective Lens. Cedar Oil Is Used As A Medium For Better Observation.

### Quadruple Nosepiece With Achromatic Objectives

- Achromatic Objectives : 4x, 10x, 40x(s), 100x(s). Standard Black Color.
- 40x And 100x Objective Lens Has A Spring Design, It Will Not Damage The Objective Lens And Sample.
- The 100x Objective Lens Is An Oil Objective Lens. Cedar Oil Is Used As A Medium For Better Observation.

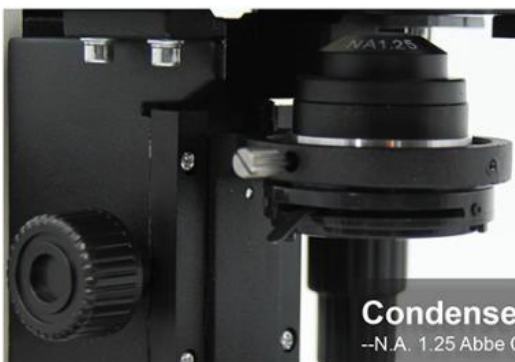


### Working Stage

- Double Layer Mechanical Stage, Size 140x140mm, Moving Range 50x75mm
- Medium-sized Large Working Stage, You Can Place Two Microscope Slides For Easy Observation And Comparison.

### Working Stage

- Double Layer Mechanical Stage, Size 140x140mm, Moving Range 50x75mm
- Medium-sized Large Working Stage, You Can Place Two Microscope Slides For Easy Observation And Comparison.



### Condenser

- N.A. 1.25 Abbe Condenser, Iris Diaphragm, With Filter Holder.

### Condenser

- N.A. 1.25 Abbe Condenser, Iris Diaphragm, With Filter Holder.

## Low Position Coaxial Coarse & Fine

Ergonomic, Easier To Operate.  
 --Fine Focusing Scale 0.002mm.  
 --With Tension Adjustment, With Up Limit,  
 Personalized Settings, You Can Adjust The Tension According  
 To Individual Needs.



## Low Position Coaxial Coarse & Fine

Ergonomic, Easier To Operate.  
 --Fine Focusing Scale 0.002mm.  
 --With Tension Adjustment, With Up Limit,  
 Personalized Settings, You Can Adjust The Tension According To Individual Needs.



**Built-in 3W LED Light**  
 (6V20W Halogen Lamp Optional)



Switch Button Controls The Opening  
 And Closing Of The Light Source



Sliding Control Light Source Brightness



Optional  
 Plan-concave Mirror

## Built-in 3W LED Light

(6V20W Halogen Lamp Optional)

## Product Specification

**OPTO-EDU**

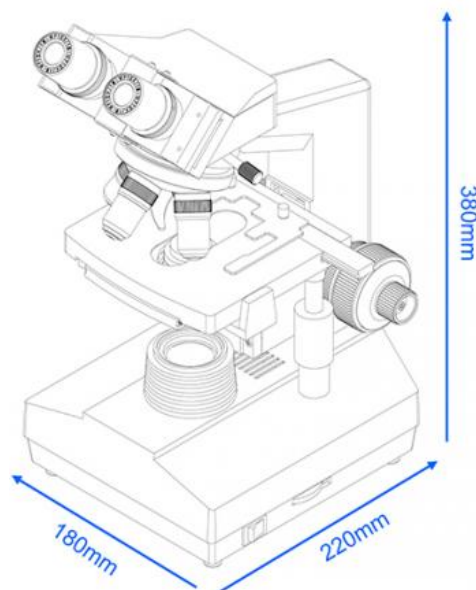
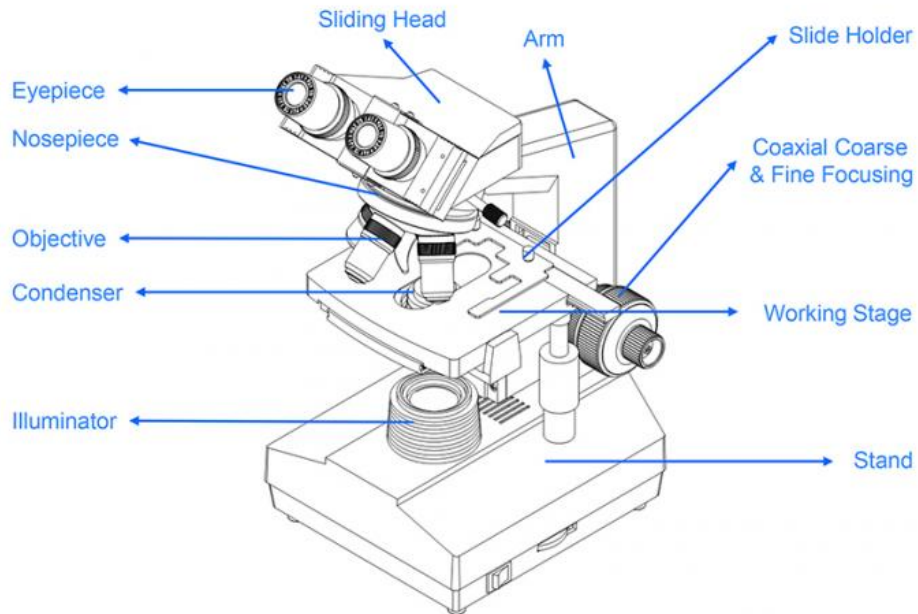


A11.1007 Biological Microscope		16	17	17T	27	27T	17W	17WT	27W	27WT
Magnification	40x~1600x									
Head	Black Monocular Teaching Head, 45° Inclined, 360° Rotatable	•								
	Black Sliding Binocular Head, 45° Inclined, 360° Rotatable		•							
	Black Sliding Trinocular Head, 45° Inclined, 360° Rotatable			•						
	Black Seidentopf Binocular Head, 30° Inclined, 360° Rotatable				•					
	Black Seidentopf Trinocular Head, 30° Inclined, 360° Rotatable					•				
	White Sliding Binocular Head, 45° Inclined, 360° Rotatable						•			
	White Sliding Trinocular Head, 45° Inclined, 360° Rotatable							•		
	White Seidentopf Binocular Head, 30° Inclined, 360° Rotatable								•	
	White Seidentopf Trinocular Head, 30° Inclined, 360° Rotatable									•
Adapter	1.0x C-Mount, Eyepiece Adapter	•		•		•		•		•
Eyepiece	Wide Field WF10x/18mm, WF16x/11mm									
Nosepiece	Quadruple Nosepiece									
Objective	Achromatic Objective									
	4x/0.1, W.D.=25mm									
	10x/0.25, W.D.=11mm									
	40x/0.6(S), W.D.=3.8mm									
	100x/1.25(S,Oil), W.D.=0.1mm									

Stage	Double Layer Mechanical Stage, 140x140mm, Moving Range 50x75mm, Double Slide Holder
Focusing	Low Position Coaxial Coarse & Fine Focusing. Fine Focusing Scale 0.002mm, With Tension Adjustment, With Up Limit
Condenser	N.A.1.25 Abbe Condenser, Iris Diaphragm, With Filter Holder
Filter	Blue, Yellow, Green
Light Source	Built-in Illumination 3W LED, Brightness Adjustable
Packing	Foam + Carton, 1 pc/carton, Packing Size: 33x28x43cm, G.W.6.5Kg, N.W 5.0Kg
	Foam + Wooden Case, 1 pc/case, Packing Size: 39x35x52cm, G.W.11.5Kg, N.W 5.0Kg

## A11.1007 Size(mm) & Structure

**OPTO-EDU**







**A33.1009=A11.1007-T+A59.3509**

A59.3509: 5.0M, 9" LCD, 1/2.8" CMOS, Screen Resolution 1024\*600, USB2.0 Real Time Image Output, TF Card, USB HDMI Mouse Control Menu For Measure

**A33.1009=A11.1007-T+A59.3509**

A59.3509: 5.0M, 9" LCD, 1/2.8" CMOS, Screen Resolution 1024\*600, USB2.0 Real Time Image Output, TF Card, USB HDMI Mouse Control Menu For Measure



**Can Be Upgraded to A59.3521 LCD Screen**

10.5" LCD Touch Screen Android Pad, 8.0M, Measurement, Recording, Taking Photo And Entering The Album

**Can Be Upgraded to A59.3521 LCD Screen**

10.5" LCD Touch Screen Android Pad, 8.0M, Measurement, Recording, Taking Photo And Entering The Album



Upgraded To A33.1009 LCD Digital Microscope  
A33.1009=A11.1007-T+A59.3509



OPTO-EDU

### Product Accessories

OPTO-EDU



Wide Field  
WF10X/18mm

Wide Field  
WF16X/11mm

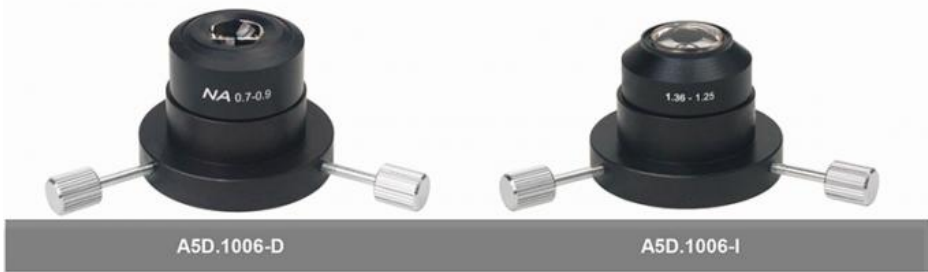
0.45x C-Mount  
With Reduction Lens

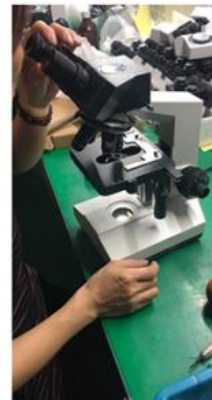
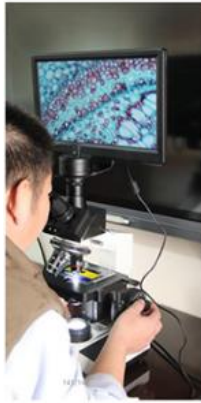


Eyepiece Adapter  
1.0x C-Mount For  
A11.1007-17, -17WT



Eyepiece Adapter  
1.0x C-Mount For  
A11.1007-16, -27, -27WT





Opto-Edu (Beijing) Co., Ltd.

☎ 0086 13911110627

✉ sale@optoedu.com

🌐 cnoec.com

F-1501 Wanda Plaza, No. 18 Shijingshan Road, Beijing 100043, China