



USB2.0 Mouse Measure 5.0M 10x Zoom Digital Microscope Camera

Our Product Introduction

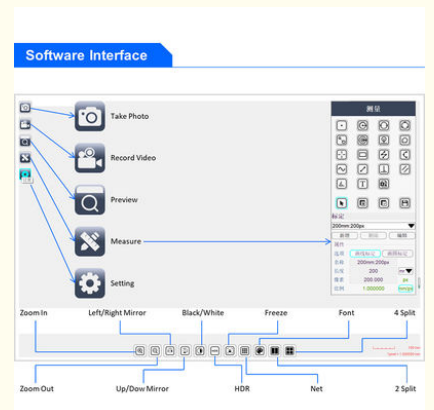
Basic Information

- Place of Origin: China
- Brand Name: CNOEC, OPTO-EDU
- Certification: CE, Rohs
- Model Number: A59.3509
- Minimum Order Quantity: 1 pc
- Price: FOB \$1~1000, Depend on Order Quantity
- Packaging Details: Carton Packing, For Export Transportation
- Delivery Time: 5~20 Days
- Payment Terms: T/T, West Union, Paypal
- Supply Ability: 5000 pcs/ Month



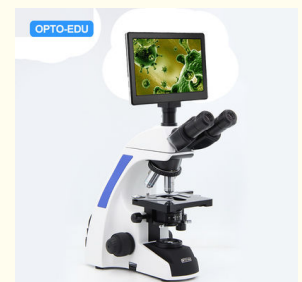
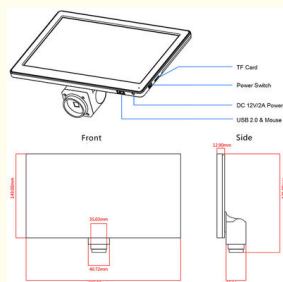
Product Specification

- Sensor: 1/2.8" Sony Star Light Level CMOS Sensor
- Resolution: 5.0M CMOS
- LCD Screen: 9" LCD, Resolution 1024x600 High Clearance Screen
- Output: USB 2.0 Type-A, TF Card
- Pixel Size: 2.0x2.0um
- Power Supply: DC 12V/2A Power Adapter, Input 100-240V AC
- Highlight: **opto edu digital microscope camera, 10x zoom digital microscope camera, 10x zoom usb microscope camera**



for more products please visit us on cnoec.com

More Images



Product Description

OPTO-EDU A59.3509 9" LCD Digital Camera USB2.0 Mouse Measure 5.0M

5.0M, 9" LCD, 1/2.8" CMOS, Screen Resolution 1024*600, USB2.0 Real Time Image Output, TF Card, USB Mouse Control Menu For Measure, DC12V/2A, 100~240V.

9" LCD Screen High Resolution 1024*600 Pixels

5.0M Digital Camera 1/2.8" CMOS Sony Sensor

USB2.0 Real Time Image Output + TF Card Storage

USB Mouse Control Menu For Measure Function

DC12V/2A, 100~240V Power Adapter

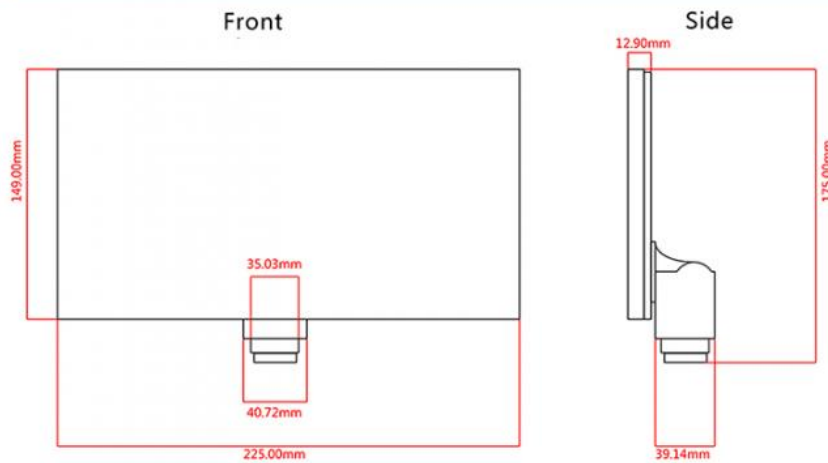
Product Details



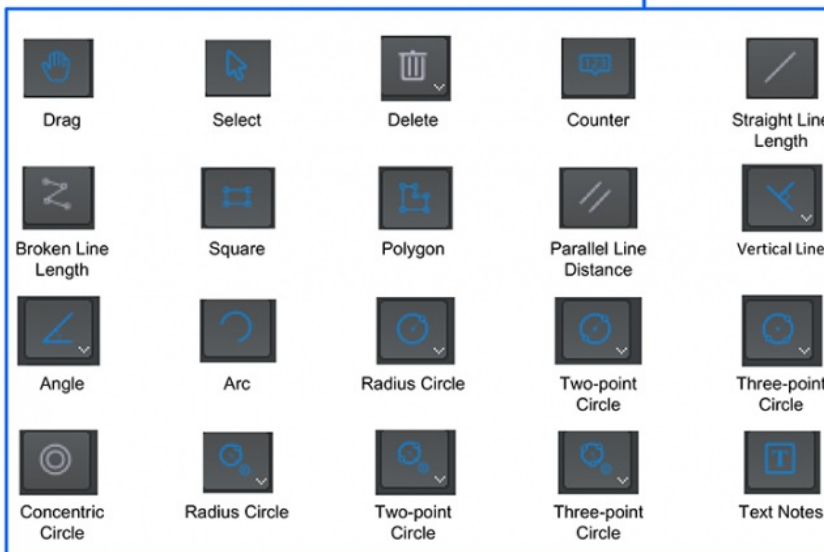
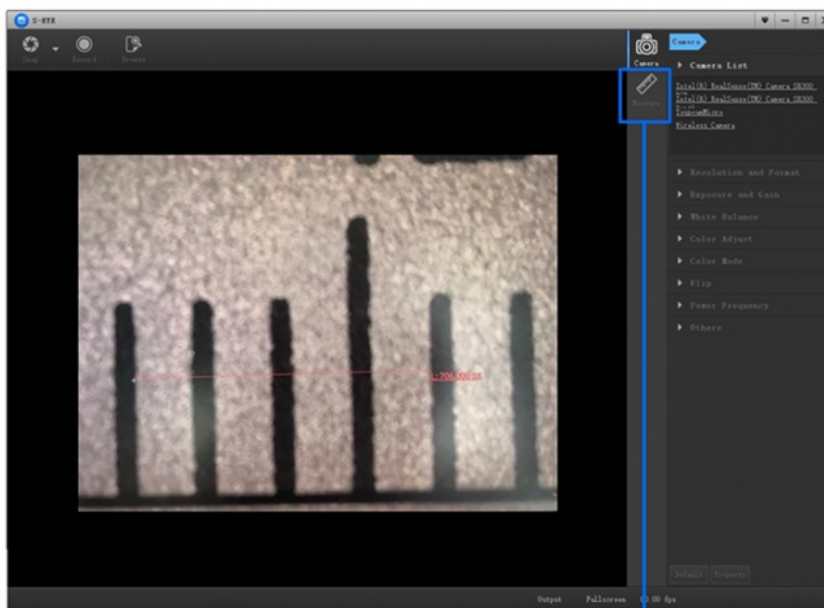
Product Accessories



Product Size



S-EYE Measure Software For Windows



Items	A59.3509 9" LCD Digital Camera, USB+Mouse Measure, 5.0M
Sensor	1/2.8" Sony Star Light Level CMOS Sensor
Resolution	5.0M CMOS
LCD Screen	9" LCD, Resolution 1024x600 High Clearance Screen
Output	USB 2.0 Type-A, TF Card
Pixel Size	2.0x2.0um

Power Supply	DC 12V/2A Power Adapter, Input 100-240V AC
Function	Photo, Video, Measure, Compare
	Support USB Mouse Control To Capture Photo, Video, Measure, Setting
	USB 2.0 To Win 7, Win10 System, Software S-Eye Included
	Brightness, Contrast, Exposure, White Balance Adjustable
	10x Digital Zoom, 4 Split/ 2 Split Windows Image Compare
	Storage To TF Card
	Cross Line With Scale, Calibrated
	Net Line 8 Kinds, Width & Color Adjustable
Size / Weight	Product Size 225x52x175mm, Net Weight 0.7Kg
Standard Package	LCD Camera, USB 2.0 Cable, Mouse, DC12V Power Adapter
USB Mouse Control Operation Manual	<ol style="list-style-type: none"> 1. Insert the mouse into the camera Type-A USB 2.0 port, connect 12V power supply to camera. 2. Turn on the power switch, when the camera is running, the LED light turns blue 3. Move the mouse to the top left corner of the screen to call up the MAIN MENU, including icon : Take Photo, Record Video, Preview, Measure, Setting. 4. Move the mouse to the middle position at the bottom of the screen to call up the QUICK MENU, including icon: Zoom In, Zoom Out, Up/Dow Mirror, Left/Right Mirror, Black/White, HDR, Freeze, Net, Font, 2 Split, 4 Split 5. Click the MEASURE icon to pop up the measure window, which support over 20 kinds of measurement graphics. 6. Click the EDIT button and fill in the name to of new ruler to CALIBRATE. Move the mouse to the corresponding standard scale in the image display window and draw a standard length scale line. Then fill in the length column and click SAVE to complete the calibration setting. If you want to add more ruler, just repeat above steps. 7. Click mm/PX to open or close the screen scale. 8. If the USB port is directly connected to the computer, the screen and the computer can be displayed synchronously (the USB cable must be connected to the computer before the device is powered on)



Opto-Edu (Beijing) Co., Ltd.



0086 13911110627



sale@optoedu.com



cnoec.com

F-1501 Wanda Plaza, No. 18 Shijingshan Road, Beijing 100043, China