



Opto-Edu A31.1062 WIFI Digital 5.0M Binocular Laboratory Microscope

Our Product Introduction

Basic Information

- Place of Origin: China
- Brand Name: CNOEC, OPTO-EDU
- Certification: CE, Rohs
- Model Number: A31.1062
- Minimum Order Quantity: 1 pc
- Price: FOB \$1~1000, Depend on Order Quantity
- Packaging Details: Carton Packing, For Export Transportation
- Delivery Time: 5~20 Days
- Payment Terms: T/T, West Union, Paypal
- Supply Ability: 5000 pcs/ Month



Product Specification

- Optical System: NIS Infinite Optical System
- Observation Method: Bright Field
- Head: Digital Head, Built-in Wireless Digital Camera 5.0M
- Eyepiece: EW10x/22mm, Diopter Adjustable, Dia.30mm
- Nosepiece: Quintuple Nosepiece, Dovetail Interface
- Objective%22: %22NIS45 Infinity Plan Objective%22: 4x/0.10, W.D.20.6mm
- Objective%22: %22NIS60 Infinity Plan Objective%22: 4x/0.10, W.D.30.0mm
- Focusing: Coaxial Coarse & Fine Adjustment
- Working Stage: Double Layer Mechanical Rackless Stage
- Condenser: Inserted Abbe Condenser N.A. 1.25
- Highlight: **opto edu digital laboratory microscope, opto edu binocular laboratory microscope, 5.0m binocular laboratory microscope**

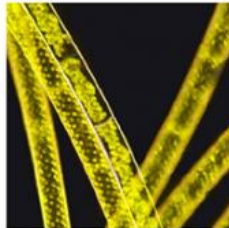


for more products please visit us on cnoec.com

Product Description

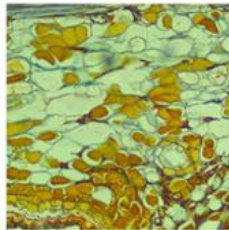
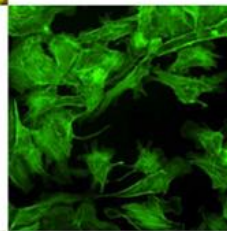
Brand New Design 5.0M WIFI + USB2.0 Digital Laboratory Research Microscope
Coding Quintuple Nosepiece LCD Screen Base With Brightness Memory Function
Large Rackless Safty Working Stage 230x150mm, Moving Range 78x54mm
Infinity Plan NIS60 Objective 4x10x40x100x, Water 100x Immersion Available
Upgradeable To Dark Field, Polarizing, Phase Contrast & Fluorescent Function

A31.1062 Digital WIFI Laboratory Microscope, 5.0M



Bright Field
Dark Field
Phase Contrast
Simple Polarizing
Observation
Combined

Upgradeable To
Fluorescence
Microscope
A16.1062



Creative Water
Immersion
Objective 100x
And LCD Screen
With Coded
Nosepiece



A31.1062 Digital Microscope, WIFI & USB

Built-in Camera 5.0M, USB 2.0 or WIFI Output, Supporting Android, IOS, Windows Operating System,
Wired And Wifi Modes The Image Under The Microscope Can Be Output To
The External Device In Real Time, And There Is No Data Line Connection, And The Operator Can Move More Freely.



A31.1062 WIFI+USB Digital Microscope



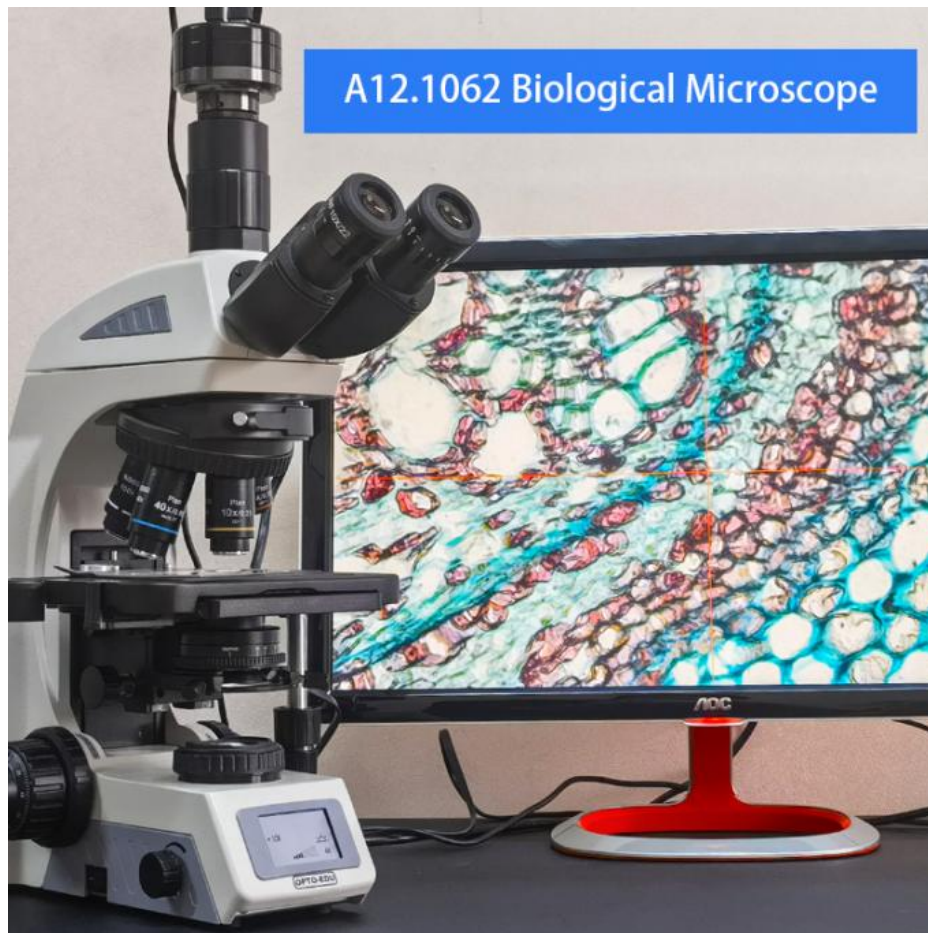
A12.1061
Laboratory Microscope

A12.1062
Laboratory Microscope
LCD Screen Base

A16.1062
LED Fluorescent
Microscope, B,G

NIS Infinity Optical System

Nis Infinity Plan Objectives Can Provide High Contrast And Very Flat Image Up To Fn 22. With Fn 22 Wide Field Eyepieces, The System Always Brings You Sharp, Excellent Resolution And High Signal To Noise Ratio Imaging.



[Case For A12.1061, A12.1062, A16.1062, More Details & Pictures](#)

Coded Nosepiece (Available In A12.1062 Series)

It Can Memorize The Illumination Brightness When Using Each Objective.

When Different Objectives Are Converted To Each Other,

The Light Intensity Is Automatically Adjusted To Reduce Visual Fatigue And Improve Work Efficiency.



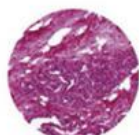
Information LCD Screen



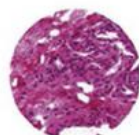
4x



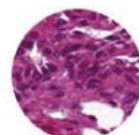
10x



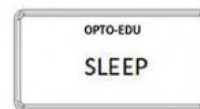
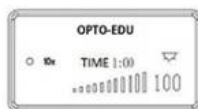
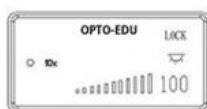
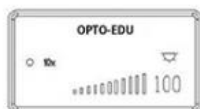
20x



40x



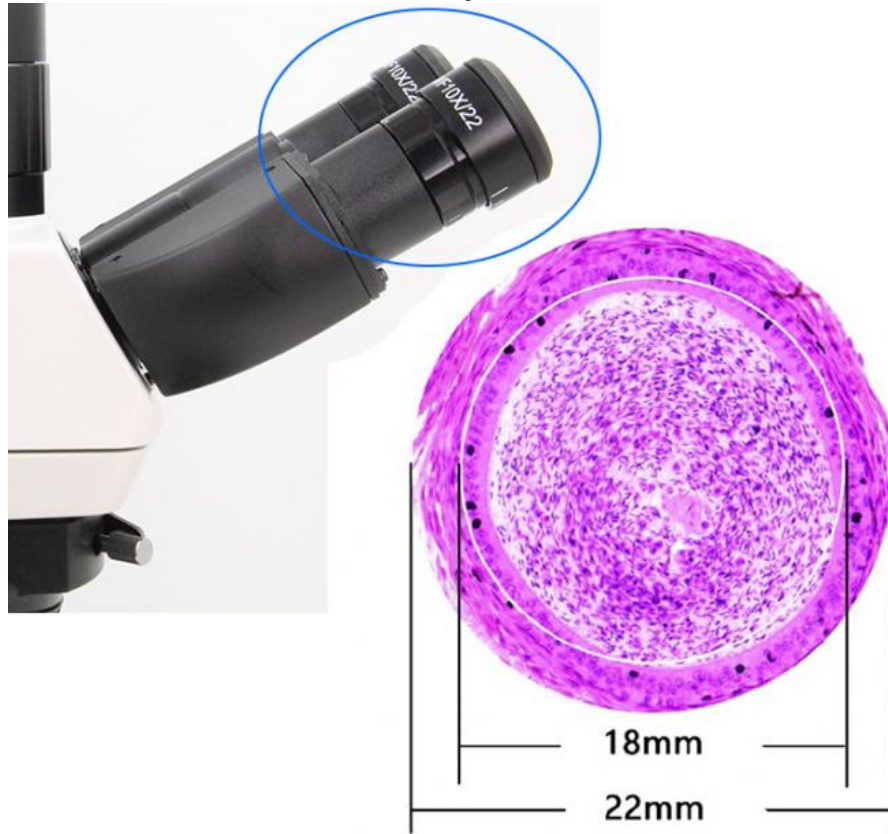
100x



22mm Wide Field Of View

The A12.1062 Microscope Achieves The Wide Field Of 22mm View With 10x Eyepieces

For A More Comprehensive Observation Content And Faster Sample Observation.
The Eyepiece Adopts A Flat Field Distortion-free Design To Prevent The Edge Of The Field From Being Imaginary And Stray Light.



WF10x/22mm Super Wide View Field

Plan Objective

By Using Infinity Plan Objectives, Flat Image With Higher Imaging Reduction Degree Over The Entire Field Of View Could Be Achieved.



40x LWD Objective

The Working Distance Of 40x Objective Can Be Up To 1.5mm, Avoiding The Erosion From

Residual Immersion Oil And Water When Converted From 100x To 40x Objective.

100x Water-immersion Objective

Ordinary 100x Oil-immersion Objective Needs To Use Cedar Oil As The Observation Medium. After Use, It Needs To Be Cleaned With Ether Alcohol Or Xylene, Which Is Easy To Cause Air Pollution And Improper Cleaning.

The Water - Immersion Objective Uses Water As A Medium To Solve The Above Problems Perfectly, Reducing The Damage To The Body And Environmental Pollution.



40x LWD Infinity Plan W.D. Up To 1.5mm

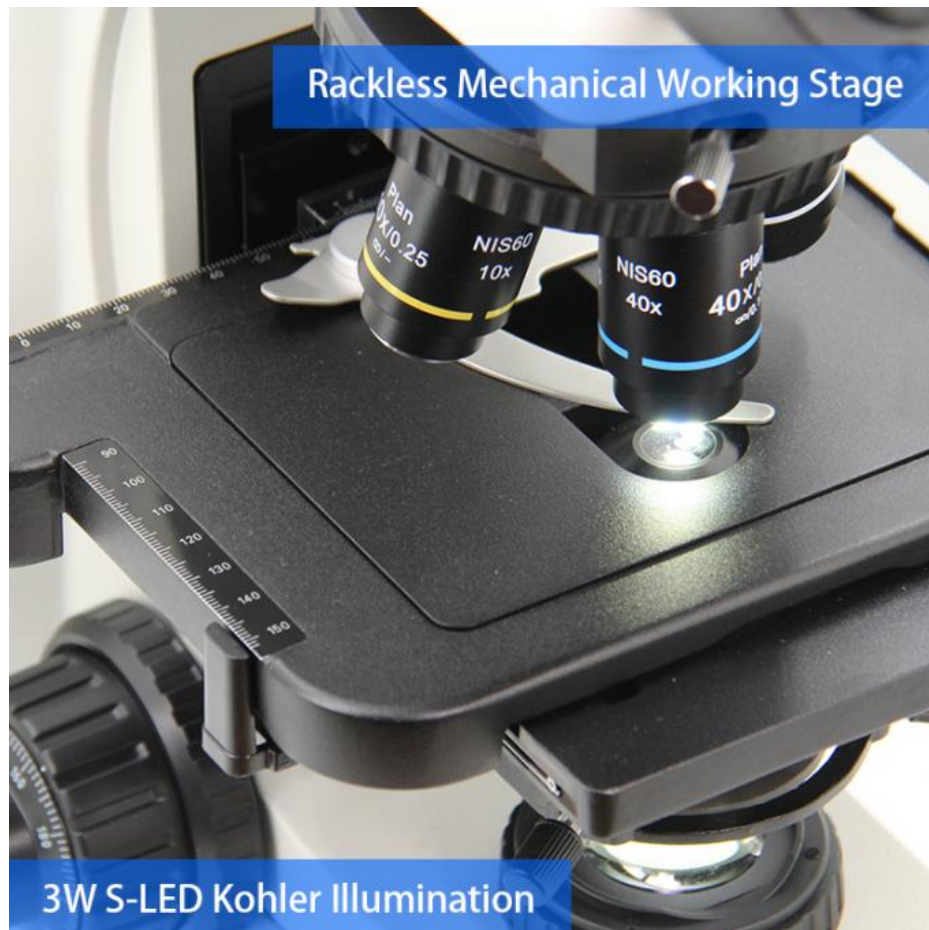


100x Water Immersion Objective



Working Stage

Double Layer Mechanical Rackless Stage, Size 230x150mm, Moving Range 78x54mm, Anti-Scratch Hard Coating Dural Platform



Ergonomic Design

In Daily Scientific Research Teaching And Pathological Diagnosis, Working In Front Of The Microscope For A Long Time Has Become The Norm, And The Consequent Use Fatigue Often Leads To Physical Discomfort, Thereby Reducing Work Efficiency And Effectiveness.

This A12.1062 Microscope Uses An Ergonomic Design, High Eye-point, Low-hand Focus Mechanism, Low-hand Stage And Other Ergonomic Designs To Ensure The User Can Perform Microscope Operation In The Most Comfortable Situation. . The Focus Knob, Illumination Control Knob And Stage Handle Are All In Close Proximity. The User Can Put Both Hands On The Table While Working, And Can Operate A12.1062 With Minimal Movement.



Ergonomic Designed Low Position
For Long Time Comfortable Working



Easy To Move & Store Power Cord

Multifunctional Universal Condenser

A12.1062 Offers Universal Condensers For Bright Field, Dark Field And Phase Contrast. The Observation Methods Could Be Quickly Switched By Switching The Slider. The Phase Contrast And Bright Field Slider Is Universal For 4x- 100x Objectives Also, Simple And Fast To Use. The N.A. Value Index On The Aperture Diaphragm Of The Condenser Is Easily Set To Get Exact Size Of Diaphragm To Correspond With The Different Objectives.



Multifunctional Universal Condenser

External Rechargeable Battery

A USB Charging Port Is Reserved On The Body, Which Can Be Used As A Microscope Power Source. This Microscope Can Also Be Used Outside And During Power Outages To Get Rid Of The Microscope's Dependence On The Power Outlet.

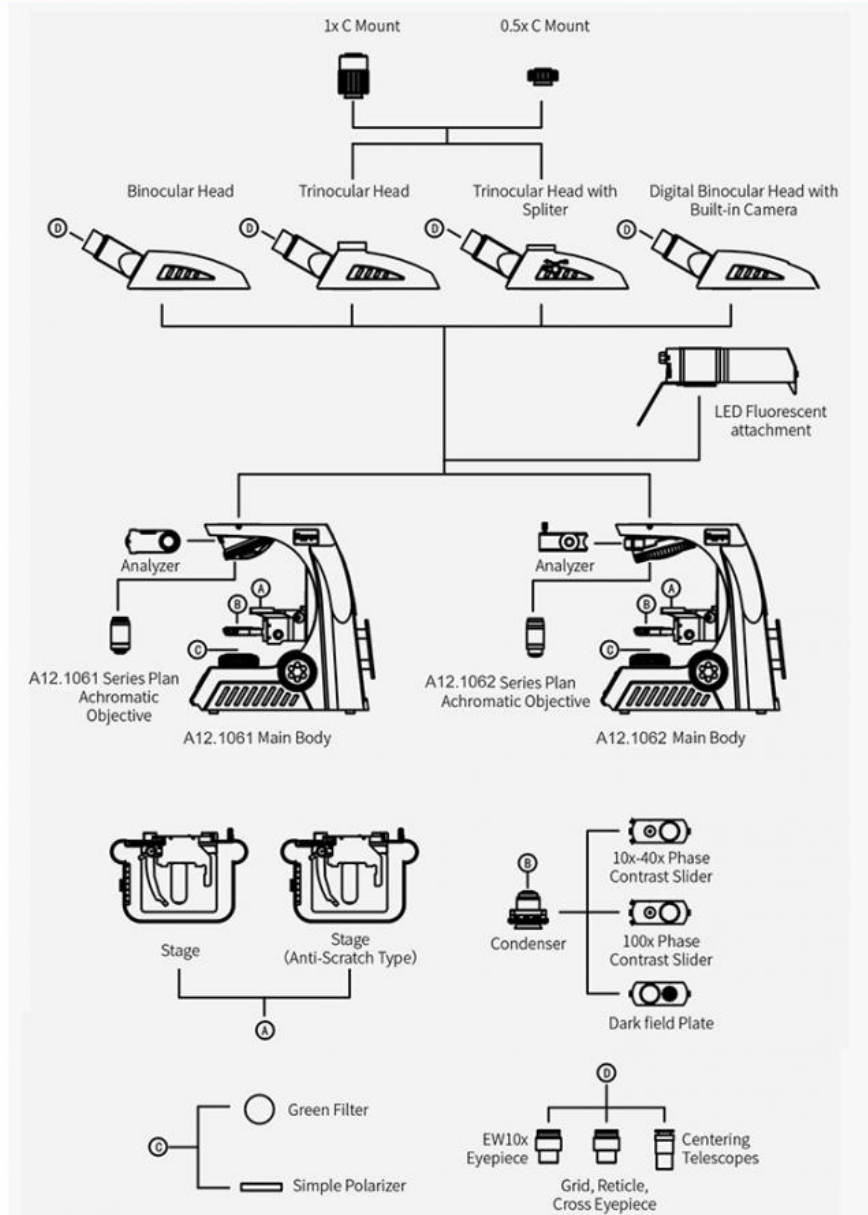


A31.1062 Digital WIFI Laboratory Microscope, 5.0M		A31.1062		Cata. No.
		5.0M	5.0W	
Optical System	NIS Infinite Optical System	●	●	
Observation Method	Bright Field	●	●	
	Dark Field	○	○	
	Phase Contrast	○	○	
	Epi-Fluorescence	●	●	
	Polarizing	○	○	
Head	Seidentopf Binocular Head, Inclined At 30°, Interpupillary Distance 47-78mm, Eyepiece Tube Dia.30mm	●		A53.1061-B
	Seidentopf Trinocular Head, Inclined At 30°, Interpupillary Distance 47-78mm, Eyepiece Tube Dia.30mm, Light Path Fixed 50:50		●	A53.1061-T
	Seidentopf Trinocular Head, Inclined At 30°, Interpupillary Distance 47-78mm, Eyepiece Tube Dia.30mm, Light Path Switchable 0:100/100:0	○	○	A53.1061-TS
	Tilting Binocular Head, Inclined 5°~35°, Interpupillary Distance 47-78mm, Eyepiece Tube Dia.30mm	○	○	A53.1061-BS
	Digital Head, Built-in Digital Camera 5.0M, Support Android, IOS, Windows, Output Image By WIFI In Real Time	●		A53.1061-5.0M
	Digital Head, Built-in Wireless Digital Camera 5.0M, Support Android, IOS, Windows, Output Image By WIFI In Real Time		●	A53.1061-5.0W
	App Software, By Scanning QR Code On Microscope, Installing App & Identifying Microscope, You Can View Micro Image On Mobile Phone & Tablet.	●	●	
Eyepiece	EW10x/22mm, Diopter Adjustable, Dia.30mm	●	●	A51.1029-1022
	EW15x/16mm, Diopter Adjustable, Dia.30mm	○	○	A51.1029-1516
	EW20x/12mm, Diopter Adjustable, Dia.30mm	○	○	A51.1029-2012
Nosepiece	Quintuple Nosepiece, Dovetail Interface	-	-	
	Coded Quintuple Nosepiece, Dovetail Interface	●	●	
NIS45 Infinity Plan Objective	4x/0.10, W.D.20.6mm	-	-	A52.1045-4
	10x/0.25, W.D.17.9mm	-	-	A52.1045-10
	20x/0.40, W.D.6.40mm	-	-	A52.1045-20
	40x/0.60, W.D.1.50mm	-	-	A52.1045-40
	60x/0.80, W.D.0.30mm	-	-	A52.1045-60
	100x/1.25(Oil), W.D.0.16mm	-	-	A52.1045-100
	100x/1.10(Water), W.D.0.16mm	-	-	A52.1045-100W
	4x/0.10, W.D.30.0mm	●	●	A52.1060-4
	10x/0.25, W.D.10.2mm	●	●	A52.1060-10

NIS60 Infinity Plan Objective	20x/0.40, W.D.4.8mm	○	○	A52.1060-20
	40x/0.65, W.D.1.5mm	●	●	A52.1060-40
	60x/0.80, W.D.0.30mm	○	○	A52.1060-60
	100x/1.25(Oil), W.D.0.3mm	●	●	A52.1060-100
	100x/1.10(Water), W.D.0.2mm	○	○	A52.1060-100W
NIS60 Infinity Plan Phase Contrast Objective	10x/0.25, W.D.10.2mm	○	○	A5C.1060-10
	20x/0.40, W.D.12.0mm	○	○	A5C.1060-20
	40x/0.65, W.D.0.7mm	○	○	A5C.1060-40
	100x/1.25(Oil), W.D.0.2mm	○	○	A5C.1060-100
Focusing	Coaxial Coarse & Fine Adjustment, Tension Adjustable, Fine Division 0.002mm, Coarse Focusing Range 28mm	●	●	
Working Stage	Double Layer Mechanical Rackless Stage, Size 230x150mm, Moving Range 78x54mm	-	-	
	Double Layer Mechanical Rackless Stage, Size 230x150mm, Moving Range 78x54mm, Anti-Scratch Hard Coating Dural Platform	●	●	
Condenser	Inserted Abbe Condenser N.A. 1.25, With Slot For Phase Contrast Slide And Dark Field Slide.	●	●	
Illumination	1W S-LED Critical Illumination	-	-	
	3W S-LED Kohler Illumination	●	●	
	Green Filter	●	●	
Dark Field Polarizing	Dark Field Slide	○	○	A5D.1062
	Simple Polarizing Set	○	○	A5P.1008
Phase Contrast	Phase Slider For 10x-40x	○	○	A5C.1062-S1040
	Phase Slider For 100x	○	○	A5C.1062-S100
Epi-Fluorescence Attachment	3W LED Epi-Fluorescence Attachment, Fly-Eye Lens Illumination, With 2 Filter Position + Bright Field Position, Switch Quickly, With Attachable UV Shield, B, G Filters	●	●	A5F.1062
	Filter U	○	○	A5F.1062-U
	Filter V	○	○	A5F.1062-V
Photo Adapter	1.0x C-Mount	○	○	A55.1062-1.0
	0.5x C-Mount	○	○	A55.1062-0.5
Power Supply	AC 100-240V,50/60Hz	●	●	
	USB Charging Port, Support To Use Exeternal Rechargeable Battery Power Bank Like Mobile Phone Out Door Freely	●	●	
LCD Screen	LCD Screen On Front Of Body, Display Using State Of Microscope, Including Magnification, Light Intensity, Standby Status, Set Power Off Timer 5 Mins to 8 Hours, And So On.	●	●	
Dimensions	220(W)x290(D)x472(H) mm	●	●	

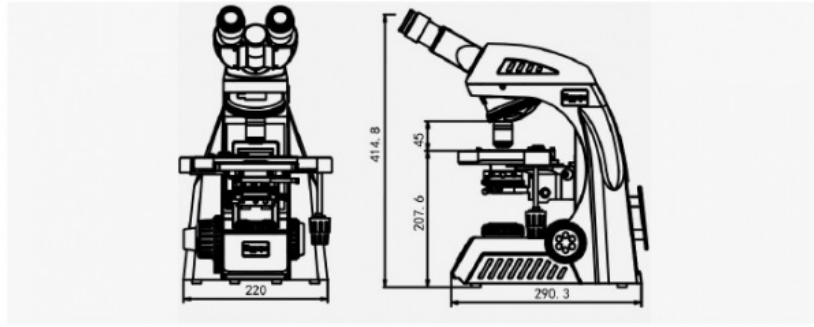
Note: "●" In Table Is Standard Outfits, "○" Is Optional Accessories "-" Is Unavailable

System Diagram



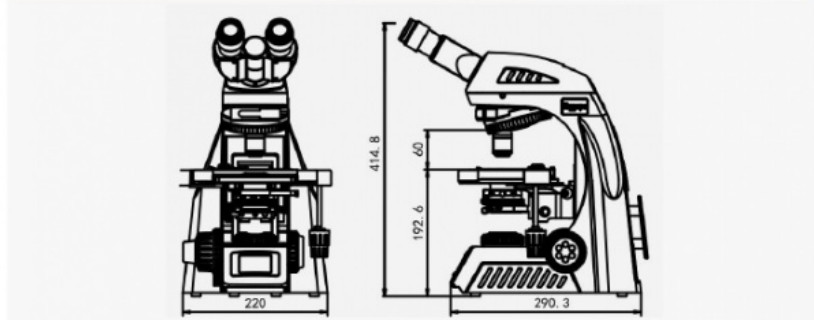
A12.1061 Dimension

Unit: mm



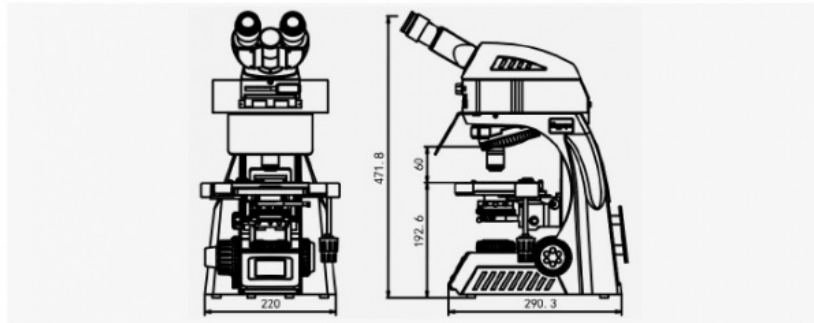
A12.1062 Dimension

Unit: mm



A16.1062 Dimension

Unit: mm



Opto-Edu (Beijing) Co., Ltd.

☎ 0086 13911110627

✉ sale@optoedu.com

🌐 cnoec.com

F-1501 Wanda Plaza, No. 18 Shijingshan Road, Beijing 100043, China