



A12.1018 OPTO-EDU Trinocular Biological Microscope Laboratory

Our Product Introduction

for more products please visit us on cnoec.com

Basic Information

- Place of Origin: China
- Brand Name: CNOEC
- Certification: CE
- Model Number: A12.1018
- Minimum Order Quantity: 1
- Price: \$1-\$1000
- Packaging Details: Carton
- Delivery Time: 1month
- Payment Terms: T/T, West Union and Paypal
- Supply Ability: 10000



Product Specification

- Optical System: Infinity Plan Optical System
- Function: Bright Field, Optional Dark Field, Polarizing, Phase Contrast, Fluorescent
- Eyepiece: Extra Wide Field Eyepiece EW10x/22mm, Eyepiece Tube Dia.30mm
- Nosepiece: Backward Quintuple Nosepiece, With Slide Slot
- Highlight: opto edu trinocular biological microscope, 22mm eyepiece trinocular biological microscope, opto edu microscope laboratory



More Images



Product Description

Trinocular, EW10x/22mm, Quintuple, Infinity Plan Objective 4x10x40x100x, Mechanical Stage 185x142/ 55x75mm, Swingout NA0.9/0.25, Coaxial Coarse & Fine, External Halogen 6V30W, Kohler Illumination Aspherical Collector, Eyepiece Adapter

| | | |
|---|---|---------------|
| A12.1018 Laboratory Biological Microscope | | |
| Optical System | Infinity Plan Optical System | |
| Function | Bright Field, Optional Dark Field, Polarizing, Phase Contrast, Fluorescent | |
| Head | Seidentopf Trinocular Head, 30° Inclined, 360° Rotatable, Interpupillary 48~75mm, Left Eyepiece Tube Diopter Adjustable | |
| Eyepiece | Extra Wide Field Eyepiece EW10x/22mm, Eyepiece Tube Dia.30mm | |
| Nosepiece | Backward Quintuple Nosepiece, With Slide Slot | |
| Objective | Infinity Plan Achromatic Objective 4x,10x,40x,100x | |
| Focusing | Coaxial Coarse & Fine Adjustment, Focusing Range 24mm, Fine Division 0.001mm, Coarse Stroke 37.7mm | |
| Working Stage | Double Layer Mechanical Stage, 185*142mm, Moving Range 55*75mm | |
| Condenser | Swing Out Condenser N.A.0.9/0.25 | |
| Illumination | Halogen Lamp 6V30W, External Kohler Illumination, With Aspherical Collector, Brightness Adjustable | |
| Filter | Green, Blue | |
| Adapter | Trinocular Adapter + Eyepiece Tube Photo Adapter Dia.23.2mm | |
| Optional Accessories | | |
| Head | Seidentopf Binocular Head, 30° Inclined, Interpupillary 48~75mm | A53.1003-7 |
| | Upgrade to Tilting Binocular Head 5°~35° | A53.1005-3 |
| | Upgrade to Tilting Trinocular Head 5°~35° | A53.1005-4 |
| Eyepiece | Extra Wide Field Eyepiece EW10x/20mm, Eyepiece Tube Dia.30mm | A51.1003-1020 |
| | Extra Wide Field Eyepiece EW20x/12mm, Eyepiece Tube Dia.30mm | A51.1003-2012 |
| | Extra Wide Field Eyepiece EW15x/16mm, Eyepiece Tube Dia.30mm | A51.1003-1516 |
| Objective | Infinity Plan Achromatic Objective 20x | A52.1006-20 |
| | Infinity Plan Achromatic Objective 60x | A52.1006-60 |
| Nosepiece | Sextuple Nosepiece | A54.1001-6 |
| Illumination | Upgrade To Halogen Lamp 24V50W, For Better Dark View | A56.1018-50W |
| | Upgrade To Halogen Lamp 24V100W, For Better Dark View | A56.1018-100W |
| Adapter | 0.45x C-Mount | A55.1002-45 |
| Dark Field | Dark Field Condenser, N.A. 0.7~0.9, Dry, Use With 40x Or Lower Magnification Objective | A5D.1010-D |
| | Dark Field Condenser, N.A. 1.25~1.36, Immersion, Use With 100x Objective | A5D.1010-I |
| | Dark Field Objective, Infinity Plan 100x(Oil) | A5D.1030-3 |
| | Dark Field Objective, Infinity Plan 100x(Oil), With Iris Diaphragm | A5D.1030-4 |
| Phase Contrast | Infinity Plan Turret Phase Contrast Set | A5C.1003-A1 |
| | --Infinity Plan Turret Phase Contrast Condenser | |
| | --Infinity Plan Phase Contrast Objective 4x,10x,40x,100x | |
| | --Centering Telescope 10x | |
| | --Green Filter | A5C.1003-A2 |
| | Infinity Achromatic Turret Phase Contrast Set | |
| | --Infinity Achromatic Turret Phase Contrast Condenser | |
| | --Infinity Achromatic Phase Contrast Objective 4x,10x,40x,100x | |
| --Centering Telescope 10x | A5F.1002-BG | |
| --Green Filter | | |
| EPI-Fluorescent Kit, Upgrade to A16.1028 | | |
| --Power Supplier 220V/110V Interchangeable, Digital Display | | |
| Flourescent | --100WHBO Ultra Hi-Voltage Spherical Mercury Lamp | A5F.1002-BG |
| | --Barrier To Resist Ultraviolet Light | |
| | --Fluorescence Free Oil | |
| | --Excitation Filter B/G | |
| | EPI-Fluorescent Kit, Upgrade to A16.1028 | A5F.1002-BGVU |
| | --Power Supplier 220V/110V Interchangeable, Digital Display | |
| | --100WHBO Ultra Hi-Voltage Spherical Mercury Lamp | |
| | --Barrier To Resist Ultraviolet Light | |
| --Fluorescence Free Oil | | |
| --Excitation Filter B/G/V/U | | |

| | | |
|------------|--|------------|
| | EPI LED Fluorescent Kit, Upgrade To A16.1029 | A5F.1004-B |
| | EPI Light 3W LED 465~475nm, B Excite Filter BP460~490, | A5F.1004-G |
| | EPI Light 3W LED 525~530nm, G Excite Filter BP510~550 | A5F.1004-G |
| Polarizing | Polarizing Attachment , Polarizer, Analyzer, Intergrate Device | A5P.1002 |



OPTO-EDU (BEIJING) CO., LTD.

OPTO-EDU

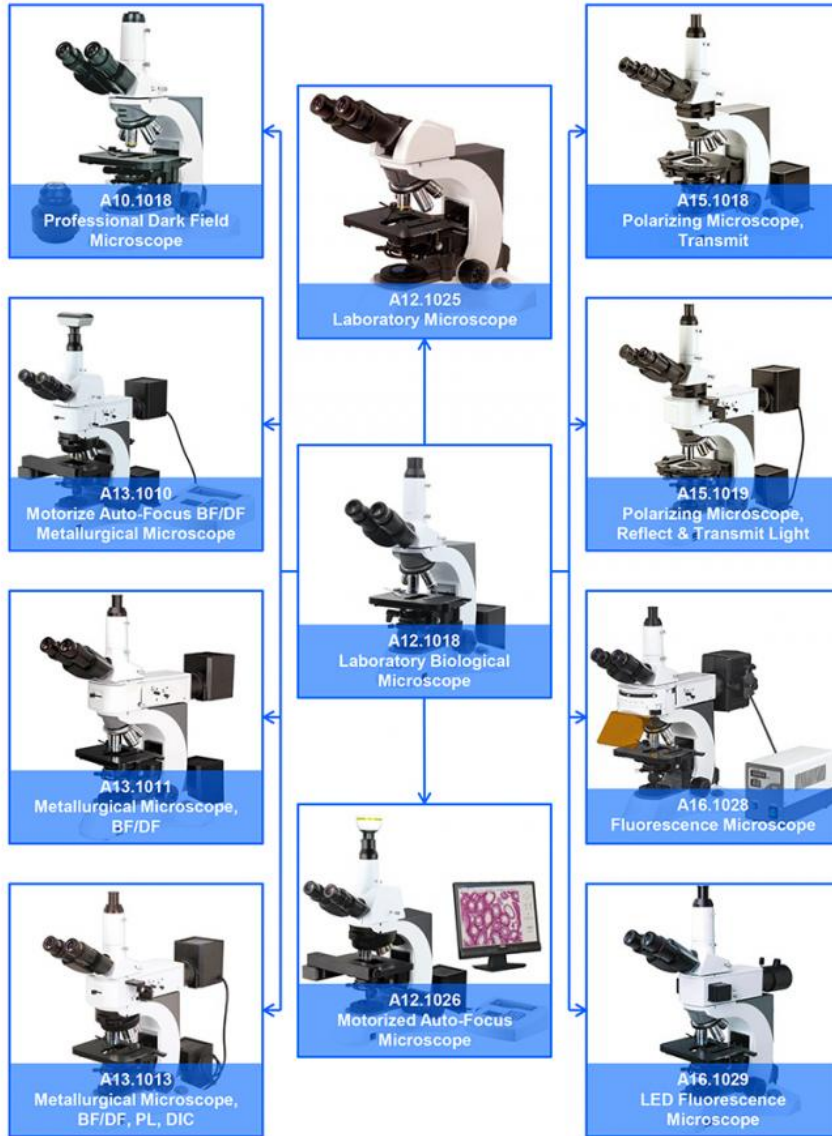
F-1501 Wanda Plaza, No.18 Shijingshan Road, Beijing 100043, China
Tel:+8610 88696020 Fax:+8610 88696085

A12.1018

Laboratory Biological Microscope



A12.1018 Microscope Can Be Extended To Following Concerned Models





Seidentopf Trinocular Head, 30° Inclined, 360° Rotatable, Interpupillary 48~75mm, Left Eyepiece Tube Diopter Adjustable



Backward Quintuple Nosepiece, With Slide Slot Infinity Plan Achromatic Objective 4x,10x,40x,100x



Double Layer Mechanical Stage,
185*142mm, Moving Range 55*75mm



Swing Out Condenser N.A.0.9/0.25



Halogen Lamp 6V30W, External Kohler Illumination, With Aspherical Collector, Brightness Adjustable FUSE Protection Circuit, Replaceable



Coaxial Coarse & Fine Adjustment, Focusing Range 24mm, Fine Division 0.001mm, Coarse Stroke 37.7mm, With Lock



Product Accessories



Immersion Dark Field Condenser



Dry Dark Field Condenser

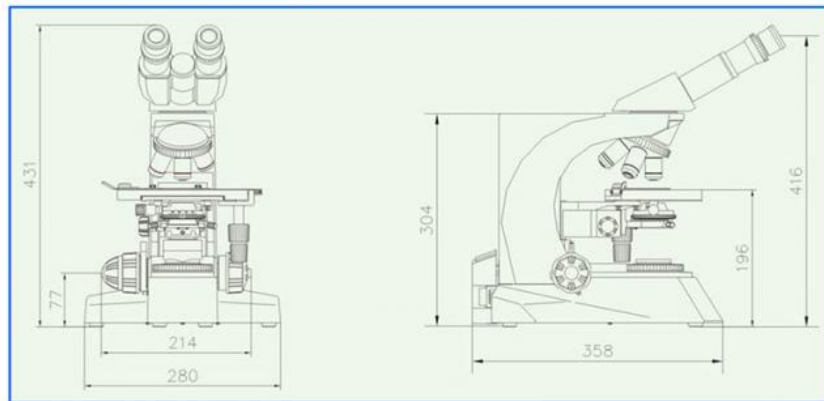


Polarization Attachment



Turret Phase Condenser Set

System Size(mm)



Opto-Edu (Beijing) Co., Ltd.

☎ 0086 13911110627

✉ sale@optoedu.com

🌐 cnoec.com

F-1501 Wanda Plaza, No. 18 Shijingshan Road, Beijing 100043, China