



## One Head 0-200° Cnoec Dental Operating Microscope Manual Zoom 2.7x-23x A41.1905

Our Product Introduction

### Basic Information

- Place of Origin: China
- Brand Name: CNOEC, OPTO-EDU
- Certification: CE,
- Model Number: A41.1905
- Minimum Order Quantity: 1 pc
- Price: FOB \$1~1000, Depend on Order Quantity
- Packaging Details: Carton Packing, For Export Transportation
- Delivery Time: 5~20 Days
- Payment Terms: T/T, West Union, Paypal
- Supply Ability: 5000 pcs/ Month



### Product Specification

- Magnification: 12.5x
- Binocular Tube: High Brightness 0~200 Binocular Tube
- X-Y Movement Device: X Direction Swing 45°, Y Direction Swing 45°
- Coaxial Illumination: LED Cold Light
- Objectives: 180mm -300mm Zoom Lens
- Maximum Length Of Arm: 1100mm
- New Stand: Swing Angle Of The Carrier Arm 0300
- Weight: 107Kg
- Highlight: **cnoec dental operating microscope,  
23x dental operating microscope,  
2.7x dental microscopes**



for more products please visit us on [cnoec.com](http://cnoec.com)

## Product Description

### Operating Microscope, One Head 0-200°, Manual Zoom, 2.7x-23x, For Denta

1 People 1 Binocular Head, Titable 0-200°, Interpupillary 53-76mm, Diopter +/-6D  
Manual Continuous Zoom 1:6, Total Manification 2.3x~27x, Zoom Objective F=180-300mm

LED High Brightness Light Source, Max 80000Lux, Light Spot Dia.80mm

Built-in Digital Camera, Control Handle To Take Picture/Video

One Hand Control Stop Freely With 120° Balance Arm, Four Feets Stand Max Extend Range 1250mm

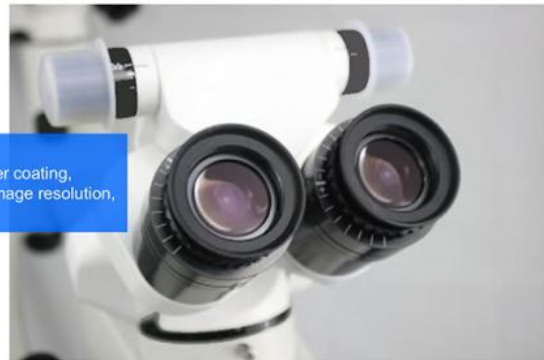
## A41.1905

### Operating Microscope, One Head 0-200° , Manual Zoom, 2.7x-23x, For Dental



### A41.1905 Details

**Multi Coating Lens**  
Military quality optical lens, multilayer coating,  
apochromatic design, high-quality image resolution,  
contrast and depth of field

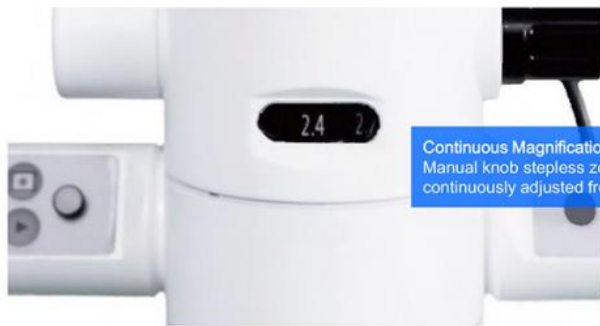




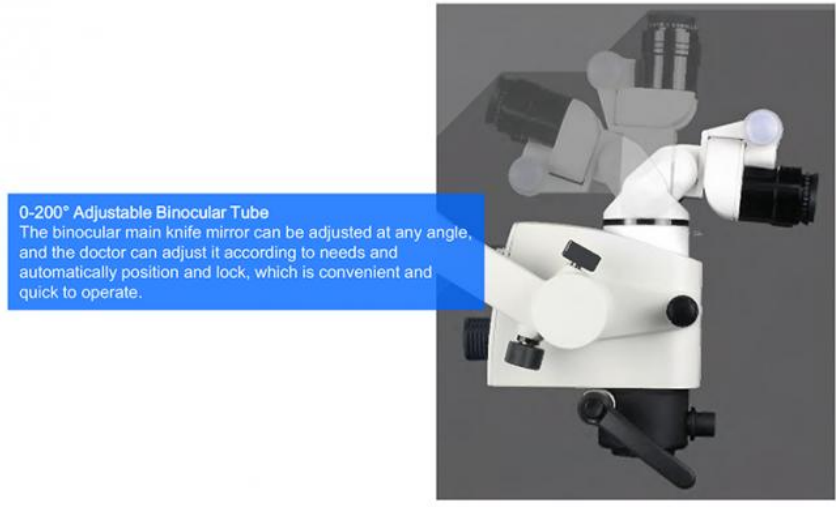
**180-300mm Zoom Lens**  
 The 120mm focusing range can reach the depth of the entire oral cavity. It can focus quickly without adjusting the entire head, which is easy to use



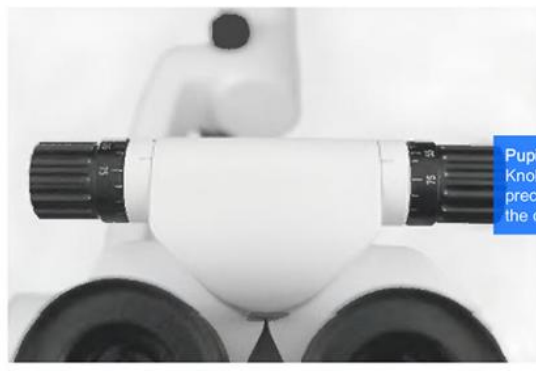
**Wide Field Eyepieces**  
 The eyepiece has two functions of eyecup adjustment and moderate adjustment to meet the needs of doctors wearing glasses, 10x/12.5x optional



**Continuous Magnification**  
 Manual knob stepless zoom, the magnification can be continuously adjusted from 2.3 times to 27 times



**0-200° Adjustable Binocular Tube**  
 The binocular main knife mirror can be adjusted at any angle, and the doctor can adjust it according to needs and automatically position and lock, which is convenient and quick to operate.



**Pupil Adjustment**  
 Knob interpupillary distance adjustment, precise scale mark, can quickly adjust to the doctor's interpupillary distance



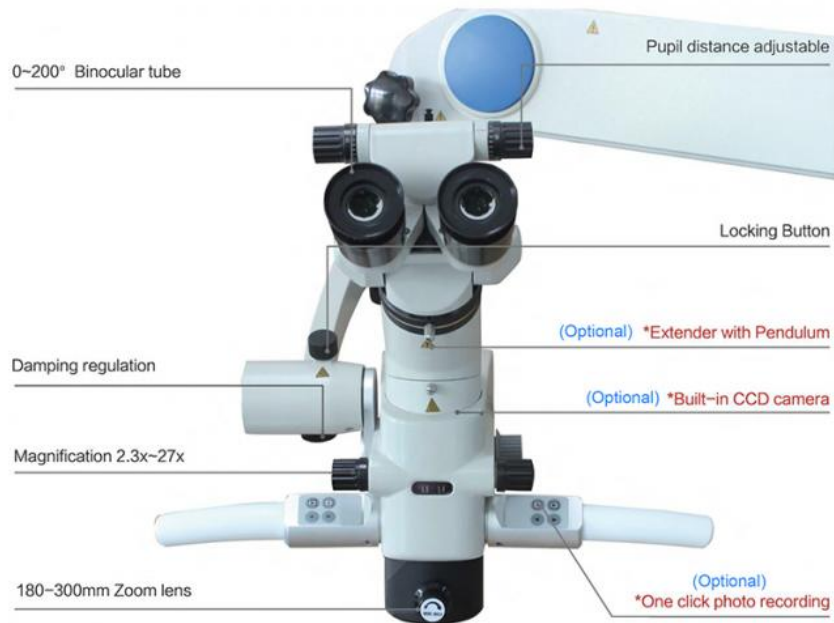


**Adjusting Balance Arm**  
 Knob type adjustment balance arm, equipped with damping adjustment and locking knob, easy and convenient adjustment of head position

**Drawtube Tilting**  
 Under the condition that the eyepieces are at the same level, the doctor's sitting posture remains the same, and the main lens barrel can swing left and right to observe different positions



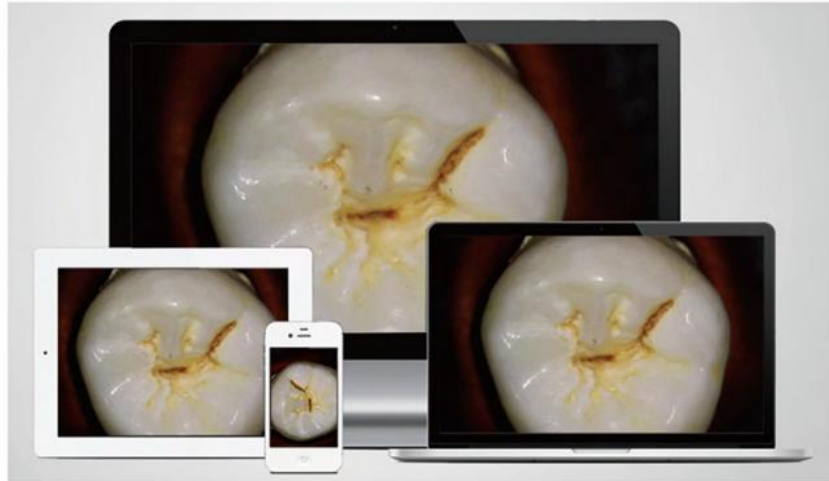
**360° Revolving Handle**  
 The handle can be rotated 360° to fully meet each use action



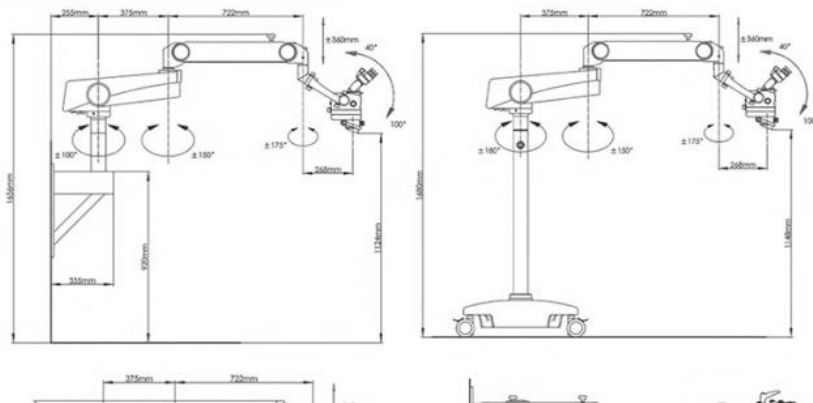


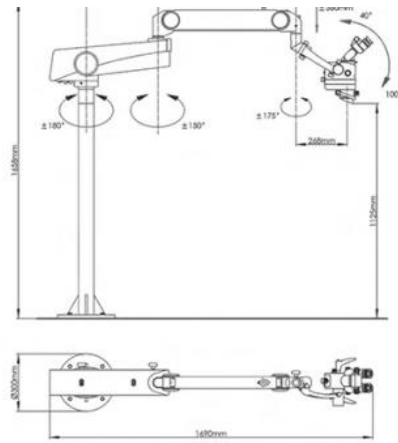
## Microscope Imaging Solutions

Connect digital camera/CCD camera/camcorder or mobile phone through the corresponding adapter interface to provide video recording, photographing, and telemedicine for scientific research and teaching



## Suspension Options

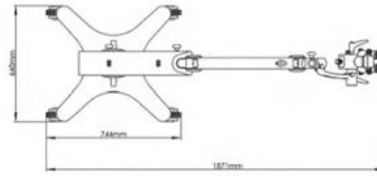




**Ground Fixed**

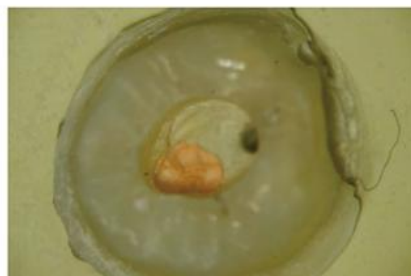


**Wall-mounted**

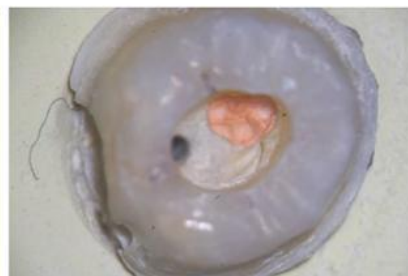


**Removable Base**

Accessories	
Auxiliary Lens F=200/300/350/400/450	A52.1941
Zoom Lens F=180-300mm	A52.1942
Zoom Lens F=200-500mm	A52.1942
Wedge Light Splitter, 1 Port	A55.1941
Light Splitter, 2 Ports	A55.1942
SLR Camera Adapter	A55.1943
Mobile Phone Adapter & Holder	A55.1944
C-Mount For Digital Camera	A55.1945



**Halogen Light Source**

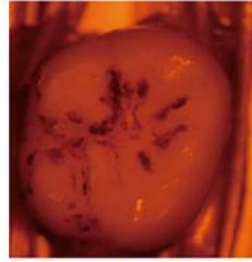


**LED Light Source**

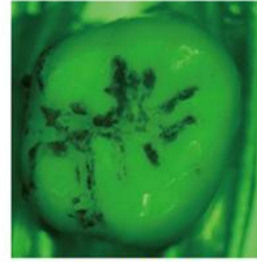
Using American ultra-long-life medical LED white light source, color temperature 5500K, high color rendering index, high brightness, strong reduction, long-term use without fatigue, and more suitable for dental surgery needs compared with traditional halogen lamps. LED energy consumption is low, the service life can be as long as 100,000 hours



Normal Light Spot



Yellow Light Spot



Green Light Spot

Built-in yellow and green color filters, normal, yellow, and green color filters can be adjusted through the built-in dial button. The yellow spot can prevent the resin material from curing too fast, and the green spot can more clearly see the blood vessels in the blood environment

A41.1905 Operating Microscope, One Head 0-200°, Manual Zoom, 2.7x-23x, For Dental	
Eyepieces	Magnification 12.5x, Pupil Distance Adjustable Range 53mm~76mm, Diopter Adjustment Range +6D ~ -6D
Binocular Tube	High Brightness 0~200 Binocular Tube
Magnification	1:6 Manual Continuous Zoom, Magnification 2.3~27x; Field Of View $\Phi$ 89.6 $\Phi$ 8mm
X-Y Movement Device	X Direction Swing 45°, Y Direction Swing 45°
Coaxial Illumination	LED Cold Light, Illumination Diameter Of Light Spot $\Phi$ 80mm, Illumination Intensity 80000lux Build-in Small-spot, Both Blue And Yellow Light Filter
Objectives	180mm -300mm Zoom Lens(Optional F=175mm,200mm350mm,400mm etc )
Maximum Length Of Arm	1100mm
New Stand	Swing Angle Of The Carrier Arm 0-300°, Height From Objective To Floor 730mm
Weight	107Kg



Opto-Edu (Beijing) Co., Ltd.

☎ 0086 13911110627

✉ sale@optoedu.com

🌐 cnoec.com

F-1501 Wanda Plaza, No. 18 Shijingshan Road, Beijing 100043, China