



100X - 400X Inverted Phase Contrast Microscopy Trinocular A19.0205

Our Product Introduction

for more products please visit us on cnoec.com

Basic Information

- Place of Origin: China
- Brand Name: CNOEC, OPTO-EDU
- Certification: CE, Rohs
- Model Number: A19.0205
- Minimum Order Quantity: 1 pc
- Price: FOB \$1~1000, Depend on Order Quantity
- Packaging Details: Carton Packing, For Export Transportation
- Delivery Time: 5~20 Days
- Payment Terms: T/T, West Union, Paypal
- Supply Ability: 5000 pcs/ Month

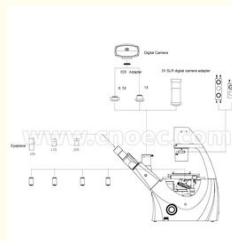
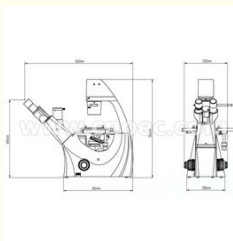


Product Specification

- Applications: Laboratory
- Certification: CE|Rohs
- Drawtube: Trinocular
- Illumination: Halogen Lamp
- Max Magnification: 100X - 400X
- Theory: Phase Contrast Microscope
- Highlight: **phase contrast light microscope, inverted phase contrast microscope**



More Images



Product Description

100X - 400X Inverted Phase Contrast Microscopy Trinocular A19.0205

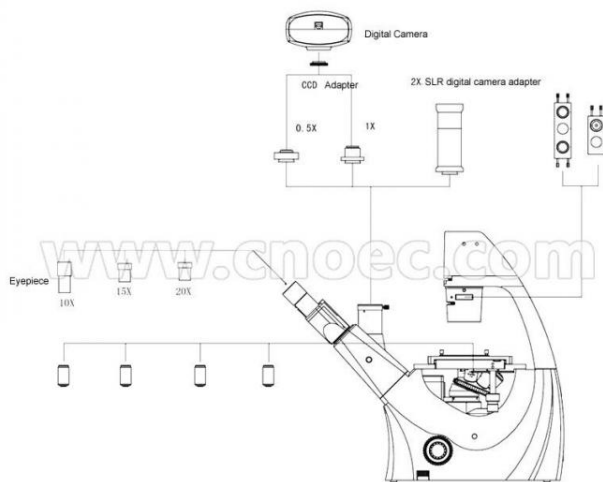
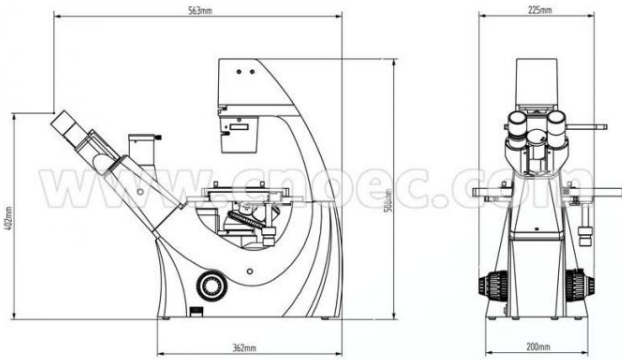
Specifications:

A19.0205 Inverted Phase Contrast Microscope			
Specifications	A19.0205	A19.0205-HMC	A19.0205-DIC
Head	Trinocular head, inclination of 45 degree, two light ratio:80:20/100:0, interpupillary 47-75mm		

Our Product

Total Magnification	100x-400x		
Eyepiece	Plan wide field eyepiece WF10x/22		
	10x/0.25, W.D.19.4mm (BF)	DIC objective 10x/0.25	
	20x/0.40, W.D.8.0mm (BF)	DIC objective 20x/0.30	
	40x/0.40, W.D.3.5mm (BF)		
Infinity Long Working Distance Plan Achromatic Objective	Positive phase contrast objective 10x/0.25	Hoffman objective 40x/0.6	Positive phase contrast objective 10x/0.25
	Backward quintuple nosepiece		
	Coaxial coarse/fine system focus, Minimum division of fine focusing: 2um With tensional adjustable, focusing range: 8mm		
Stage	Mechanical stage, size 300x170mm, moving range 132.5x75mm.		
	Available petri dish size:	Circle: Dia28mm-100mm, thickness less ≤ 1.2mm	Square: Width ≤100mm, length≤130mm, thickness less ≤ 1.2mm
Condenser	Long distance working condenser, working distance 70mm		
Filter	Blue filter, yellow filter, green filter, gross filter		
Phase Contrast Attachment	Flashboard phase contrast condenser, center of phase contract ring adjustable		
	Flashboard Hoffman phase contrast condenser, slits adjustable		
	Flashboard DIC phase contrast condenser, interence color uniformity adjustable		
Light source	6V30W halogen light, brightness adjustable		







Opto-Edu (Beijing) Co., Ltd.

☎ 0086 13911110627

✉ sale@optoedu.com

🌐 cnoec.com

F-1501 Wanda Plaza, No. 18 Shijingshan Road, Beijing 100043, China