



## OPTO-EDU A13.2604-B Metallurgical Optical Microscope Trinocular High Precision

Our Product Introduction

### Basic Information

- Place of Origin: China
- Brand Name: CNOEC, OPTO-EDU
- Certification: CE, Rohs
- Model Number: A13.2604
- Minimum Order Quantity: 1 pc
- Price: FOB \$1~1000, Depend on Order Quantity
- Packaging Details: Carton Packing, For Export Transportation
- Delivery Time: 5~20 Days
- Payment Terms: T/T, West Union, Paypal
- Supply Ability: 5000 pcs/ Month



### Product Specification

- Application: Research|Learning|Metallurgical
- Drawtube: Trinocular
- Certification: CE|Rohs
- Illumination: Halogen Lamp
- Magnification: 50x - 1000x
- Theory: Metallurgical Optical Microscope
- Highlight: **usb digital microscope, infinity plan microscope**



### More Images



for more products please visit us on [cnoec.com](http://cnoec.com)

## Product Description

Learning Infinity Plan Microscope Trinocular Compound Microscopes Rohs A13.2604  
Description:

- A13.2604 Metallurgical Microscope
- Infinity optical system for metallurgical observing
- Stress Free Long working distance objective
- Reflecting & transmitting light source available
- Polarizing Set Included
- Kohler illumination collector with field diaphragm



OPTO-EDU (BEIJING) CO., LTD.

F-1501 Wanda Plaza, No.18 Shijingshan Road, Beijing 100043, China  
Tel:+8610 88696020 Fax:+8610 88696085

## A13.2604

### Metallurgical Microscope, Reflect/Transmit, BF/DF



## A13.2604 Series Metallurgical Microscope

### A13.2604-A Reflect



### A13.2604-AD Reflect, BF/DF

#### Working Stage

Double Layer Mechanical Size  $200 \times 150\text{mm}$ ,  
Travel Range  $77 \times 52\text{mm}$ , Stage Quick Drop-Down  
Device For Extra  $50\text{mm}$  Up/Down Range



### A13.2604-B Reflect & Transmit



### A13.2604-BD Reflect & Transmit, BF/DF

#### Working Stage

Double Layer Mechanical Size  $182 \times 140\text{mm}$ ,  
Travel Range  $77 \times 52\text{mm}$

#### Condenser

Abbe N.A.1.25 , With Iris Diaphragm

#### Transmit Light

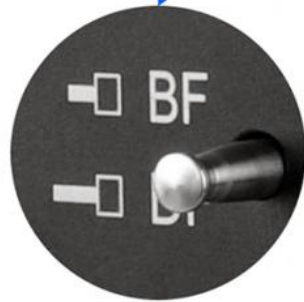
5W LED, Koehler Illumination, Field Diaphragm  
Analyzer + Polarizer For Transmit Light



A13.2604 Upgrade To BF/DF in 2021!



A13.2604-AD  
A13.2604-BD



Now you can watch the material under Bright Field & Dark Field way in one microscope!



**Super Wide Field SWF10x/22mm  
Eyepiece Dia.30mm Diopter Adjustable**

**Super Wide Field Eyepiece**

SWF10x/22mm, Eyepiece Dia.30mm Diopter Adjustable



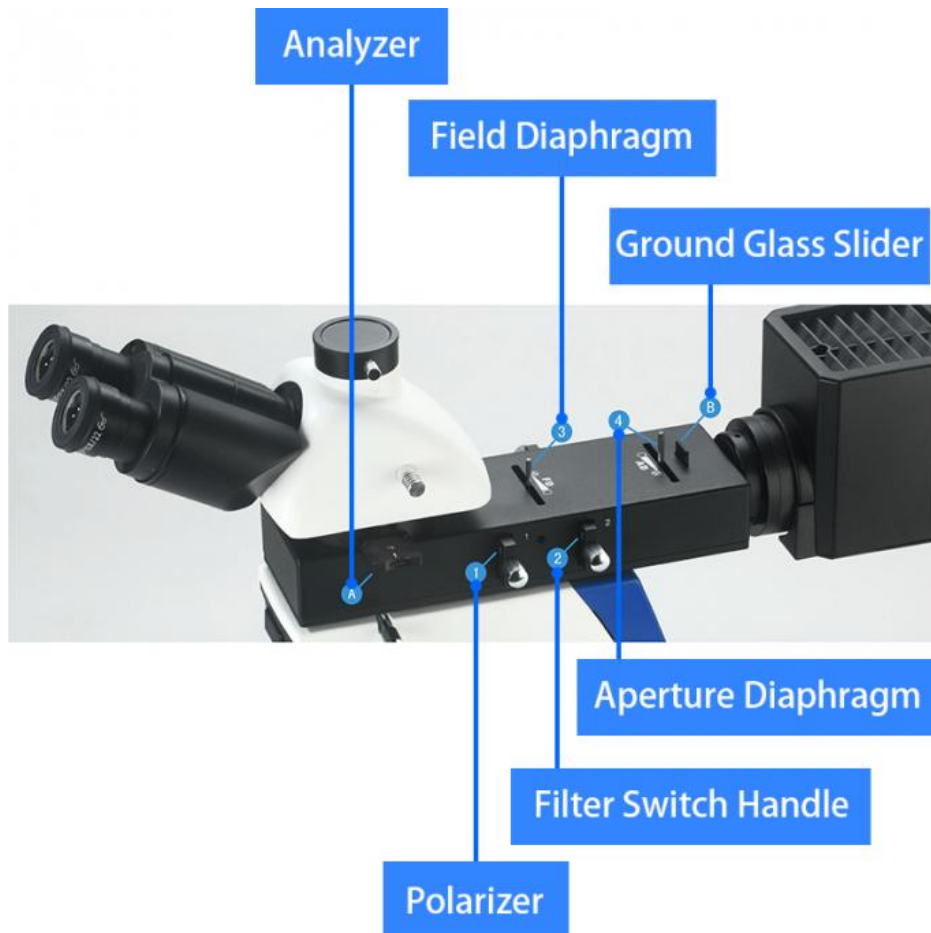
**Large Size Head With Eyepiece Tube And Eyepiece Dia.30mm**

**The Eyepiece Tube Has Fix Screw**

To Prevent Eyepiece Falling Damage During Move



**Trinocular Head Light Split Optional Between Switch E100:P0/E0:P100 And Fixed E80:P20**  
 In Fixed Light Split, Eyepiece 80% : Photo 20% User Can View Image At Same Time In Both Path  
 In Switch Light Split, Eyepiece 100%:Photo 0% / Eyepiece 0%:Photo 100%, Camera Can Have 100% Light For Photo Capture.





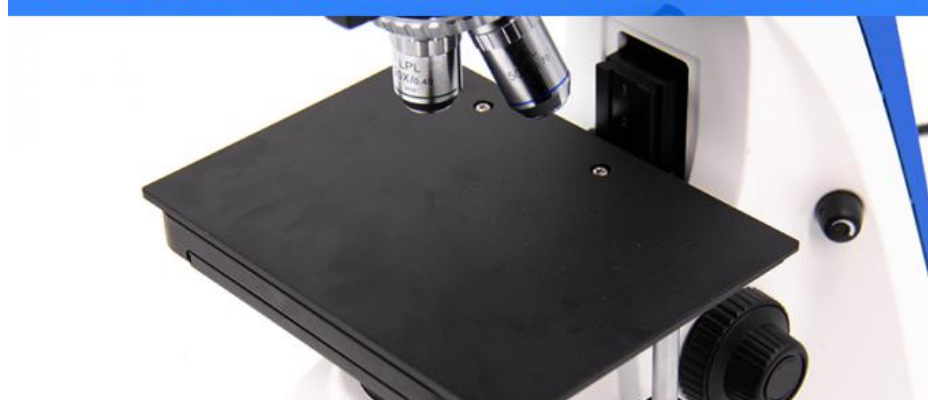
## Metallurgical LWD Infinity Plan Objectives

### Nosepiece

Quintuple, Backward, Metallurgical LWD Infinity Plan Objectives: 5x, 10x, 20x, 50x; Optional 80x, 100x



Double Layer Mechanical Size 182×140mm For A13.2604-B



Double Layer Mechanical Size 200×150mm For A13.2604-A



Abbe N.A.1.25 , With Iris Diaphragm

**Condenser For A13.2604-B**

Abbe N.A.1.25 , With Iris Diaphragm



Powered By Safety Low Voltage Charger, Input Wide Voltage 100V-240V, Output 5V1A, Support Power Bank Supply For Outdoor Use

**5W LED Light Source, Powered By Safety Low Voltage Charger**

Input Wide Voltage 100V-240V, Output 5V1A, Support Power Bank Supply For Outdoor Use



## Product Accessories



**A55.2610**  
Digital Eyepiece  
Camera Adapter



**A55.2601-05**  
C-Mount 0.5x,  
Focus Adjustable



**A55.2601-75**  
C-Mount 0.75x,  
Focus Adjustable



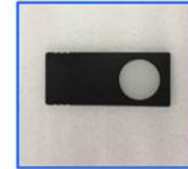
**A55.2601-10**  
C-Mount 1.0x,  
Focus Adjustable



**A5P.2603-BKR**  
Analyzer + Polarizer  
For Reflect Light



**A56.2620-B**  
Blue Filter Switch Handle

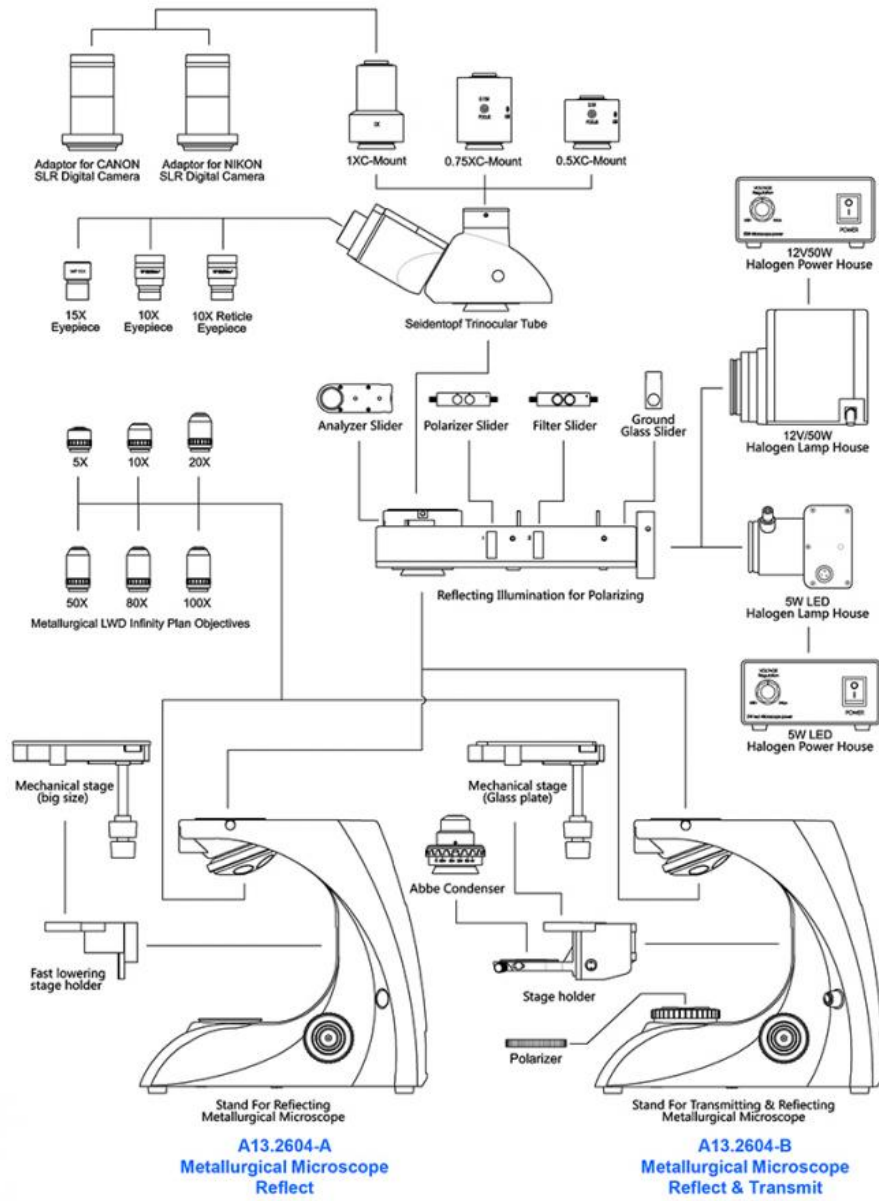


**A56.2620-F**  
Ground Glass Slider

Items	A13.2604-B Metallurgical Microscope, Reflect & Transmit	-A	-B	Cata. No.
Head	Seidentopf Trinocular Head Inclined 30°, Rotatable 360°, Interpupillary Distance 48-76mm, Light Split Switch E100:P0/E20:P80, Eyepiece Tube Dia.30mm	●	●	A53.2623-T
Eyepiece	WF10x/22mm, Dia.30mm, High Eyepoint, Diopter Adjustable	●	●	A51.2621-1022
	WF10x/22mm, Dia.30mm, With Micrometer X-0.1mm*180 Div / Y-Single Line, Diopter Adjustable	●	●	A51.2622-1022
Nosepiece	Quintuple, Backward	●●	●●	A54.2610-N01
Metallurgical LWD Infinity Plan Objectives	LPL 5x/0.13, W.D.=16.04mm	●	●	A5M.2633-5
	LPL10x/0.25, W.D.=18.48mm	●	●	A5M.263310
	LPL 20x/0.40, W.D.=8.35mm	●	●	A5M.2633-20
	LPL 50x/0.70, W.D.=1.95mm	●	●	A5M.2633-50
	LPL 80x/0.80, W.D.=0.85mm	○	○	A5M.2633-80
	LPL 100x/0.90(Dry), W.D.=1.00mm	○	○	A5M.2633-100
Working Stage	Double Layer Mechanical Size 200×150mm, Travel Range 77×52mm, Stage Quick Drop-Down Device For Extra 50mm Up/Down Range	●		A54.2601-S01T
	Double Layer Mechanical Size 182×140mm, Travel Range 77×52mm		●	A54.2601-S01T3
Condenser	Abbe N.A.1.25 , With Iris Diaphragm		●	A56.2614-C01d
Focusing	Coaxial Coarse And Fine Focusing Knobs, Travel Range: 25mm, Scale: 2μm	●	●	
Illumination	<b>Reflect Light 5W LED</b> Koehler Illumination, Field Diaphragm Powered By Safety Low Voltage Charger, Input Wide Voltage 100V-240V, Output 5V1A, Support Power Bank Supply For Outdoor Use	●	●	A56.2612-5W
	<b>Reflect Light 12V50W Halogen</b> Koehler Illumination, Field Diaphragm, Wide Voltage 100V~240V	○	○	A56.2613-12V50W
	<b>Transmit Light 5W LED</b> Koehler Illumination, Field Diaphragm Powered By Safety Low Voltage Charger, Input Wide Voltage 100V-240V, Output 5V1A, Support Power Bank Supply For Outdoor Use	-	●	A56.2612-5W
	<b>Transmit Light 6V30W Halogen</b> Koehler Illumination, Field Diaphragm, Wide Voltage 100V~240V	-	○	A56.2613-6V30W
Polarizing	Analyzer + Polarizer For Reflect Light	●	●	A5P.2603-BKR
	Analyzer + Polarizer For Transmit Light	-	●	A5P.2603-BKT
Filter	Ground Glass Slider	○	○	A56.2620-F
	Blue Filter Switch Handle	○	○	A56.2620-B
Adapter	C-Mount 0.5x, Focus Adjustable	○	○	A55.2601-05
	C-Mount 0.75x, Focus Adjustable	○	○	A55.2601-75
	C-Mount 1.0x, Focus Adjustable	○	○	A55.2601-10
	Digital Eyepiece Camera Adapter, Dia. 23.2mm/25mm	○	○	A55.2610
Package	Carton Size 570*275*450mm, 1 Unit/Ctn			
Weight	Gross Weight 10.5kgs, Net Weight 8.0kgs			

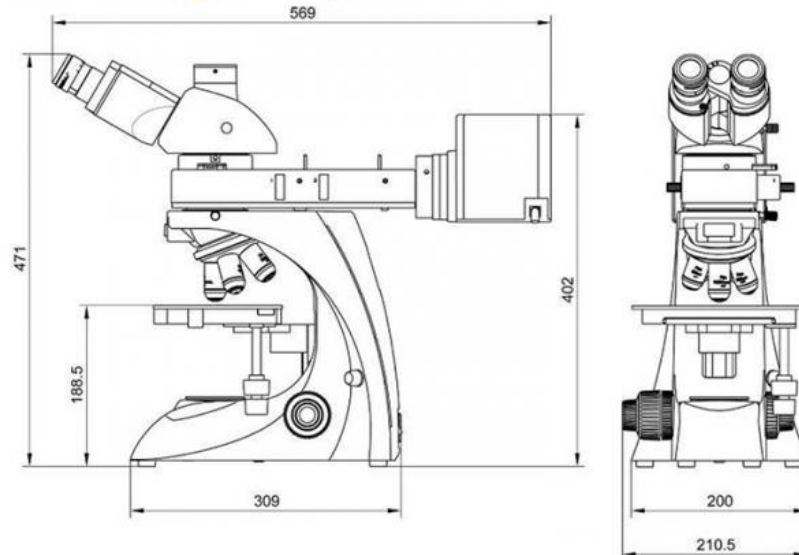
Note: "●" In Table Is Standard outfits, "○" Is Optional Accessories.

## General Layout Diagram

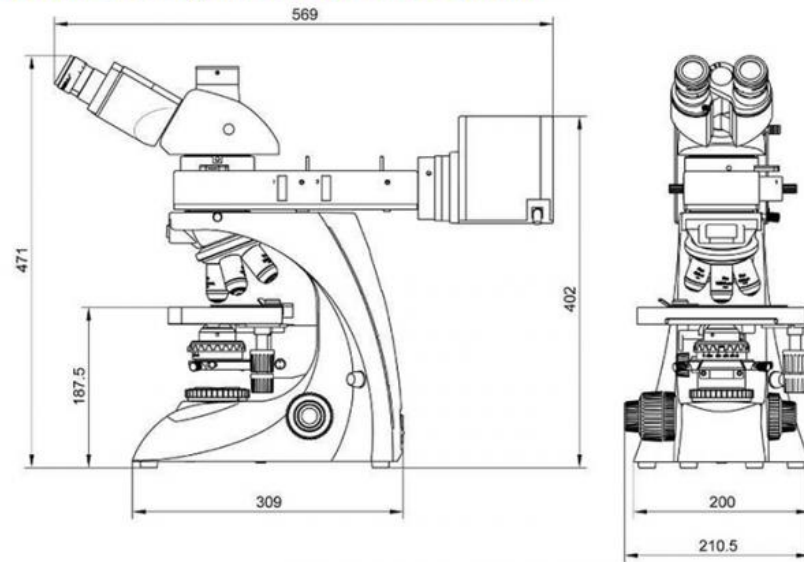


## Product Size(mm)

### A13.2604-A Metallurgical Microscope Reflect



**A13.2604-B Metallurgical Microscope Reflect & Transmit**



**Opto-Edu (Beijing) Co., Ltd.**

☎ 0086 13911110627

✉ [sale@optoedu.com](mailto:sale@optoedu.com)

🌐 [cnoec.com](http://cnoec.com)

F-1501 Wanda Plaza, No. 18 Shijingshan Road, Beijing 100043, China