



## OPTO EDU A16.1062 Infinity Binocular Trinocular Led Fluorescent Microscope BG

Our Product Introduction

for more products please visit us on [cnoec.com](http://cnoec.com)

### Basic Information

- Place of Origin: China
- Brand Name: CNOEC, OPTO-EDU
- Certification: CE, Rohs
- Model Number: A16.1062
- Minimum Order Quantity: 1 pc
- Price: FOB \$1~1000, Depend on Order Quantity
- Packaging Details: Carton Packing, For Export Transportation
- Delivery Time: 5~20 Days
- Payment Terms: T/T, West Union, Paypal
- Supply Ability: 5000 pcs/ Month



### Product Specification

- Eyepiece: EW10x/22mm, Diopter Adjustable, Dia.30mm
- Nosepiece: Coded Quintuple Nosepiece, Dovetail Interface
- Objective: NIS60 Infinity Plan Objective
- Focusing: Coaxial Coarse & Fine Adjustment, Tension Adjustable
- Working Stage: Double Layer Mechanical Rackless Stage, Size 230x150mm
- Condenser: Inserted Abbe Condenser N.A. 1.25
- Highlight: **usb digital microscope, infinity plan microscope**



### More Images

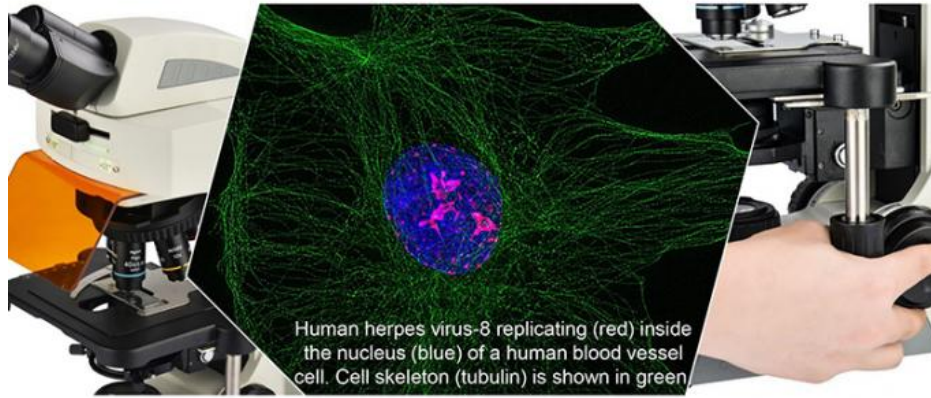


## Product Description

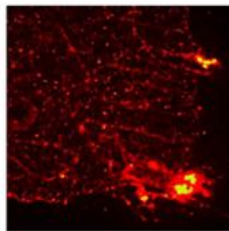
Brand New Design 2019 For High Level Laboratory Research!  
Coding Quintuple Nosepiece LCD Screen Base With Brightness Memory Function  
Large Rackless Safty Working Stage 230x150mm, Moving Range 78x54mm  
Infinity Plan NIS60 Objective 4x10x40x100x, Water 100x Immersion Available  
3W LED Epi-Fluorescence Attachment, Fly-Eye Lens Illumination, B,G Filters

OPTO-EDU (BEIJING) CO., LTD.

OPTO-EDU

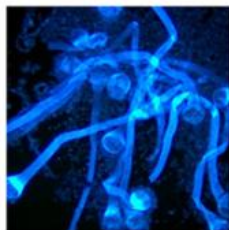
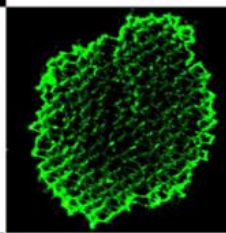


### A16.1062 LED Fluorescent Microscope

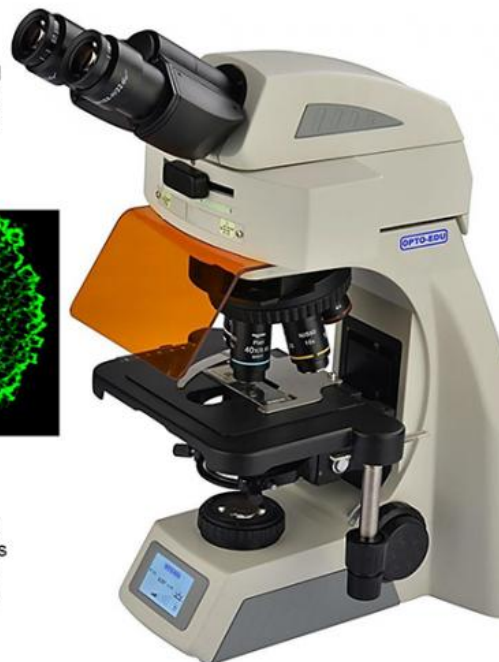


Professional  
Fluorescent  
Microscope

Creative LCD  
Screen With  
Coded Nosepiece  
& ECO Function



LED Epi -  
Fluorescent  
Illumination Is  
Safety And  
Convenient





## Excellent Optical Design

### NIS Infinity Optical System

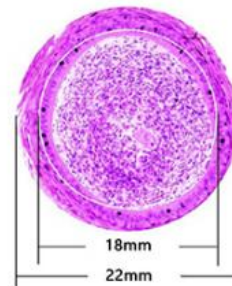
NIS Infinity Plan Objectives Can Provide High Contrast And Very Flat Image Up To F# 22. With F# 22 Wide Field Eyepieces, The System Always Brings You Sharp, Excellent Resolution And High Signal To Noise Ratio Imaging.

### Large Wide Field Of View 22mm

The A16.1062 Microscope Achieves The Wide Field Of 22mm View With 10x Eyepieces For A More Comprehensive Observation Content And Faster Sample Observation. The Eyepiece Adopts A Flat Field Distortion-free Design To Prevent The Edge Of The Field From Being Imaginary And Stray Light.

### Various Observation Methods

With The Deepening Of Research In Various Fields, A Single Observation Mode Can No Longer Meet The Daily Scientific Research Work. As A Continually Upgradable Microscope, A16.1062 Can Be Extended On Basic Models To Show A Variety Of Observation Capabilities.



Water Is Used Instead Of Cedar Oil For 100x Water-immersion Objective. Excellent Image, Easy To Operate And Better For Environment.

Observation Methods	Bright Field	Dark Field	Phase Contrast	Fluorescent	Simple Polarizing
	•	•	•	•	•

### Multifunctional Universal Condenser

A16.1062 Offers Universal Condensers For Bright Field, Dark Field And Phase Contrast. The Observation Methods Could Be Quickly Switched By Switching The Slider. The Phase Contrast And Bright Field Slider Is Universal For 4x- 100x Objectives Also, Simple And Fast To Use. The N.A. Value Index On The Aperture Diaphragm Of The Condenser Is Easily Set To Get Exact Size Of Diaphragm To Correspond With The Different Objectives.



### LED EPI-Fluorescent Illumination

Fluorescent Microscope A16.1062. LED Epi - Fluorescent Illumination Is Safety And Convenient. You Don't Need Time To Warm Up Or Cool Down. You Don't Need To Align The Bulb, And The Long Lifetime Of Led Bulb Is Up To 5000 Hours. There Are Two Filters Position Available And Switching Is Fast And Easy.



## Infinity Optical System

A16.1062 Is Suitable For All Kinds Of Microscopic Using , Especially For Beginners And The Users With Long Time Micro-operation. The A16.1062 Series Of Microscopes Are Fully Optimized For The Needs Of Such Users. In Terms Of The Objectives, The Image Quality And Ease Of Use Are Achieved.



### Plan Objective

By Using Infinity Plan Objectives, Flat Image With Higher Imaging Reduction Degree Over The Entire Field Of View Could Be Achieved.

### 100x Water-immersion Objective

Ordinary 100x Oil-immersion Objective Needs To Use Cedar Oil As The Observation Medium. After Use, It Needs To Be Cleaned With Ether Alcohol Or Xylene, Which Is Easy To Cause Air Pollution And Improper Cleaning. The Water - Immersion Objective Uses Water As A Medium To Solve The Above Problems Perfectly, Reducing The Damage To The Body And Environmental Pollution.



### 40x LWD Objective

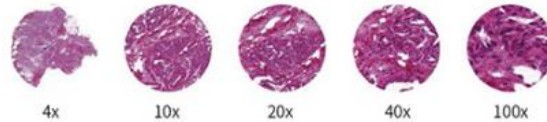
The Working Distance Of 40x Objective Can Be Up To 1.5mm, Avoiding The Erosion From Residual Immersion Oil And Water When Converted From 100x To 40x Objective.

## Intelligent Operating System



### Coded Nosepiece

It Can Memorize The Illumination Brightness When Using Each Objective. When Different Objectives Are Converted To Each Other, The Light Intensity Is Automatically Adjusted To Reduce Visual Fatigue And Improve Work Efficiency.



### Use A Dimming Knob To Achieve Multiple Functions

One Click: Enter Standby Status; Press + Up-spin: Switch To The Upper Light Source; Double Clicks: Light Lock Or Unlock; Rotation: Adjust Brightness; Press + Down-spin: Switch To The Under Light Source Press 3 Seconds: Set The Time Of Turning Off The Light After Leaving

### The Display Of Microscope Use State

The LCD Screen On The Front Of The Microscope Can Display The Using Status Of The Microscope, Including Magnification, Light Intensity, Sleepy Model, And So On.



A12.1061, A12.1602 Laboratory Microscope A16.1062 LED Fluorescent Microscope		A12.1061		A12.1062		A16.1062		Cata. No.
		-B	-T	-B	-T	-B	-T	
Optical System	NIS Infinite Optical System	●	●	●	●	●	●	
Observation Method	Bright Field	●	●	●	●	●	●	
	Dark Field	○	○	○	○	○	○	
	Polarizing	○	○	○	○	○	○	
	Phase Contrast	-	-	○	○	○	○	
	Epi-Fluorescence	-	-	○	○	●	●	
	Seidentopf Binocular Head, Inclined At 30° , Interpupillary Distance 47-78mm, Eyepiece Tube Dia.30mm	●		●		●		A53.1061-B



	USB Charging Port, Support To Use Exeternal Rechargeable Battery Power Bank Like Mobile Phone Out Door Freely	•	•	•	•	•	•	
LCD Screen	LCD Screen On Front Of Body, Display Using State Of Microscope, Including Magnification, Light Intensity, Standby Status, Set Power Off Timer 5 Mins to 8 Hours, And So On.	-	-	•	•	•	•	
Dimensions	220(W)x290(D)x472(H) mm	•	•	•	•	•	•	

Note: "•" In Table Is Standard Outfits, "◻" Is Optional Accessories "-" Is Unavailable

## This Is An Unbounded Microscope

A12.1061 Has The Multifunctional Digital Head, The User Does Not Have To Be Confined In Front Of The Microscope. Instead, It Can Be Used For Mobile Microscope Teaching And Outdoor Field Observation Through Mobile Terminals And External Mobile Power. The Objective, Eyepiece, And Observation Tube Are Effectively Anti-mold Treated, So You Can Ensure A Consistently Clear Image And Extend The Life Of The Microscope, Even When Working In Hot And Humid Environments.



### A31.1062 Digital Microscope, WIFI & USB

Built-in Camera 5.0M, USB 2.0 or WIFI Output, Supporting Android, IOS, Windows Operating System, Wired And Wifi Modes The Image Under The Microscope Can Be Output To The External Device In Real Time, And There Is No Data Line Connection, And The Operator Can Move More Freely.

### Professional Microscopic Imaging Software

Microscopic Imaging Observation, Analysis And Processing Can Be Performed On External Devices, Including Photographing, Measurement, Image Adjustment, Storage, Synthesis, Etc.



### Mobile Devices Perform Image Browsing And Processing By Scanning Code

A31.1062-5.0W WIFI Digital Microscope, By Scanning The Qr Code On The Microscope, Installing The App And Identifying The Microscope, You Can View The Microscopic Image On Your Phone And Tablet.



### External Rechargeable Battery

A USB Charging Port Is Reserved On The Body, Which Can Be Used As A Microscope Power Source. This Microscope Can Also Be Used Outside And During Power Outages To Get Rid Of The Microscope's Dependence On The Power Outlet.

## Easier To Store, Transport And Accept

The Microscope Is Compact And Can Be Placed In An Ordinary Classroom Closet. It Has A Special Carrying Handle, And Is Also Lightweight And Stable. The Microscope Back Plate Is Designed With A Hub Device To Effectively Store The Long Power Cord, Improve The Cleanliness Of The Laboratory, And Reduce The Tripping Accident Caused By The Long Power Cord During The Carrying Process. The Wooden Storage Box Is An Optional Accessory That Is Very Convenient For Storage And Carrying.

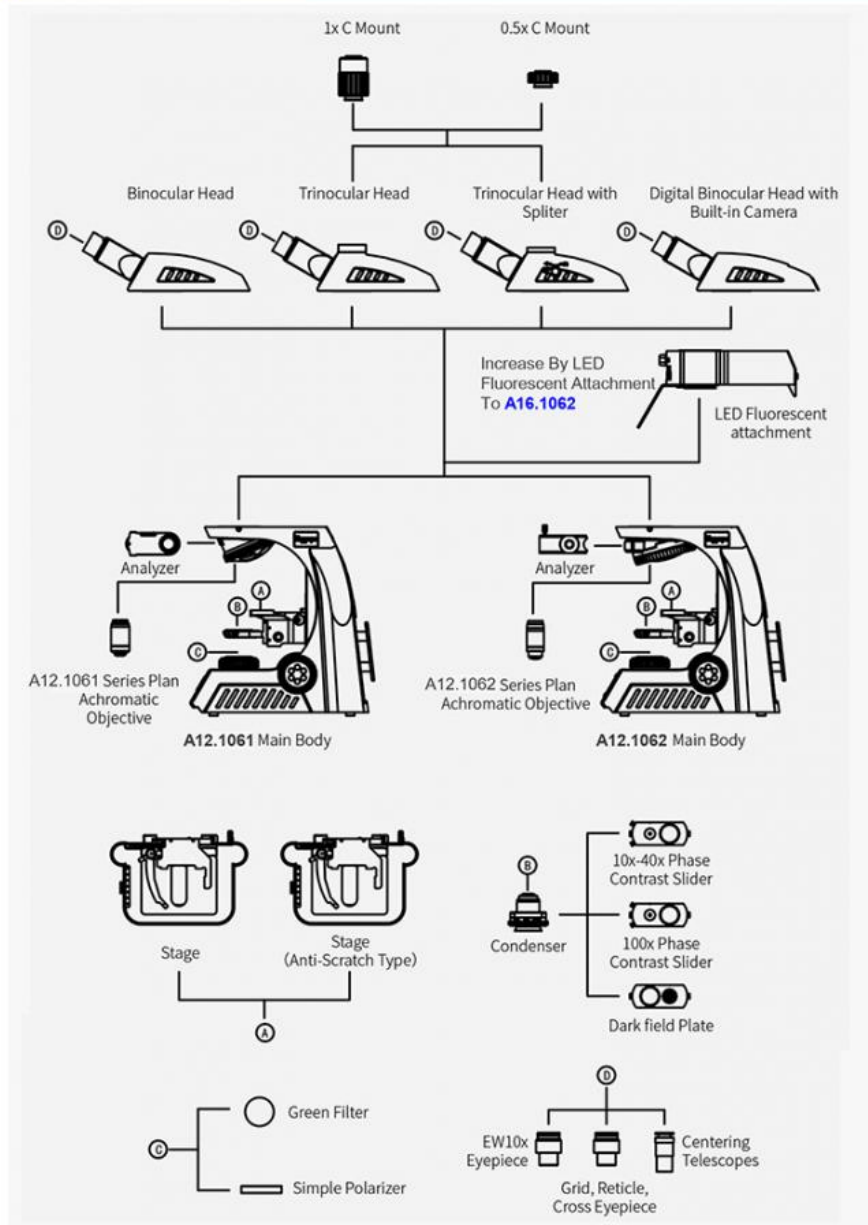


## Ergonomic Design

In Daily Scientific Research Teaching And Pathological Diagnosis, Working In Front Of The Microscope For A Long Time Has Become The Norm, And The Consequent Use Fatigue Often Leads To Physical Discomfort, Thereby Reducing Work Efficiency And Effectiveness. This A16.1062 Microscope Uses An Ergonomic Design, High Eye-point, Low-hand Focus Mechanism, Low-hand Stage And Other Ergonomic Designs To Ensure The User Can Perform Microscope Operation In The Most Comfortable Situation. . The Focus Knob, Illumination Control Knob And Stage Handle Are All In Close Proximity. The User Can Put Both Hands On The Table While Working, And Can Operate A16.1062 With Minimal Movement.

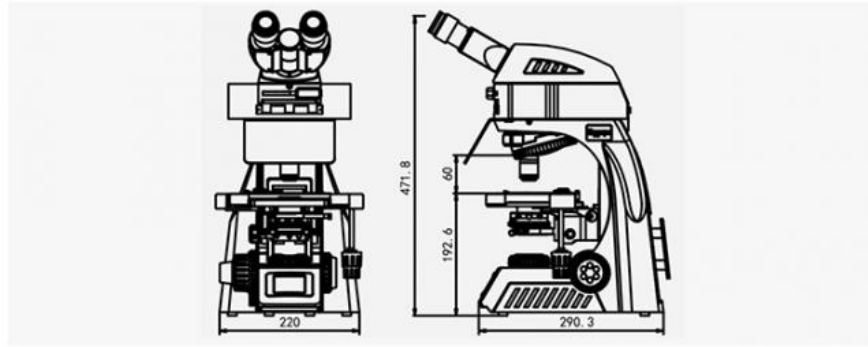


# System Diagram

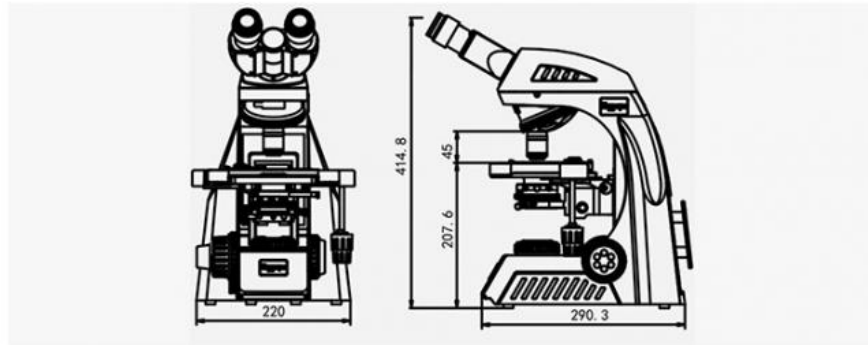




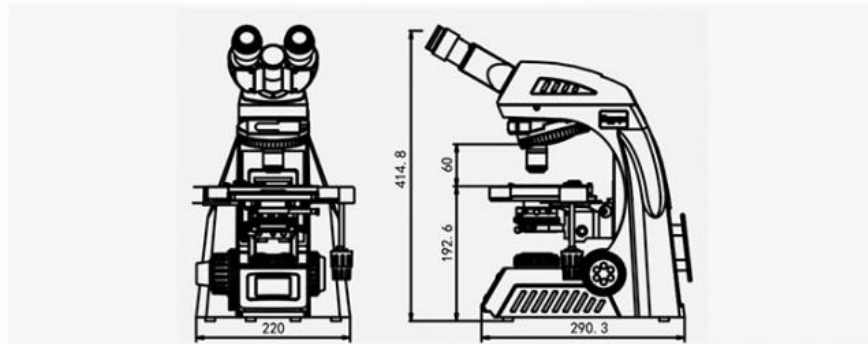
**A16.1062 Dimension Unit: mm**



**A12.1061 Dimension Unit: mm**



**A12.1062 Dimension Unit: mm**



**Opto-Edu (Beijing) Co., Ltd.**

☎ 0086 13911110627

✉ [sale@optoedu.com](mailto:sale@optoedu.com)

🌐 [cnoec.com](http://cnoec.com)

F-1501 Wanda Plaza, No. 18 Shijingshan Road, Beijing 100043, China