



OPTO-EDU A15.1091-T plm polarized light microscopy Manual Transmit 12V 100W Halogen Semi APO ECO

Our Product Introduction

for more products please visit us on cnoec.com

Basic Information

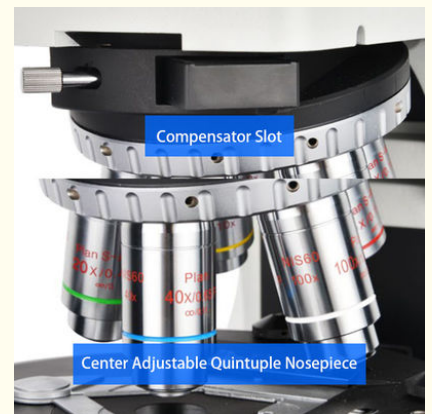
- Place of Origin: China
- Brand Name: CNOEC, OPTO-EDU
- Certification: CE, Rohs
- Model Number: A15.1091
- Minimum Order Quantity: 1 pc
- Price: FOB \$1~1000, Depend on Order Quantity
- Packaging Details: Carton Packing, For Export Transportation
- Delivery Time: 5~20 Days
- Payment Terms: T/T, West Union, Paypal
- Supply Ability: 5000 pcs/ Month

OPTO-EDU



Product Specification

- Main Body: BH Manual Body + Halogen Illumination.
- Head: Ergo Tilting Trinocular Head, Inclination 0°~35°
- Eyepiece: SW10x/25mm, High Eyepoint, Diopter Adjustable, Dia.30mm
- Nosepiece: Manual Nosepiece, Quintuple, Backward, Center Adjustable
- Working Stage: High-precision Pre-Adjusted Revolving Round Stage
- Condenser: Swing-Out Condenser NA0.9/0.25
- Highlight: **usb digital microscope, infinity plan microscope**



More Images



Seidentopf Trinocular Viewing Head

The adjustable viewing head can be operated in a more comfortable position. Minimize muscle tension and discomfort associated with working long hours.



Product Description

Research Level Polarizing Microscope, Manual, Transmit/Reflect, Semi-APO
Extra Wide Eyepiece EW10x/25mm Dia.30mm Diopter Adjustable With Lock Pin
Quintuple Nosepiece Center Adjustable, NIS60 Infinity Plan Strainless Semi-APO PL5x10x20x50x100x
Round Stage Dia.190mm, With Attachable Moving Stage Range 30x30mm
Transmit ECO Kohler Illumination 12V100W Halogen, Reflect 12V100W Halogen



OPTO-EDU (BEIJING) CO., LTD.

F-1501 Wanda Plaza, No.18 Shijingshan Road, Beijing 100043, China
Tel:+8610 88696020 Fax:+8610 88696085

A15.1091

Polarizing Microscope, Semi-APO



A15.1091 Series Microscope



A15.1091-R
Polarizing Microscope,
Semi-APO, Reflect



A15.1091-T
Polarizing Microscope,
Semi-APO, Transmit



A15.1091-TR
Polarizing Microscope,
Semi-APO, Transmit/Reflect

Product Details



Seidentopf Trinocular Viewing Head
0°~35° adjustable viewing head can be operated in a more comfortable position. Minimize muscle tension and discomfort associated with working long hours.



Intermediate Unit

The intermediate tube incorporates a Bertrand lens as standard, enabling both the observation and capture of conoscopic and orthoscopic images. Precisely and quickly interference images adjustment. The high precision slide-type analyzer can be rotated a full 360° with a precision vernier scale and provides unparalleled image contrast.

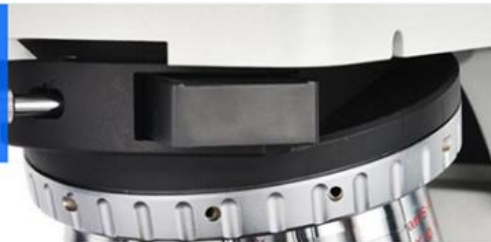


Reflect Epi Polarizing Illuminator

Up to 6 observation modules can be placed in the rotating disc structure, while providing full extension capacity can be quickly switched. Easy to use and improve work efficiency with just one touch.

Compensator Slot

On nosepiece there is compensator slot. Therefore, various compensators can be used to enhance the advanced quantitative measurement of the signal of the weak birefringent material.





Center Adjustable Quintuple Nosepiece
Up to five objectives can be mounted and all objectives positions are centerable. The nosepiece can be equipped with 6 objectives with different magnification rates to obtain abundant sample information.

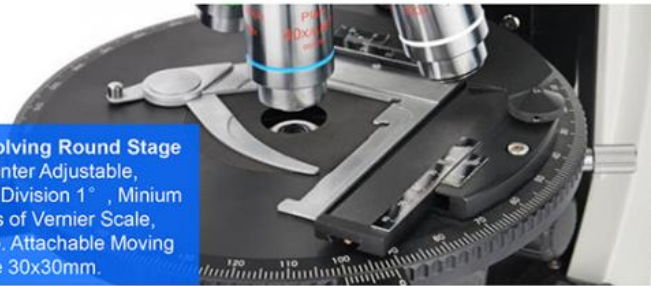


A5P.1090 Strain-Free Semi-APO Infinity Plan Objective For Polarizing View

With the deepening of the study of polarized light, the accuracy and repeatability of the data are increasingly required. Objective lens and condenser lens, as important components of the microscope, play a vital role in the imaging effect. As a polarizing microscope, not only does it require high resolution, but also a stress-free optical component, which ensures that the observed birefringence is from the sample and not from the optical element.

High Precision Revolving Round Stage

Diameter 190mm, Center Adjustable, 360° Scale, Minium Division 1°, Minium Reading 6' by Means of Vernier Scale, 45° Click Stop Knob, Attachable Moving Stage, Moving Range 30x30mm.



ECO Function

The transmitted light would be off automatically after 30 minutes from operators leave. It can not only save engergy, but also keep the lamp life.



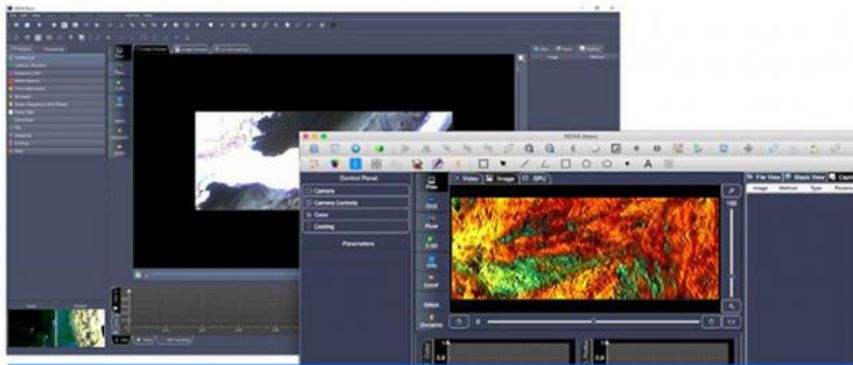
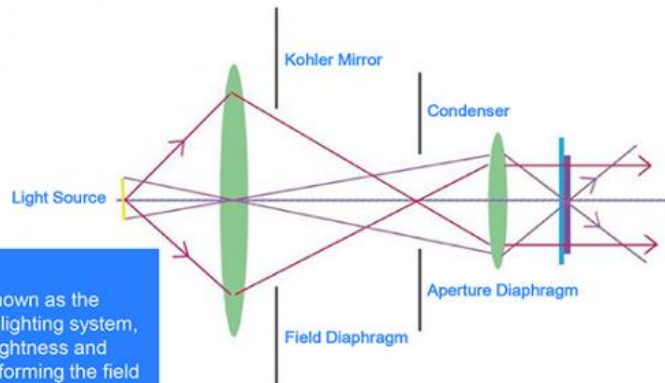


Image Analysis System

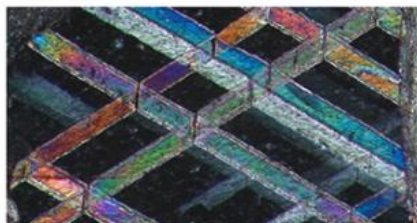
Today, the research work environment requires instruments that can be adapted to each person's different workflow. NOVA Basic can also serve as an observation instrument for today's popular operating systems. NOVA Basic microscopic image analysis software allows seamless integration between acquisition, processing, measurement and microscope.



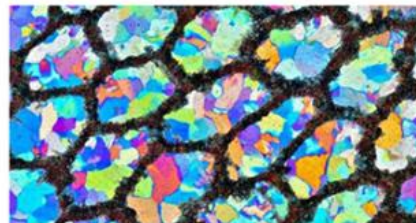
Kohler Lighting
Kohler Lighting is known as the perfect microscopic lighting system, providing perfect brightness and uniformity. While uniforming the field of view, it is possible to expand the functions of the microscope.

Product Application

Traditional polarizing microscopes are used in geology, mineralogy, metallography and geological exploration. However, with the deepening of various disciplines, more and more fields have put forward demands for polarizing microscopes, including not only industrial fields such as construction, material analysis, semiconductor production and detection, but also natural science fields such as forensic science, medical inspection and biological research. At the same time, the application space and extensibility of microscopes are required to be higher, and customized microscopes with higher image clarity, better contrast and higher efficiency are needed. Polarizing microscope NP900 is powerful and comfortable. It is your reliable partner in scientific research and industrial inspection. It can realize many kinds of observation and provide excellent optical imaging quality.



Calcite



Coral

Accessories



A54.1094-R Moving Ruler

In order to improve the operating efficiency of the microscope, the double-layer mechanical moving ruler can be easily installed on the rotating stage, and the sample can be easily moved. The moving range: 30x30mm

A5P.1090 Multiple Types Of Compensators

A variety of optical compensators are available in A15.1091 that enhance the signal of weak birefringent materials, making them easier to see. At the same time, the compensator can also be used for qualitative measurements to determine multiple horizontal delays.

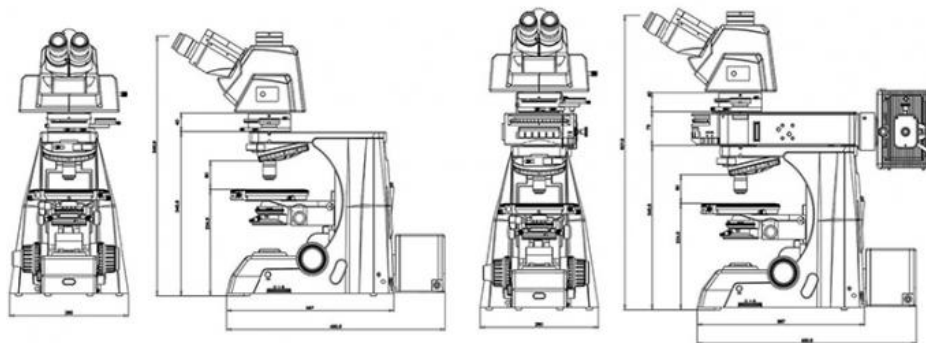


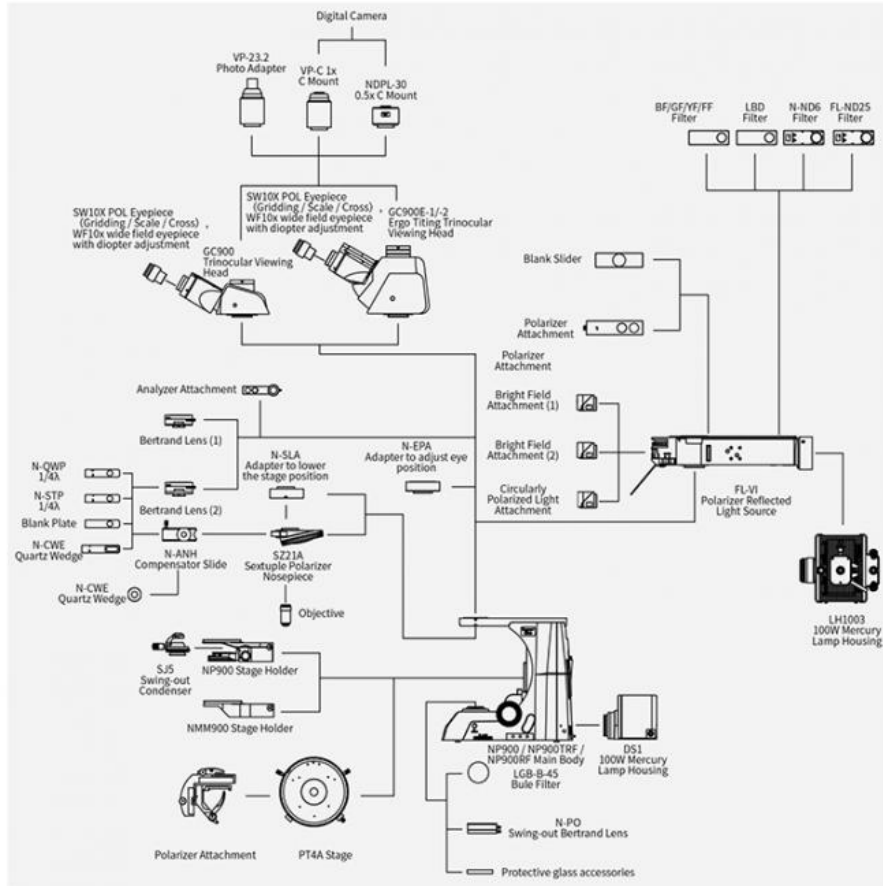
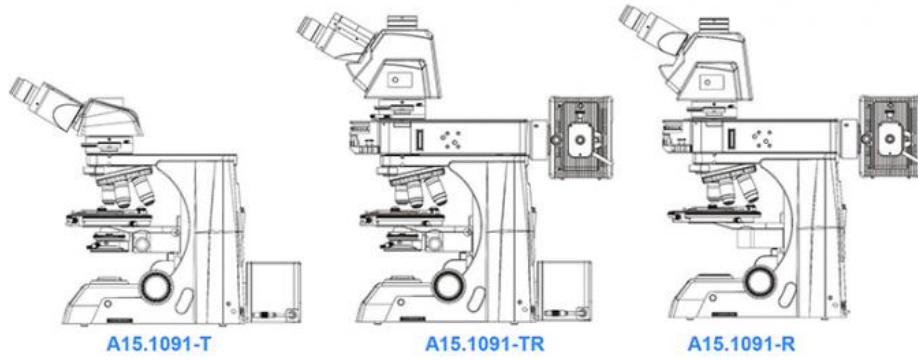
A15.1091 Series Polarizing Microscope		A15.1091			Cata.No.
		-T	-TR	-R	
Optical System	NIS60 Infinite Optical System	●	●	●	
Observation Method	Bright Field	●	●	●	
	Dark Field,	○	○	○	
	Polarizing	●	●	●	
	Phase Contrast	○	○	○	
	Flourescent	○	○	○	
	DIC	○	○	○	
Main Body	BH Manual Body + Halogen Illumination.	●	●	●	A54.1090-BH
	BL Manual Body + LED Illumination.	○	○	○	A54.1090-BL
	ATH Semi-Auto Body + Halogen Illumination. Auto Nosepiece + Auto Condenser + Auto Brightness Adjust	○	○	○	A54.1090-ATH
	ATL Semi-Auto Body + LED Illumination. Auto Nosepiece + Auto Condenser + Auto Brightness Adjust	○	○	○	A54.1090-ATL
Head	Seidentopf Binocular Head, Inclined 30°, Interpupillary Distance 47-78mm	○	○	○	A53.1090-B
	Seidentopf Trinocular Head, Inclined 30°, Interpupillary Distance 47-78mm, 3 Level Ligth Split Switch E100:P0/E20:P80/E0:P100	○	○	○	A53.1090-T
	Ergo Tilting Trinocular Head, Inclination 0°~35°, Interpupillary Distance 47-78mm, 3 Level Ligth Split Switch E100:P0/E20:P80/E0:P100	●	●	●	A53.1090-TT
Eyepiece	SW10x/25mm, High Eyepoint, Diopter Adjustable, Dia.30mm	●	●	●	A51.1090-1025
	SW10x/25mm, With Scale Cross, With Locating Pin, For Polarizing	●	●	●	A51.1090-1025S
	SW10x/25mm, With Cross Hair, With Locating Pin, For Polarizing	○	○	○	A51.1090-1025C
	SW10x/25mm, With Grid Plate, With Locating Pin, For Polarizing	○	○	○	A51.1090-1025G
	SW10x/22mm, High Eyepoint, Diopter Adjustable, Dia.30mm	○	○	○	A51.1090-1022
	EW12.5x/16mm, High Eyepoint	○	○	○	A51.1090-12516
	WF15x/16mm, High Eyepoint, Diopter Adjustable, Dia.30mm	○	○	○	A51.1090-1516
	WF20x/12mm, High Eyepoint, Diopter Adjustable, Dia.30mm	○	○	○	A51.1090-2012
Nosepiece	Manual Nosepiece, Quintuple, Backward, Center Adjustable	●	●	●	A54.1091-5M
	With Slot For Polarizing Compensator Slider Or DIC Slider	●	●	●	
	Protect Cover For Nosepiece Holes	●	●	●	A54.1091-C
NIS60 Strain-Free Semi-APO Infinity Plan Objective	5x/0.15, W.D.20mm, Semi-APO, PL, No Cover Glass	●	●	●	A5P.1091-5
	10x/0.3, W.D.11mm, Semi-APO, PL, No Cover Glass	●	●	●	A5P.1091-10
	20x/0.45, W.D.3.0mm, Semi-APO, PL, No Cover Glass	●	●	●	A5P.1091-20
	50x/0.8, W.D.1.0mm, Semi-APO, PL, No Cover Glass	●	●	●	A5P.1091-50
	100x/0.9, W.D.1.0mm, Semi-APO, PL, No Cover Glass	●	●	●	A5P.1091-100
Working Stage	High-precision Pre-Adjusted Revolving Round Stage, Diameter 190mm, Center Adjustable , 360° Scale, Minium Division 1° , Minium Reading 6´ by Means of Vernier Scale, 45° Click Stop Knob.	●	●	●	A54.1094
	Attachable Moving Stage, Moving Range 30x30mm	●	●	●	A54.1094-R
Condenser	Swing-Out Condenser NA0.9/0.25	●	●	●	A56.1091-S
Focusing	Coaxial Coarse & Fine Focusing, Fine Division 0.001mm, Focusing Range 35mm, Coarse Stroke 37.7mm, Fine Stroke 0.1mm, Can Exchange Hand Wheel Between Left/Righ	●	●	●	

Polarizing Unit & Compensator	Bertrand Lens Intermediate Unit, With Slot For Compensator Slide	●	●	●	A5P.1090-CB
	λ Compensator Slide	●	●	●	A5P.1090-CA
	λ1/4 Compensator Slide	●	●	●	A5P.1090-C1/4λ
	Quartz Wedge Slide	●	●	●	A5P.1090-CQ
	Blank Slide	●	●	●	A5P.1090-BS
Transmit Light Source	Transmit Kohler Illumination, Brightness Adjustable, 12V100W Halogen, External Lamp House ECO Function Support Auto Power Off After 30 Mins From Operator Leave To Save Energy	●	●	-	A56.1090-12V100W
Polarizing For Transmit Light	Protective Glass	●	●	-	A5P.1090-G
	Transmit Polarizer, Swing Out	●	●	-	A5P.1090-TP
	Transmit Analyzer Slide	●	●	-	A5P.1090-TA
Filter For Transmit Light	Filter Holder On Base, Can Hold 3 Filters	●	●	-	A56.1092-H
	Filter LBD	●	●	-	A56.1092-LBD
	Filter Green	●	●	-	A56.1092-G
	Filter Yellow	●	●	-	A56.1092-Y
	Filter ND6	●	●	-	A56.1092-ND6
	Filter ND25	●	●	-	A56.1092-ND25
Reflect Light Source	Reflect Epi Polarizing Illuminator, Turret Disc With 6 Positions For Filter Block, Kohler Illumination	-	●	●	A5P.1090
	12V100W Halogen Lamp Housing	-	●	●	A5P.1090-100W
	BF1 View Block	-	●	●	A5P.1090-B1
	BF2 View Block	-	●	●	A5P.1090-B2
Polarizing For Reflect Light	Circularly Polarized Light Block	-	●	●	A5P.1090-CP
	Reflect Polarizer Slide	-	●	●	A5P.1090-RP
	Reflect Analyzer Slide, 360° Dial Rotate, Minimum Scale Reading 0.1°	-	●	●	A5P.1090-RA
	Blank Slide	-	●	●	A5P.1090-E
Filter For Reflect Light	Filter Blue	-	●	●	A56.1093-B
	Filter Green	-	●	●	A56.1093-G
	Filter Yellow	-	●	●	A56.1093-Y
	Filter Forested	-	●	●	A56.1093-F
Adapter	Eyepiece Adapter Dia.23.2mm	○	○	○	A55.1090-E
	C-Mount 1.0x	○	○	○	A55.1090-10
	C-Mount 0.5x	○	○	○	A55.1090-05
Other Accessories	Working Stage Holder Bracket	●	●	●	A54.1096
	Adapter To Adjust Eye Position	○	○	○	A54.1096-A1
	Adapter To Lower The Stage Position 1"	○	○	○	A54.1096-A2
	Immersion Oil	○	○	○	A50.1090-01
	Allen Wrench	●	●	●	A50.1090-02
	Power Cord	●	●	●	A50.1090-03
	Short Eye Cover, For Eyepiece	○	○	○	A50.1090-04
	Long Eye Cover, For Eyepiece	○	○	○	A50.1090-05
	Eyepiece Micrometer, Cross	○	○	○	A50.1090-06
	Adapter Ring To Install Eyepiece Micrometer	○	○	○	A50.1090-07
	USB Cable	○	○	○	A50.1090-08

Note: "●" In Table Is Standard Outfits, "○" Is Optional Accessories "-" Is Unavailable

System Diagram & Size(mm)





Opto-Edu (Beijing) Co., Ltd.



0086 13911110627



sale@optoedu.com



cnoec.com

F-1501 Wanda Plaza, No. 18 Shijingshan Road, Beijing 100043, China