



## WF10X Cordless Polarizing Compound Optical Microscope Trinocular A12.0204

Our Product Introduction

### Basic Information

- Place of Origin: China
- Brand Name: CNOEC, OPTO-EDU
- Certification: CE, Rohs
- Model Number: A12.0204
- Minimum Order Quantity: 1 pc
- Price: FOB \$1~1000, Depend on Order Quantity
- Packaging Details: Carton Packing, For Export Transportation
- Delivery Time: 5~20 Days
- Payment Terms: T/T, West Union, Paypal
- Supply Ability: 5000 pcs/ Month



### Product Specification

- Applications: Student|school|Laboratory
- Certification: CE|Rohs
- Drawtube: Trinocular
- Illumination: Halogen Lamp
- Max Magnification: 1000X
- Product Name: Compound Optical Microscope
- Highlight: **binocular compound microscope , wide field microscope**



for more products please visit us on [cnoec.com](http://cnoec.com)



## A12.0204 Laboratory Biological Microscope



## Product Details



**A5C.0210-1** Small Turret  
Phase Contrast Condenser



**A5C.0210-4** Big Turret  
Phase Contrast Condenser



**A5C.0210-2** Flash Board  
Phase Condenser Set



**A5C.0210-3** Pull Board  
Phase Condenser Set



**A12.0204** Trinocular Laboratory Microscope



**A5C.0234** Infinity Plan Phase Contrast Objective  
**A5C.0212-1** Centering Telescope 10x



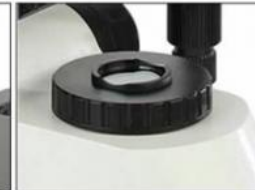
**A5D.0210-D** Dry Dark Field Condenser  
**A5D.0210-4** Immersion Dark Field Condenser



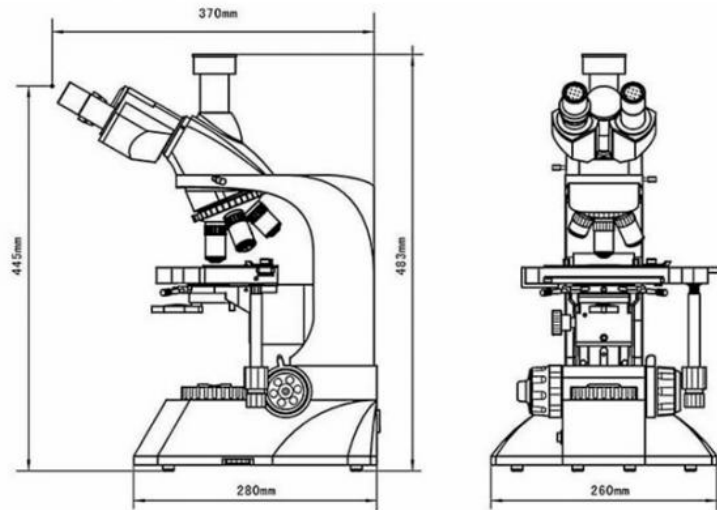
**Binocular Head, WF10x/22mm High Eyepoint Eyepiece, Diopter Adjustable**



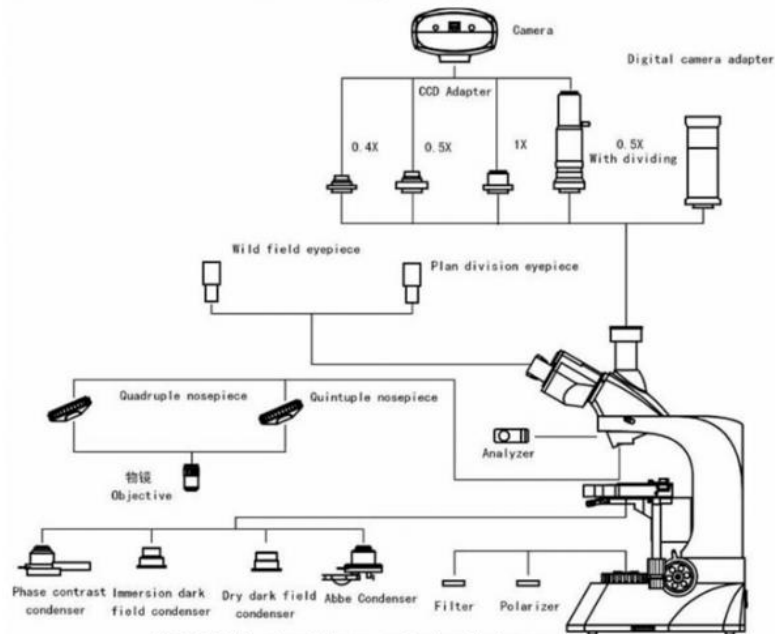
**Infinity Plan Achromatic Objective 4x/0.1, 10x/0.25, 40x/0.65(S), 100x/1.25(O,S)**



**Light Collector For Halogen Lamp, With Field Diaphragm**



A12.0204 Laboratory Microscope System Size



A12.0204 Laboratory Microscope System Diaphragm

A12.0204 Laboratory Biological Microscope		A	B
Optical System	Infinity Optical System	●	●
Eyepieces Tube	Trinocular, Inclination 30°, Rotatable 360°, Interpupillary 53~75mm, Left Side Eyepiece Tube Diopter Adjustable ±5°, Switch E100:P0/E0:P100	●	●
Eyepiece	WF10x/22mm	●●	●●
Infinity Plan Achromatic Objective:	PL4x/0.10, W.D.21mm	●	●
	PL10x/0.25, W.D. 5.0mm	●	●
	PL20x/0.40, W.D.8.8mm	○	●
	PL40x/0.65, W.D. 0.66mm (S)	●	●
	PL100x/1.25, W.D.0.36mm (S,O)	●	●
Nosepiece	Quadruple (Backward ball bearing inner locating)	●	○
	Quintuple (Backward ball bearing inner locating)	○	●
Working Stage	Double Layer Mechanical Stage 210*140mm, Moving Range 75*50mm	●	●
Focusing	Coaxial Coarse & Fine Focus Knob, With Tension Adjustable And Limit Stopper, Minimum Division 0.002mm	●	●
Condenser	Abbe Condenser N.A.1.25, Rack & Pinion Height Adjustable	●	●
Light Source	Kohler Illumination, 6V30W Halogen Lamp, Brightness Adjustable, Light Collector With Iris Diaphragm	●	●
A12.0204 Laboratory Biological Microscope Optional Accessories			
Eyepiece	Retical Eyepiece, WF10x/22mm, Micrometer Div 0.1mm	A51.0205-G10B	
Objective:	Infinity Plan Achromatic PL20x/0.40, W.D.8.8mm	A52.0206-20	
	Infinity Plan Achromatic PL60x/0.85, W.D.0.25mm	A52.0206-60	
	Green Filter	A56.0209-02	

Filter	Yellow Filter	A56.0209-03
Phase Contrast	Centering Telescope	A5C.0212-2
	Infinity Plan Phase Contrast Objective 10x/0.25 PHP	A5C.0234-P10
	Infinity Plan Phase Contrast Objective 20x/0.40 PHP, Spring	A5C.0234-P20
	Infinity Plan Phase Contrast Objective 40x/0.65 PHP, Spring	A5C.0234-P40
	Infinity Plan Phase Contrast Objective 100x/1.25 PHP, Spring, Oil	A5C.0234-P100
	Small Turret Phase Contrast Condenser	A5C.0210-1
	BigTurret Phase Contrast Condenser	A5C.0210-4
	Flashboard Phase Contrast Condenser With Slides *4	A5C.0210-2
	Pullboard Phase Contrast Condenser With Slides * 2	A5C.0210-3
Dark Field	Dark Field Condenser, Dry	A5D.0210-D
	Dark Field Condenser, Immersion	A5D.0210-I
Polarizing	Simple Polarizing Set Polarizer, 360° Rotatable, Used On Base Light Collector Analyzer Slide, Inserted Into Hole On Nosepiece	A5P.0201-2
	0.5x C-Mount	A55.0202-4
	1.0x C-Mount	A55.0202-2
Adapter	0.5x C-Mount With Dividing 0.1mm/Div	A55.0202-3
	Digital SLR Camera Adapter for Canon EF Series	A55.0204-01



**Opto-Edu (Beijing) Co., Ltd.**

☎ 0086 13911110627

✉ [sale@optoedu.com](mailto:sale@optoedu.com)

🌐 [cnoec.com](http://cnoec.com)

F-1501 Wanda Plaza, No. 18 Shijingshan Road, Beijing 100043, China