



High Power Compound Optical Microscope For Students , WF10X - 18mm A12.2601

Our Product Introduction

for more products please visit us on cnoec.com

Basic Information

- Place of Origin: China
- Brand Name: CNOEC, OPTO-EDU
- Certification: CE, Rohs
- Model Number: A12.2601
- Minimum Order Quantity: 1 pc
- Price: FOB \$1~1000, Depend on Order Quantity
- Packaging Details: Carton Packing, For Export Transportation
- Delivery Time: 5~20 Days
- Payment Terms: T/T, West Union, Paypal
- Supply Ability: 5000 pcs/ Month



Product Specification

- Applications: Student|school|Laboratory
- Certification: CE|Rohs
- Drawtube: Binocular
- Illumination: LED
- Max Magnification: 1000X
- Product Name: Compound Optical Microscope
- Highlight: **binocular compound microscope , wide field microscope**



More Images



Product Description

High Power Compound Optical Microscope 1000X For Students A12.2601

Description:

A12.2601 Laboratory Microscope, new design with high quality optical system, supplying clear image, is good to be used in high school, university for student. Color can be made according to customer's requirement, new concept in microscope field.

- Infinity optical system
- Different color available for customer's choice!
- Trinocular head light split system 80:20
- LED light source available



OPTO-EDU (BEIJING) CO., LTD.

F-1501 Wanda Plaza, No.18 Shijingshan Road, Beijing 100043, China
Tel:+8610 88696020 Fax:+8610 88696085

A12.2601

Laboratory Biological Microscope





**Seidentopf Head Inclined 30°
Rotatable 360° , Interpupillary Distance 48-75mm**

Seidentopf Head

Inclined 30°, Rotatable 360°, Interpupillary Distance 48-75mm, High Eyepoint Eyepiece, Which Is Convenient For People With Different Sitting Height; The Integrated Design Of The Eyepiece Lens Barrel, Avoids The Loss And Contamination Of The Eyepiece And Enhances The Integrated Performance Of The Microscope



Exclusive And Innovative Low-power Dimming Objective

Quadruple, Backward

4 Sets Objective Available: Achromatic, Plan, Infinity E-Plan, Infinity Plan.



Mechanical Stage Size 145 × 140mm
Travel Range 76 × 52mm

Double Slide Holder Working Stage

Mechanical Stage Size: 145 mm×140mm, Travel: 76mmX52mm, Scale: 0.1mm



Abbe Condenser N.A.1.25, Iris Diaphragm, Rack & Pinion Up/Down



3W-LED Illumination Systems

Condenser & Light Source

Abbe Condenser N.A.1.25, Iris Diaphragm, Rack & Pinion Up/Down, With Filter Holder
3W-LED Illumination Systems



Coaxial Coarse & Fine Focusing



Holding Hole On Back



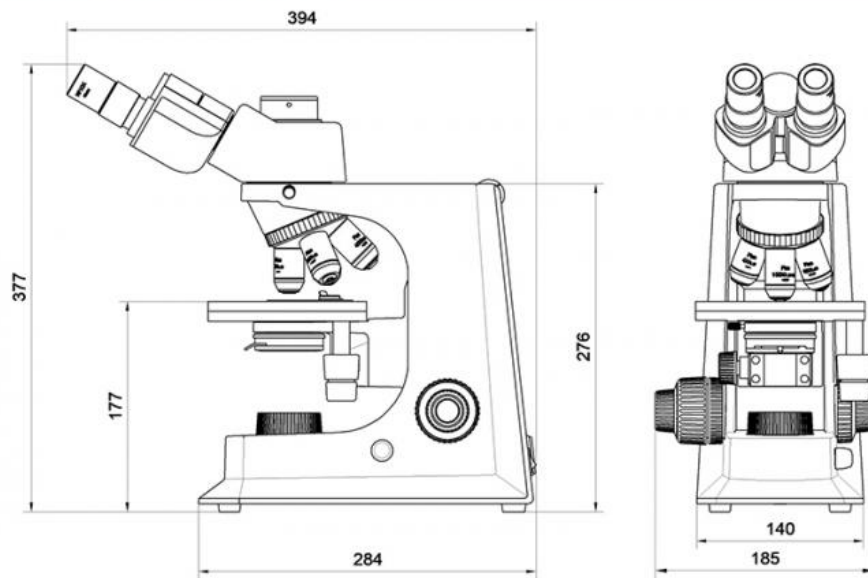
Wire Winding Device



Powered By Safety Low Voltage Charger, Input Wide Voltage 100V-240V, Output 5V1A, Support Power Bank Supply For Outdoor Use

Phase Contrast	Infinity Plan Phase Contrast Objective 20x + Phase Contrast Slide 20x + Phase Contrast Condenser + Telescope 11x + Green Filter	○	○	○	○	○	○	○	○	A5C.2601-20
	Infinity Plan Phase Contrast Objective 40x + Phase Contrast Slide 40x + Phase Contrast Condenser + Telescope 11x + Green Filter	○	○	○	○	○	○	○	○	A5C.2601-40
	Infinity Plan Phase Contrast Objective 100x + Phase Contrast Slide 100x + Phase Contrast Condenser + Telescope 11x + Green Filter	○	○	○	○	○	○	○	○	A5C.2601-100
	Turret Phase Contrast Attachment Infinity Plan Phase Contrast Objective 10x20x40x100x, Turret Phase Contrast Condenser 5-Holes, Telescope 11x, Green Filter	○	○	○	○	○	○	○	○	A5C.2603-S
Fluorescence Unit	Upgrade to A16.2601-B2/T2 Fluorescence Microscope With: B,G China Fluorescent Set 100W Mercury Lamp House 100W Mercury Power Box, Digital Disp. 6 Holes Disc Fluorescent Unit Ultraviolet Protection Barrier Centering Objective China 100W Mercury Lamp 2 pcs						○	○		A5F.2601-2
	Upgrade to A16.2601-B4/T4 Fluorescence Microscope With: B,G,U,UV China Fluorescent Set 100W Mercury Lamp House 100W Mercury Power Box, Digital Disp. 6 Holes Disc Fluorescent Unit Ultraviolet Protection Barrier Centering Objective China 100W Mercury Lamp 2 pcs						○	○		A5F.2601-4
	Upgrade to A16.2601-LB2/LT2 Fluorescence Microscope With: B,G China Fluorescent Set 6 Holes Disc Fluorescent Unit 5W LED Lamp House 5W LED Power Box Ultraviolet Protection Barrier						○	○		A5F.2602-2
	Upgrade to A16.2601--LB4/LT4 Fluorescence Microscope With: B,G,U,UV China Fluorescent Set 6 Holes Disc Fluorescent Unit 5W LED Lamp House 5W LED Power Box Ultraviolet Protection Barrier						○	○		A5F.2602-4
Adapter	C-Mount 0.5x, Focus Adjustable	○	○	○	○	○	○	○	○	A55.2601-05
	C-Mount 0.75x, Focus Adjustable	○	○	○	○	○	○	○	○	A55.2601-75
	C-Mount1.0x, Focus Adjustable	○	○	○	○	○	○	○	○	A55.2601-10
	Digital Eyepiece Camera Adapter, Dia. 23.2mm/25mm	○	○	○	○	○	○	○	○	A55.2610
Mirror	Reflecting Mirror & Holder	○	○	○	○	○	○	○	○	A56.2601
Attachment	Wire Winding Device	○	○	○	○	○	○	○	○	A50.2602-S
Package	Carton Size 390×280×450mm, 1 Unit/Ctn									
Weight	Gross Weight: 7.5 kgs, Net Weight: 6.5 kgs									
Note: "●" In Table Is Standard outfits, "○" Is Optional Accessories										

Product Size(mm)



Product Accessories



A51.2602-1018
WF10x/18mm

A51.2602-1020
WF10X/20mm
(High Eyepoint)

A52.2605
Infinity E-Plan Objective



A52.2606
Infinity Plan Objectives



A52.2601
Achromatic Objective



A55.2610
Digital Eyepiece
Camera Adapter



A51.2603
Plan Objective



A56.2615-S
Field Diaphragm



A55.2601-10
C-Mount 1.0x,
Focus Adjustable



A5P.2601-S
Analyzer + Polarizer Set



A56.2601
Reflecting Mirror & Holder



A55.2601-75
C-Mount 0.75x,
Focus Adjustable



A5D.2610-S
Dark Field Condenser, Dry



A54.2601-S12
Rackless (Integrated) Stage



A56.2616
Filter : Blue, Green, Yellow



A55.2601-05
C-Mount 0.5x,
Focus Adjustable



A5C.2601

Phase Contrast Objective + Side + Condenser + Telescope + Green Filter



A5C.2603-S

Turret Phase Contrast Attachment

Product Multi-angle



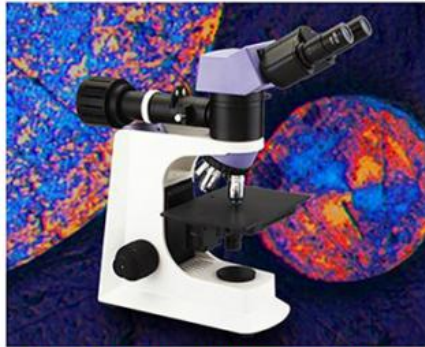
Product Upgrade



A16.2601 Fluorescence Microscope



A16.2601-L LED Fluorescence Microscope



A13.2605 Metallurgical Microscope(Reflect)



A15.2603 Polarizing Microscope(Transmit)



Opto-Edu (Beijing) Co., Ltd.

☎ 0086 13911110627

✉ sale@optoedu.com

🌐 cnoec.com

F-1501 Wanda Plaza, No. 18 Shijingshan Road, Beijing 100043, China