



7x - 46x Zoom Stereo Digital Optical Microscope Reflected Light Microscopes A32.2601

Basic Information

- Place of Origin: China
- Brand Name: CNOEC, OPTO-EDU
- Certification: CE, Rohs
- Model Number: A32.2601
- Minimum Order Quantity: 1 pc
- Price: FOB \$1~1000, Depend on Order Quantity
- Packaging Details: Carton Packing, For Export Transportation
- Delivery Time: 5~20 Days
- Payment Terms: T/T, West Union, Paypal
- Supply Ability: 5000 pcs/ Month



Product Specification

- Applications: Student, School
- Certification: CE, Rohs
- Drawtube: Binocular
- Illumination: LED
- Max Magnification: 7x - 46x
- Theory: Digital Optical Microscope
- Highlight: **digital usb microscope,
portable digital microscope**

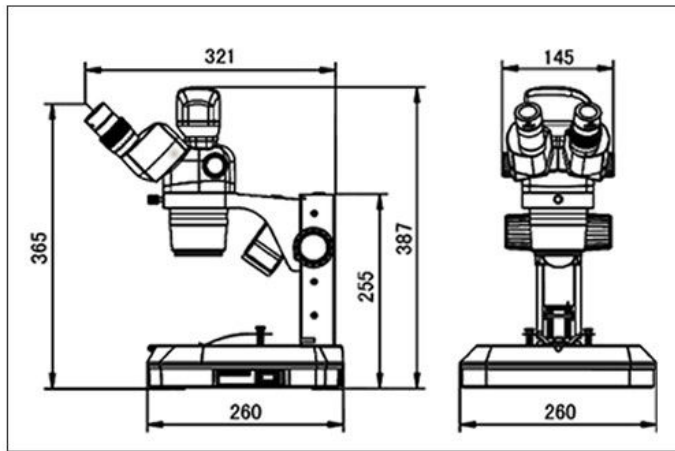


Product Description

7x - 46x Digital Optical Microscope Reflected Light Microscopes A32.2601

Specifications:

A32.2601 Digital Series Zoom Stereo Microscope		3M	5M		
Eyepiece	WF10x/22mm, high eyepoint, diopter adjustable (with eyecup)				
Viewing Head & Zoom Body	Built-in 3MP digital camera system, 1/2" CMOS color sequential scanning, inclined 45°, Interpupillary Distance 54mm-76mm, Zoom Ratio 1:6.6	•			
	Built-in 5MP digital camera system, 1/2" CMOS color sequential scanning, inclined 45°, Interpupillary Distance 54mm-76mm, Zoom Ratio 1:6.6		•		
Light Distribution	2:8, eyepiece observation synchronized with digital imaging without switching				
Zoom range	0.7x-4.6x				
Objective	Built-in 1x				
Magnification	7x-46x				
Working Distance	110mm				
Focusing	Focus unit				
Stand	Arm stand	•	•		
Illumination	Reflecting lamp 3W LED (optional :12V/15W halogen)	•	•		
	Transmitting lamp 3W LED (optional :12V/15W halogen)	•	•		
Stage	Black & white plate				
	Glass plate	•	•		
Interface	USB2.0				
System	Available for WINDOWS 2000 /XP/ 7 /Vista				
A32.2601 Series Digital Zoom Stereo Microscope Optical Data					
Auxiliary Objectives		0.5x	0.75x	1x(built in)	2x
Working distance (mm)		189mm	122mm	110mm	36mm
WF10x/22mm	Eyepiece Magnification	3.5 23x	5.3 34.5x	7 46x	14 92x
	Field dia. (mm)	62.86 9.57	41.90 6.38	31.43 4.78	15.71 2.39
WF15x/17mm	Eyepiece Magnification	5.3 34.5x	7.9 51.8x	10.5 69x	21 138x
	Field dia. (mm)	48.57 7.39	32.38 4.93	24.29 3.70	12.14 1.85
WF20x/13mm	Eyepiece Magnification	7 46x	10.5 69x	14 92x	28 184x
	Field dia. (mm)	37.14 5.65	24.76 3.77	18.57 2.83	9.29 1.41
A32.2601 Series Digital Zoom Stereo Microscope Combination List				Item No.	
Eyepiece	WF10x/22mm, high eyepoint, diopter adjustable (with eyecup)			A51.2621-10	
Digital Viewing Head & Zoom Body	Built-in 3MP digital camera r head & zoom body (1:6.6) without eyepiece			A53.2611-5	
	Built-in 5MP digital camera head & zoom body (1:6.6) without eyepiece			A53.2612-6	
Focus Unit	Focus unit without illumination			A54.2608-1	
	Focus unit with 3W LED reflecting illumination			A54.2608-2	
Stand	Arm stand with focus unit, without Light			A54.2609-01	
	Arm stand with focus unit and 3W LED illumination			A54.2609-02	
	Pillar stand without illumination			A54.2609-03	
	Pillar stand with 3W LED transmitting illumination			A54.2609-04	
	Stand with mirror			A54.2609-05	
	Universal stand			A54.2609-06	
	Rectangular big base, 3W-LED transmitting illumination, base size: 330x300mm			A54.2609-07	
	Rectangular big base, without illumination, base size: 330x300mm			A54.2609-08	
Complete set	is composed of Eyepiece + Digital Head & zoom body + Focus unit + Stand				
A32.2601-3M	A51.2621-10 (paired) + A53.2611-5 + A54.2608-2 + A54.2609-02				
A32.2601-5M	A51.2621-10 (paired) + A53.2611-6 + A54.2608-2 + A54.2609-02				
And More Combinations As Per Your Request					
Optional Accessories				Item No.	
Eyepiece	WF15x/17mm			A51.2621-15	
	WF20x/13mm			A51.2621-20	
Auxiliary Objective	0.5x W.D. 189mm			A52.2621-05	
	0.75x W.D. 122mm			A52.2621-75	
	2x W.D. 36mm			A52.2621-20	



Opto-Edu (Beijing) Co., Ltd.

☎ 0086 13911110627

✉ sale@optoedu.com

🌐 cnoec.com

F-1501 Wanda Plaza, No. 18 Shijingshan Road, Beijing 100043, China