



LED Digital Optical Microscope 500x With Digital Camera A32.2602

Basic Information

- Place of Origin: China
- Brand Name: CNOEC, OPTO-EDU
- Certification: CE, Rohs
- Model Number: A32.2602
- Minimum Order Quantity: 1 pc
- Price: FOB \$1~1000, Depend on Order Quantity
- Packaging Details: Carton Packing, For Export Transportation
- Delivery Time: 5~20 Days
- Payment Terms: T/T, West Union, Paypal
- Supply Ability: 5000 pcs/ Month



Product Specification

- Applications: Student, School
- Certification: CE, Rohs
- Drawtube: Binocular
- Illumination: LED
- Max Magnification: 500X
- Theory: Digital Optical Microscope
- Highlight: **digital usb microscope,**
optical microscope with digital camera

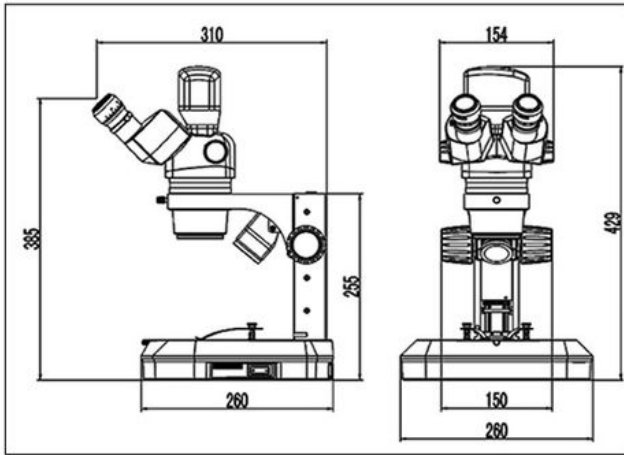


Product Description

LED Digital Optical Microscope 500x With Digital Camera A32.2602

Specifications:

A32.2602 Series Digital Zoom Stereo Microscope		3M	5M		
Eyepiece	WF10x/23mm, high eyepoint, diopter adjustable (with eyecup)				
Viewing Head & Zoom Body	Built-in 3MP digital camera system, 1/2" CMOS color sequential scanning, inclined 45°, Interpupillary Distance 54mm-76mm, Zoom Ratio 1:7.6	•			
	Built-in 5MP digital camera system, 1/2" CMOS color sequential scanning, inclined 45°, Interpupillary Distance 54mm-76mm, Zoom Ratio 1:7.6		•		
Light Distribution	2:8, eyepiece observation synchronized with digital imaging without switching				
Zoom range	0.66x-5x				
Objective	Built-in 1x				
Magnification	6.6x-50x				
Working Distance	110mm				
Focusing	Focus unit				
Stand	Arm stand	•	•		
Illumination	Reflecting lamp 3W LED (optional :12V/15W halogen)	•	•		
	Transmitting lamp 3W LED (optional :12V/15W halogen)	•	•		
Stage	Black & white plate				
	Glass plate	•	•		
Interface	USB2.0				
System	Available for WINDOWS 2000 /XP/ 7 /Vista				
A32.2602 Series Digital Zoom Stereo Microscope Optical Data					
Auxiliary Objectives		0.5x	0.75x	1x(built in)	2x
Working distance (mm)		189mm	122mm	110mm	36mm
WF10x/23mm	Eyepiece Magnification	3.3 25x	4.95 37.5	6.6 50x	13.2 100x
	Field dia. (mm)	62.86 9.57	41.90 6.38	31.43 4.78	15.71 2.39
WF20x/13mm	Eyepiece Magnification	7 46x	10.5 69x	14 92x	28 184x
	Field dia.(mm)	37.14 5.65	24.76 3.77	18.57 2.83	9.29 1.41
WF25x/11mm	Eyepiece Magnification	8.8 57.5x	13.1 86.3x	17.5 115x	35 230x
	Field dia.(mm)	31.43 4.78	20.95 3.19	15.71 2.39	7.86 1.20
A32.2602 Series Digital Zoom Stereo Microscope Combination List				Item No.	
Eyepiece	WF10x/23mm, high eyepoint, diopter adjustable (with eyecup)			A51.2621-10B	
Digital Viewing Head & Zoom Body	Built-in 3MP digital camera r head & zoom body (1:7.6) without eyepiece			A53.2611-3	
	Built-in 5MP digital camera head & zoom body (1:7.6) without eyepiece			A53.2612-4	
Focus Unit	Focus unit without illumination			A54.2608-1	
	Focus unit with 3W LED reflecting illumination			A54.2608-2	
Stand	Arm stand with focus unit, without Light			A54.2609-01	
	Arm stand with focus unit and 3W LED illumination			A54.2609-02	
	Pillar stand without illumination			A54.2609-03	
	Pillar stand with 3W LED transmitting illumination			A54.2609-04	
	Stand with mirror			A54.2609-05	
	Universal stand			A54.2609-06	
	Rectangular big base,3W-LED transmitting illumination, base size: 330×300mm			A54.2609-07	
	Rectangular big base,without illumination,base size:330×300mm			A54.2609-08	
Complete set	is composed of Eyepiece + Digital Head & Zoom Body + Focus unit + Stand				
A32.2602-3M	A51.2621-10B (paired) + A53.2611-3 + A54.2608-2 + A54.2609-02				
A32.2602-5M	A51.2621-10B (paired) + A53.2611-4 + A54.2608-2 + A54.2609-02				
And More Combinations As Per Your Request					
Optional Accessories				Item No.	
Eyepiece	WF20x/13mm high eyepoint,diopter adjustable (with eyecup)			A51.2621-20B	
	WF25x/11mm high eyepoint,diopter adjustable (with eyecup)			A51.2621-25B	
Auxiliary Objective	0.5x W.D.189mm			A52.2621-05	
	0.75x W.D. 122mm			A52.2621-75	
	2x W.D. 36mm			A52.2621-20	



Opto-Edu (Beijing) Co., Ltd.

☎ 0086 13911110627

✉ sale@optoedu.com

🌐 cnoec.com

F-1501 Wanda Plaza, No. 18 Shijingshan Road, Beijing 100043, China