



OPTO-EDU A13.2603-B Metallurgical Microscope, Binocular, Reflect Light

Basic Information

- Place of Origin: China
- Brand Name: CNOEC, OPTO-EDU
- Certification: CE,
- Model Number: A13.2603-B
- Minimum Order Quantity: 1 pc
- Price: FOB \$1~1000, Depend on Order Quantity
- Packaging Details: Carton Packing, For Export Transportation
- Delivery Time: 5~20 Days
- Payment Terms: T/T, West Union, Paypal
- Supply Ability: 5000 pcs/ Month



Product Specification

- Highlight: digital trinocular microscope, infinity plan microscope



Metallurgical Microscope, Binocular, Reflect Light

Entry Level Economical High Quality Upright Metallurgical Microscope
 Wide Field Eyepiece WF10x/18mm + Reticle Eyepiece With Micrometer 0.1mm
 Metallurgical LWD Infinity Plan Objective 5x,10x,20x,50x,80x,100x(Dry) Optional
 Mechanical Working Stage 200x140mm, Moving Range 76x52mm With No Hole
 Reflect Light Source 5W LED With Five Holes Filter Disc

Items	A13.2603 Metallurgical Microscope Specification	B	T	Cata. No.
Head	Seidentopf Binocular Head Inclined 30°, Eyetube Rotatable 360°, Interpupillary Distance 48-75mm	●		A53.2601-B
	Seidentopf Trinocular Head Inclined 30°, Eyetube Rotatable 360°, Interpupillary Distance 48-75mm, Light Split Fixed P20/E80		●	A53.2601-T
Eyepiece	WF10x/18mm, High Eyepoint,	●	●	A51.2602-1018
	WF10x/18mm, With Micrometer X-0.1mm*180 Div / Y-Single Line, Diopter Adjustable	●	●	A51.2605-1018D
Nosepiece	Quadruple, Backward	●	●	A54.2610-N03
Metallurgical LWD Infinity Plan Objectives	LPL 5x/0.13, W.D.=16.04mm	●	●	A5M.2633-5
	LPL 10x/0.25, W.D.=18.48mm	●	●	A5M.263310
	LPL 20x/0.40, W.D.=8.35mm	○	○	A5M.2633-20
	LPL 50x/0.70, W.D.=1.95mm	●	●	A5M.2633-50
	LPL 80x/0.80, W.D.=0.85mm	○	○	A5M.2633-80
	LPL 100x/0.90(Dry), W.D.=1.00mm	○	○	A5M.2633-100
Working Stage	Double Layer Mechanical Stage Size 200×140mm, Travel Range 76×52mm	●	●	A54.2601-S03T
Focusing	Coaxial Coarse And Fine Focusing Knobs, Travel Range: 22mm, Scale: 2μm	●	●	
Illumination	Reflect Light Source, 5W LED Lamp, With Five Holes Filter Disc (Blue, Green, Amber, Grey, Empty)	●	●	A56.2613-12V20W
Power Supply	Powered By Safety Low Voltage Charger, Input Wide Voltage 100V-240V, Output 5V1A, Support Power Bank Supply For Outdoor Use			
Polarizing	Analyzer + Polarizer	○	○	A5P.2603-BS
Adapter	C-Mount 0.5x, Focus Adjustable	○	○	A55.2601-B05
	C-Mount 1.0x, Focus Adjustable	○	○	A55.2601-B10



OPTO-EDU (BEIJING) CO., LTD.

F-1501 Wanda Plaza, No.18 Shijingshan Road, Beijing 100043, China
 Tel:+8610 88696020 Fax:+8610 88696085

A13.2603

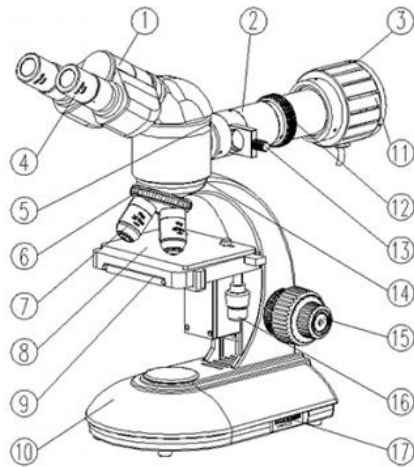
Metallurgical Microscope, Reflect Light



Powered By Safety Low Voltage
Charger
Input Wide Voltage 100V-240V, Output
5V1A, Support Power Bank Supply For
Outdoor Use



Product Conformation & Models

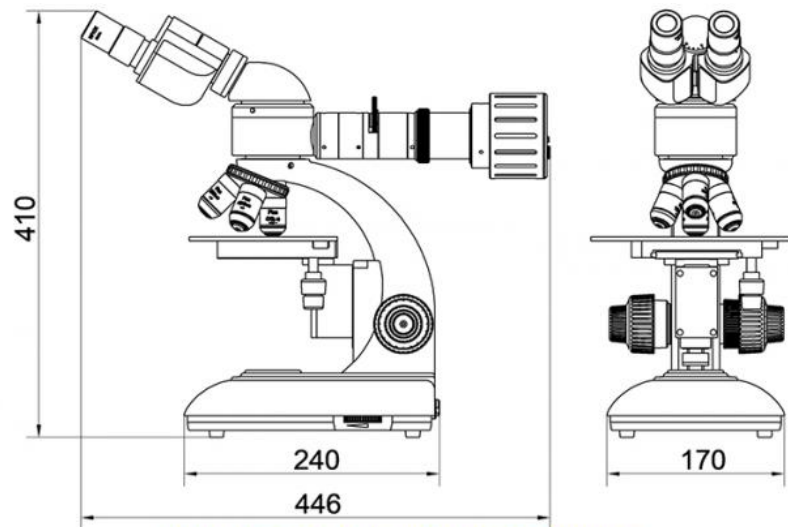


A13.2603-B

01	Seidentopf Binocular head
02	Epi Unit
03	Screw C
04	Eyeiece
05	Screw B
06	Nosepiece
07	Objectives
08	Stage Plate
09	Stage
10	Base
11	Lamp house
12	Aperture Diaphragm Ring
13	Spot
14	Screw A
15	Coarse and fine focusing knobs
16	Stage adjusting knobs
17	Potentiometer



A13.2603-T



A13.2603 Inverted Metallurgical Microscope Size(mm)

Product Accessories



A55.2601-B05
0.5x C-Mount (Focus Adjustable)



A55.2601-B10
1x C-Mount (Focus Adjustable)



A51.2602-1018
WF10x/18mm



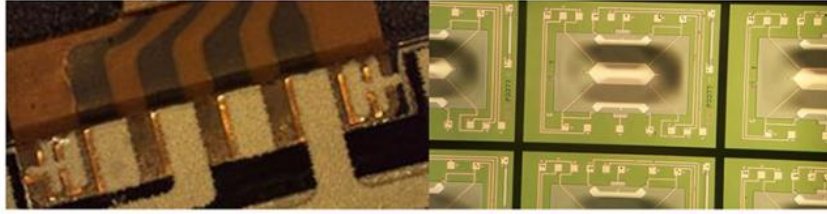
A5P.2603-BS
Analyzer + Polarizer



A54.2610-N03
Quadruple, Backward



A5M.2633
Metallurgical LWD Infinity Plan Objectives



Opto-Edu (Beijing) Co., Ltd.

☎ 0086 13911110627

✉ sale@optoedu.com

🌐 cnoec.com

F-1501 Wanda Plaza, No. 18 Shijingshan Road, Beijing 100043, China