



OPTO-EDU A13.2604-A Metallurgical Microscope, Reflect Light

Basic Information

- Place of Origin: China
- Brand Name: CNOEC, OPTO-EDU
- Certification: CE,
- Model Number: A13.2604-A
- Minimum Order Quantity: 1 pc
- Price: FOB \$1~1000, Depend on Order Quantity
- Packaging Details: Carton Packing, For Export Transportation
- Delivery Time: 5~20 Days
- Payment Terms: T/T, West Union, Paypal
- Supply Ability: 5000 pcs/ Month



Product Specification

- Highlight: **digital trinocular microscope, infinity plan microscope**



Product Description

Best Reflect Light Metallurgical Microscope, 5W LED Halogen Koehler Illumination
 2021 Upgrade To Semi-APO Metallurgical LWD Infinity Plan Objective 5x,10x,20x,50x,80x,100x
 2021 Upgrade To BF/DF Model With Metallurgical LWD BD Objectives 5x10x20x50x
 Large Size Trinocular Head Eyepiece Tube Dia.30mm With Light Split Switch E100:P0/E20:P80
 Mechanical Stage 200x150mm/77x52mm With Quick Drop-Down For Extra 50mm Up/Down

Our Product Introduction

for more products please visit us on cnoec.com

Items	A13.2604 Series Metallurgical Microscope, Reflect/Transmit, BF/DF	-A	-AD	-B	-BD	Cata. No.
Head	Seidentopf Trinocular Head Inclined 30°, Rotatable 360°, Interpupillary Distance 48-76mm, Light Split Switch E100:P0/E20:P80, Eyepiece Tube Dia.30mm	●	●	●	●	A53.2623-T
Eyepiece	WF10x/22mm, Dia.30mm, High Eyepoint, Diopter Adjustable	●	●	●	●	A51.2621-1022
	WF10x/22mm, Dia.30mm, High Eyepoint, Diopter Adjustable, With Micrometer X-0.1mm*180 Div / Y-Single Line	●	●	●	●	A51.2622-1022
Nosepiece	Quintuple, Backward	●	●	●	●	A54.2610-N01
	Quadruple, Backward, Special Design For BF/DF Observe	●	●	●	●	A54.2610-N924
Metallurgical LWD Infinity Plan Semi-APO Objectives	LMPLan FL 5x/0.15, W.D.=21.0mm	●	●	●	●	A5M.2635-5
	LMPLan FL 10x/0.3, W.D.=20.0mm	●	●	●	●	A5M.263510
	LMPLan FL 20x/0.40 W.D.=15.0mm	●	●	●	●	A5M.2635-20
	LMPLan FL 50x/0.55 W.D.=10.0mm	●	●	●	●	A5M.2635-50
	LMPLan FL 50x/0.75 W.D.=4.25mm	○	○	○	○	A5M.2635-50a
	LPL80x/0.80(S) W.D.=0.85mm	○	○	○	○	A5M.2633-80
Metallurgical LWD Infinity Plan BF/DF Objectives	LMPLan FL 100x/0.90(S,Dry) W.D.=3.00mm	○	○	○	○	A5M.2635-100
	M PLAN BD5x/0.13, W.D.=16.04mm	●	●	●	●	A5M.2634-5
	M PLAN BD10x/0.25 W.D.=18.48mm	●	●	●	●	A5M.263410
	M PLAN BD20x/0.40 W.D.=8.35mm	●	●	●	●	A5M.2634-20
Working Stage	M PLAN BD50x/0.70(S) W.D.=1.95mm	●	●	●	●	A5M.2634-50
	Double Layer Mechanical Size 200x150mm, Travel Range 77x52mm, Stage Quick Drop-Down Device For Extra 50mm Up/Down Range	●	●	●	●	A54.2601-S01T
Working Stage	Double Layer Mechanical Size 182x140mm, Travel Range 77x52mm	●	●	●	●	A54.2601-S01T3
	Condenser	Abbe N.A.1.25, With Iris Diaphragm	●	●	●	●
Focusing	Coaxial Coarse And Fine Focusing Knobs, Travel Range: 25mm, Scale: 2μm	●	●	●	●	
Illumination	Reflect Light 5W LED Koehler Illumination, Field Diaphragm Powered By Safety Low Voltage Charger, Input Wide Voltage 100V-240V, Output 5V1A, Support Power Bank Supply For Outdoor Use	●	●	●	●	A56.2612-5W
	Reflect Light 12V50W Halogen Koehler Illumination, Field Diaphragm, Wide Voltage 100V~240V	○	●	○	●	A56.2613-12V50W
	Transmit Light 5W LED Koehler Illumination, Field Diaphragm Powered By Safety Low Voltage Charger, Input Wide Voltage 100V-240V, Output 5V1A, Support Power Bank Supply For Outdoor Use	-	-	●	●	A56.2612-5W
	Transmit Light 6V30W Halogen Koehler Illumination, Field Diaphragm, Wide Voltage 100V~240V	-	-	○	○	A56.26513-6V30W
Polarizing	Analyzer + Polarizer For Reflect Light	●	●	●	●	A5P.2603-BKR
	Analyzer + Polarizer For Transmit Light	-	-	●	●	A5P.2603-BKT
Filter	Ground Glass Slider	●	●	●	●	A56.2620-F
	Blue Filter Switch Handle	●	●	●	●	A56.2620-B
Adapter	C-Mount 0.5x, Focus Adjustable	○	○	○	○	A55.2601-05
	C-Mount 0.75x, Focus Adjustable	○	○	○	○	A55.2601-75
	C-Mount 1.0x, Focus Adjustable	○	○	○	○	A55.2601-10
	Digital Eyepiece Camera Adapter, Dia. 23.2mm/25mm	○	○	○	○	A55.2610
Package	Carton Size 570*275*450mm, 1 Unit/Ctn					
Weight	Gross Weight 10.5kgs, Net Weight 8.0kgs					
Note: "●" In Table Is Standard outfits, "○" Is Optional Accessories.						



OPTO-EDU (BEIJING) CO., LTD.

F-1501 Wanda Plaza, No.18 Shijingshan Road, Beijing 100043, China
 Tel:+8610 88696020 Fax:+8610 88696085

A13.2604

Metallurgical Microscope, Reflect/Transmit,
BF/DF



A13.2604 Series Metallurgical Microscope

A13.2604-A Reflect



A13.2604-AD Reflect, BF/DF

Working Stage
Double Layer Mechanical Size 200 × 150mm,
Travel Range 77x52mm, Stage Quick Drop-Down
Device For Extra 50mm Up/Down Range



A13.2604-B Reflect & Transmit



A13.2604-BD Reflect & Transmit, BF/DF

Working Stage
Double Layer Mechanical Size 182×140mm,
Travel Range 77×52mm

Condenser
Abbe N.A.1.25 , With Iris Diaphragm

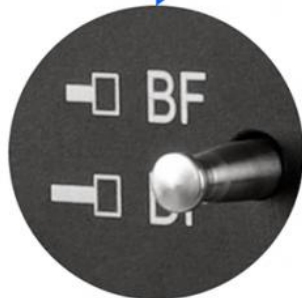
Transmit Light
5W LED, Koehler Illumination, Field Diaphragm
Analyzer + Polarizer For Transmit Light



A13.2604 Upgrade To BF/DF in 2021!

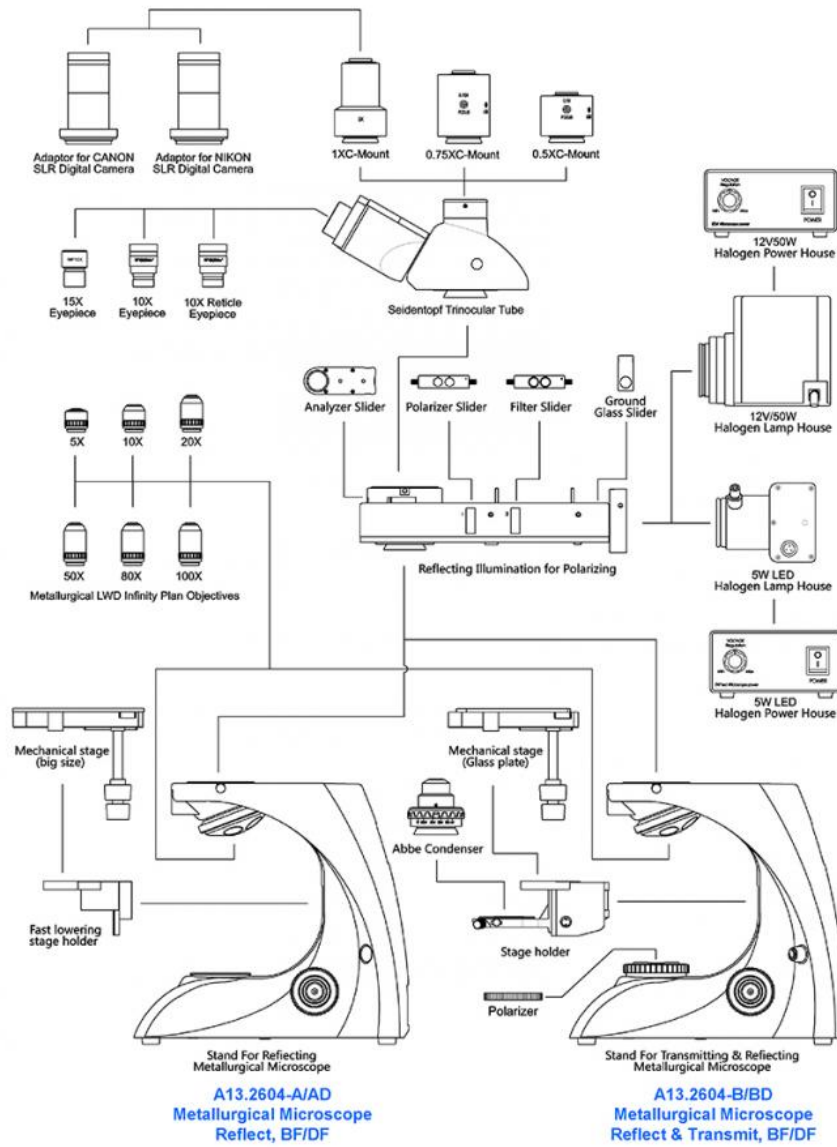


**A13.2604-AD
A13.2604-BD**



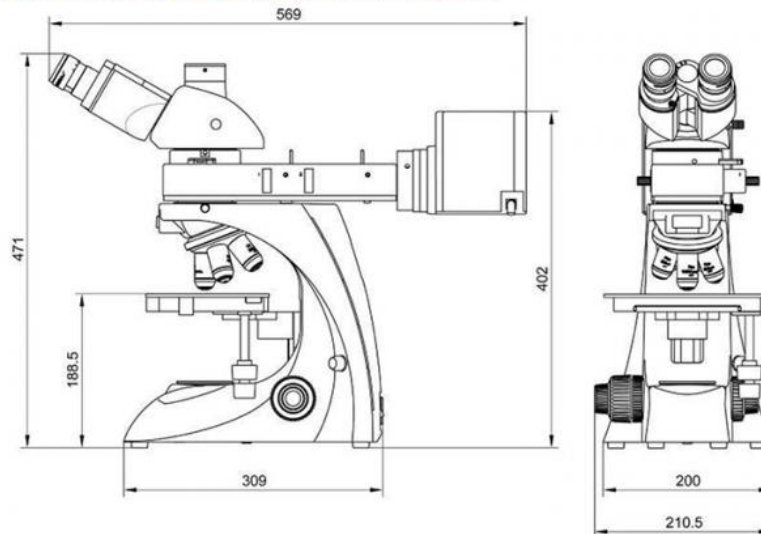
Now you can watch the material under Bright Field & Dark Field way in one microscope!

General Layout Diagram

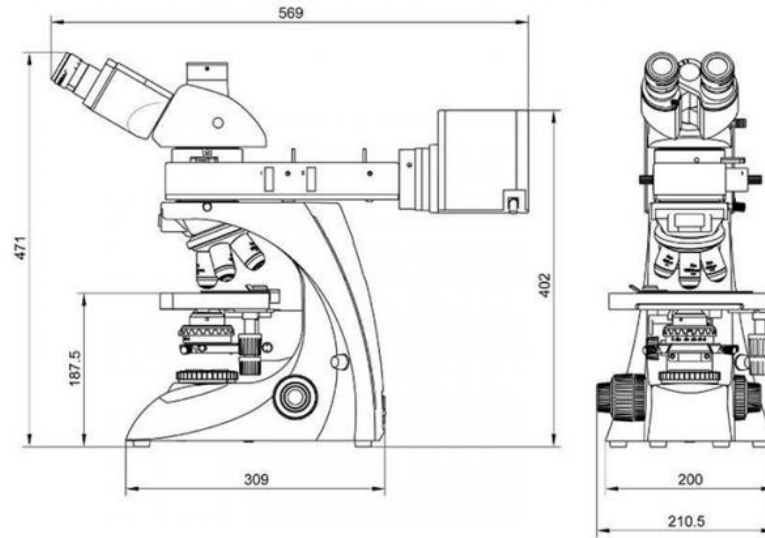


Product Size(mm)

A13.2604-A/AD Metallurgical Microscope Reflect, BF/DF



A13.2604-B/BD Metallurgical Microscope Reflect & Transmit, BF/DF



Opto-Edu (Beijing) Co., Ltd.

☎ 0086 13911110627

✉ sale@optoedu.com

🌐 cnoec.com

F-1501 Wanda Plaza, No. 18 Shijingshan Road, Beijing 100043, China