



Monocular Student Biological Microscope A11.0201 For Lab Research

Our Product Introduction

Basic Information

- Place of Origin: China
- Brand Name: CNOEC
- Certification: CE
- Model Number: A11.0201
- Minimum Order Quantity: 10
- Price: Negotiation
- Packaging Details: Carton
- Delivery Time: 1-10days
- Payment Terms: T/T, West Union, Paypal
- Supply Ability: 1-10000



Product Specification

- Applications: Student
- Certification: CE
- Drawtube: Monocular
- Product Name: Microscope
- Theory: Biological Microscope
- Highlight: **binocular biological microscope, biological compound microscope**



for more products please visit us on cnoec.com

Product Description

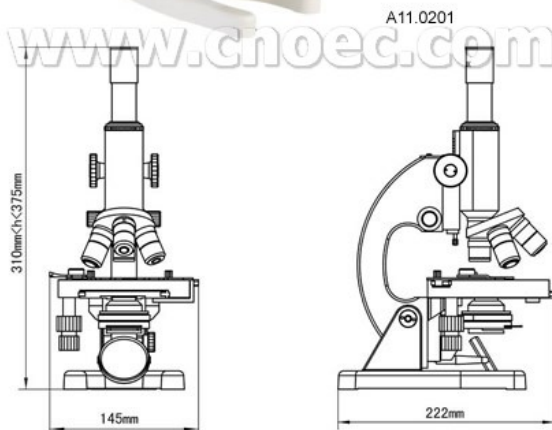
Monocular Student Biological Microscope A11.0201 For Lab Research


A11.0201 biological microscope is equipped with Huygens eyepieces and achromatic objectives, use monocular observe. It has clear image and wide visual field. It can be broadly applied in biology medicine, agriculture etc. It is the ideal instrument for treatment, teaching and scientific research.

Features

- With Huygens eyepieces and achromatic objectives, the visual field of view is clear
- Separate coarse/fine system focus, Minimum division of fine focusing: 3 μ m.

A11.0201 Specification		
Eyepiece	Huygens 10X(Φ 18mm)	
	Huygens 15X(Φ 11mm)	
Objective	Achromatic 4X/0.10	
	Achromatic 10X/0.25	
	Achromatic 40X/0.65(Spring)	
	Achromatic 100X/1.25(Spring, oil)	
Head	Monocular observe, Straight and single eyepiece	
Focus System	Separate coarse/fine system focus, Minimum division of fine focusing: 3 μ m.	
Nosepiece	Quadruple(Frontward ball bearing outer locating)	
Stage	Double layer mechanical (Size:125mmX115mm, Move range: 70mmX30mm)	
Abbe Condenser	N.A.1.25 Rack & pinion adjustable	
Filter	Blue filter	
	Frosted filter	
Light source	Plane-concave reflecting mirror	
Optional Accessories		
Eyepiece	Huygens 5x/18mm	A51.0201-5
	Huygens 6x/16mm	A51.0201-6
Filter	Green filter	A56.0209-2
	Yellow filter	A56.0209-3



 0086 13911110627  sale@optoedu.com  cnoec.com

F-1501 Wanda Plaza, No. 18 Shijingshan Road, Beijing 100043, China