



Trinocular Inverted Phase Contrast Microscope Inverted Optical Microscope CE A14.0201

Our Product Introduction

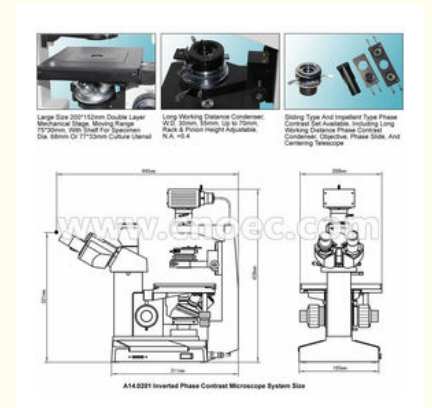
Basic Information

- Place of Origin: China
- Brand Name: CNOEC, OPTO-EDU
- Certification: CE, Rohs
- Model Number: A14.0201
- Minimum Order Quantity: 1 pc
- Price: FOB \$1~1000, Depend on Order Quantity
- Packaging Details: Carton Packing, For Export Transportation
- Delivery Time: 5~20 Days
- Payment Terms: T/T, West Union, Paypal
- Supply Ability: 5000 pcs/ Month

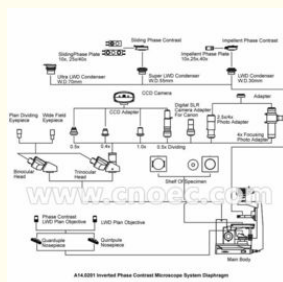


Product Specification

- Applications: Laboratory|Research
- Certification: CE|Rohs
- Drawtube: Trinocular
- Illumination: Halogen Lamp
- Product Name: Inverted Optical Microscope
- Theory: Inverted Microscope
- Highlight: **inverted fluorescence microscope, inverted light microscope**



More Images



for more products please visit us on cnoec.com

Product Description

Trinocular Inverted Phase Contrast Microscope Inverted Optical Microscope CE A14.0201

A14.0201 Inverted Phase Contrast Microscope

is equipped with wide field eyepieces, long working distance plan achromatic objectives, long working distance condenser and phase contrast unit. It can observe transparent and unfinished living specimen in culture bottle or culture utensil. It is the ideal tools for research of living specimen structure, liquid, deposits and so on.

- Wide Field Eyepiece WF10x/20mm
- Impellent Phase Contrast Included,
- Sliding Phase Contrast Unit Optional
- Coaxial Coarse/Fine Focus System, Minimum Division 0.002mm
- Halogen Lamp 6V 20W With Brightness Control

A14.0201 Inverted Phase Contrast Microscope		
Magnification	Total 100~400x	
Head	Trinocular Head, 30° Inclined, 100 Ligh Pass For Photography	
Eyepiece	WF10x/20mm Wide Field	
Nosepiece	Quadruple	
Objective	LWD Plan Achromatic Objective	
	PLL10x/0.25, W.D.8.8mm PLL 25x/0.40, W.D.4.8mm PLL 40x/0.60, W.D.3.3mm	
Objective	LWD Plan Phase Contrast Objective	
	PLL10x/0.25 PHP, W.D.8.1mm	
Working Stage	Double Layer Mechanical Stage 200*152mm, Moving Range 75*30mm	
	Culture Dish Holder, For Dia.68mm Or 77*33mm Culture Utensil Culture Dish Holder, For Dia.68mm	
Focusing	Coaxial Coarse & Fine Focus Knob, With Tension Adjustable And Limit Stopper, Minimum Division 0.002mm	
Impellent Phase Contrast	Long Working Distance Phase Contrast Condener, N.A.0.4, Working Distance 30mm, Rack & Pinion Adjustable	
	Impellent Style Phase Plate 10x Centering Telescope Eyepiece 10x	
Filter	Blue, Green, Frost Filter	
Light Source	Kohler Illumination, 6V20W Halogen Lamp, Brightness Adjustable	
Optional Accessories		
Eyepiece	WF16x/11mm	A51.0203-16A
	Dividing Eyepiece 10x/20mm, 0.1mm/Div	A51.0205-G10A
ImpellentPhase Contrast	LWD Plan Phase Contrast Objective	PLL 25x/0.40 PHP, W.D.4.78mm PLL 40x/0.60 PHP, W.D.3.32mm
	Ultra Long Working Distance Phase Contrast Condener, N.A.0.4, Working Distance 70mm	A5C.0232-25 A5C.0232-40
	Impellent Phase Contrast Plate 25x	A5M.0210-6
	Impellent Phase Contrast Plate 40x	A5C.0211-2 A5C.0211-3
Sliding Phase Contrast	LWD Plan Phase Contrast Objective	PLL10x/0.25 PHP2, W.D.8.1mm PLL25x/0.40 PHP2, W.D.4.78mm PLL40x/0.60 PHP2, W.D.3.32mm
	Long Working Distance Phase Contrast Condener, N.A.0.4, Working Distance 55mm	A5C.0232-10a A5C.0232-25a A5C.0232-40a
	Sliding Phase Contrast Plate 10x	A5M.0210-7
	Sliding Phase Contrast Plate 25x/40x	A5C.0211-4 A5C.0211-5
	Filter	Yellow Filter
Adapter	CCD Adapter 0.5x	A55.0202-04
	Digital SLR Camera Adapter for Canon EF Series	A55.0204-02



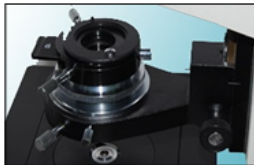


www.cnoec.com

A14.0201 Inverted Phase Contrast Microscope



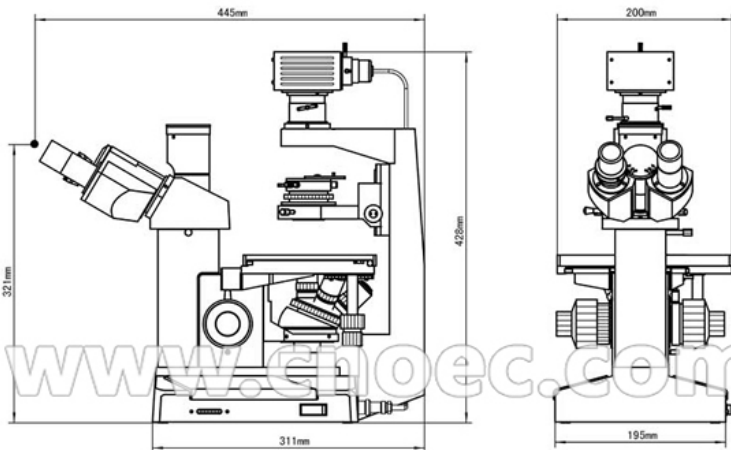
Large Size 200*152mm Double Layer Mechanical Stage, Moving Range 75*30mm, With Shelf For Specimen Dia. 68mm Or 77*33mm Culture Utensil



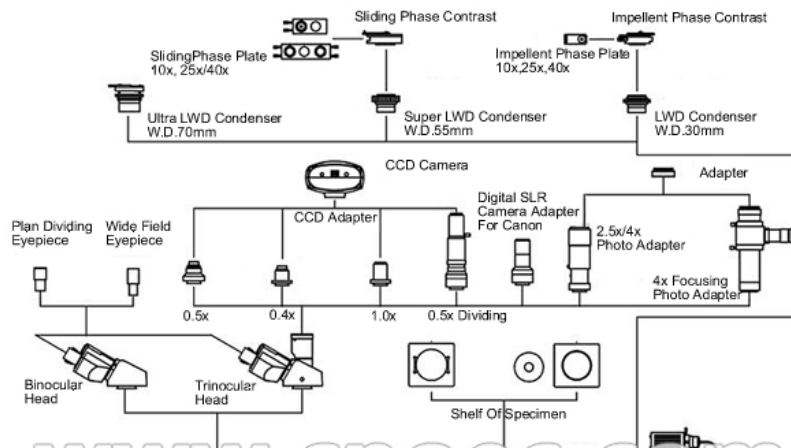
Long Working Distance Condenser, W.D. 30mm, 55mm, Up to 70mm, Rack & Pinion Height Adjustable, N.A. =0.4

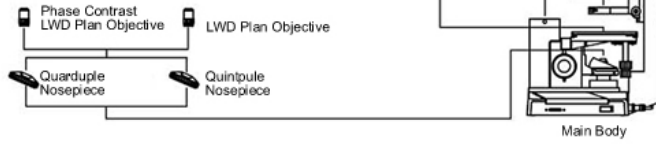


Sliding Type And Impellent Type Phase Contrast Set Available, Including Long Working Distance Phase Contrast Condenser, Objective, Phase Slide, And Centering Telescope



A14.0201 Inverted Phase Contrast Microscope System Size





A14.0201 Inverted Phase Contrast Microscope System Diaphragm



Opto-Edu (Beijing) Co., Ltd.



0086 13911110627



sale@optoedu.com



cnoec.com

F-1501 Wanda Plaza, No. 18 Shijingshan Road, Beijing 100043, China