



## 40X - 1000X Fluorescence Microscope Trinocular Compound Microscopes A16.0204

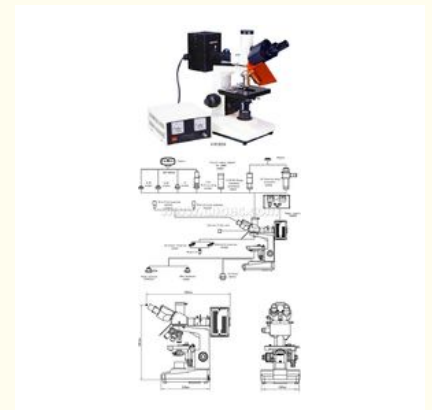
### Basic Information

- Place of Origin: China
- Brand Name: CNOEC, OPTO-EDU
- Certification: CE, Rohs
- Model Number: A16.0204
- Minimum Order Quantity: 1 pc
- Price: Negotiation
- Packaging Details: Carton Packing, For Export Transportation
- Delivery Time: 5~20 Days
- Payment Terms: T/T, West Union, Paypal
- Supply Ability: 5000 pcs/ Month



### Product Specification

- Application: Research
- Certification: CE
- Drawtube: Trinocular
- Illumination: Halogen Lamp
- Theory: Fluorescence Microscope
- Highlight: **epi-fluorescence microscope,**  
**inverted fluorescence microscope**



## Product Description

### 40X - 1000X Fluorescence Microscope Trinocular Compound Microscopes A16.0204

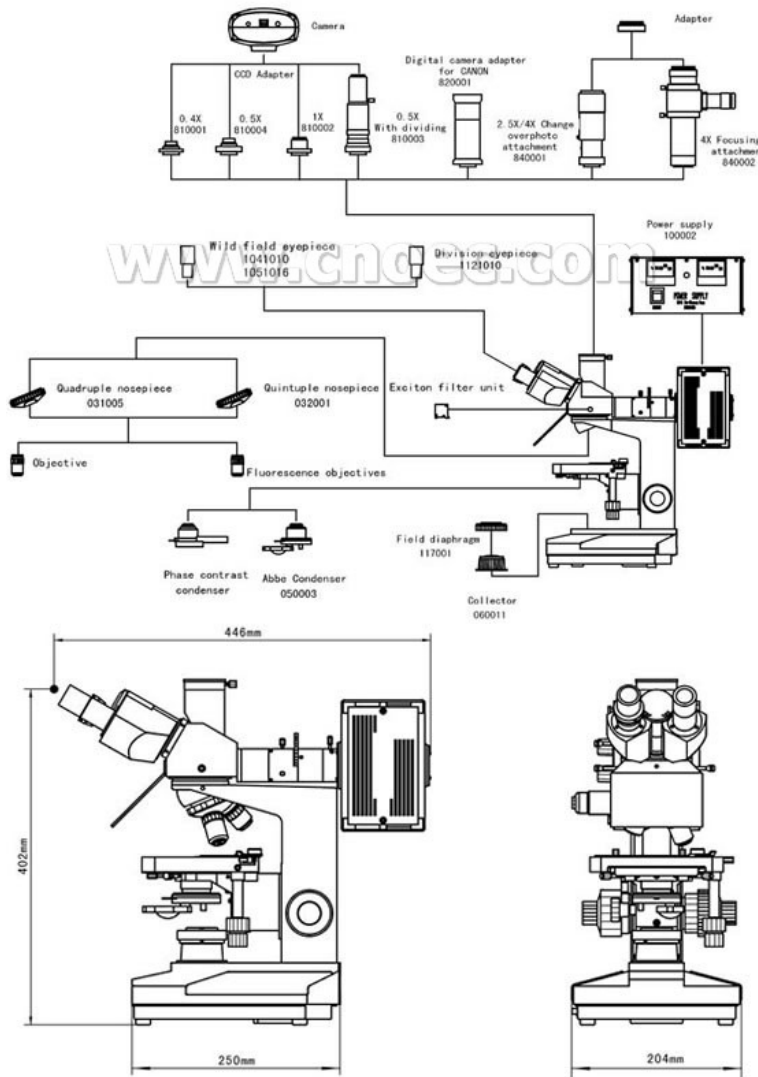
A16.0204 Reflected fluorescence microscope model is used for fluorescence microscopy and transmitted bright field microscopy observation. It is the ideal instrument in sediment in sedimentary rock, inspection of impurity of semiconductor, environmental protection and microchemistry etc. It is the ideal instrument in biology, cytology, oncology, genetics, immunology etc. It also can be used in scientific research, universities, medical treatment, epidemic prevention etc.

Specification	A16.0204 Reflected Fluorescence Microscope
Eyepiece	Wide field WF10X (Φ18mm)
Objective	Achromatic 4X/0.10
	Achromatic 10X/0.25
	Achromatic 100X/1.25(Spring, oil)
	Fluorescence 25X/0.65
Eyepiece Tube	Trinocular (Inclination of 30°)
Focus System	Coaxial coarse/fine focus system, with tensional adjustable and up stop, minimum division of fine focusing: 2μm
Nosepiece	Quadruple(Backward ball bearing inner locating)
Stage	Double layer mechanical (Size:135mmX125mm, Move range: 75mmX35mm)
Abbe Condenser	N.A.1.25 Rack & pinion adjustable
Filter	Frosted filter
	Blue filter
Collector	For halogen lamp
Light Source	6V 20W halogen lamp, adjustable brightness
Reflected Fluorescence System	Mercury lamp house 100W/DC
	Power supply unit:AV:110V or 220V
	Fluorescence filter system B exciton wavelength:420~485nm
	Fluorescence filter system G exciton wavelength:460~550nm

Optional Accessories	Item No.	
Eyepiece	Wide field eyepiece WF16x/11mm	A51.0203-16A
	Dividing 10x/20mm, 0.1mm/Div	A51.0205-G10
Objectives	Fluorescence objectives FL 40X/1.00 (Spring, Glycerin)	A5F.0205-40
	Fluorescence objectives FL 100X/1.25 (Spring, Glycerin)	A5F.0205-100
Nosepiece	Quintuple (Backward ball bearing inner locating)	A54.0203-1
Filter	Green filter	A56.0209-2
	Yellow filter	A56.0209-3
Fluorescence	100W fluorescence power supply(wide voltage and constant power and calculagraph)	A5F.0204-3
Reflected Fluorescence	Fluorescence filter system UV exciton wavelength:330~400nm	A5F.0201-UV
	Fluorescence filter system V exciton wavelength:395~415nm	A5F.0201-U
Phase Contrast Unit	Eyepiece: centering telescope	A5C.0204-1
	Phase contrast plan achromatic objective 10X/0.25 PHPI)	A5C.0211-10
	Phase contrast plan achromatic objective 20X/0.40 PHP	A5C.0211-20
	Phase contrast plan achromatic objective 40X/0.65 PHP(Spring)	A5C.0211-40
	Phase contrast plan achromatic objective 100X/1.25 PHP(Spring, oil)	A5C.0211-100
	(PH-I) Turnplate phase contrast condenser	A5C.0202-1
	(PH-II) Turnplate phase contrast condenser	A5C.0202-4
	Flashboard phase contrast condenser	A5C.0202-2
	Pull board phase contrast condenser	A5C.0202-3
CCD Adapter	0.4X	A55.0202-01
	0.5X	A55.0202-04
	1X	A55.0202-02
	0.5X with dividing 0.1mm/Div	A55.0202-03
DC Adapter	Digital camera adapter CANON (A610,A620,A630,A640)	A55.0204-01
Photo Adapter	2.5X/4X Change over photograph adapter with 10X viewing eyepiece	A55.0201-1
	4X Focusing photograph adapter	A55.0201-2
	MD Adapter	A55.0201-3
	PK Adapter	A55.0201-4



A16.0202



Opto-Edu (Beijing) Co., Ltd.

☎ 0086 13911110627

✉ sale@optoedu.com

🌐 cnoec.com

F-1501 Wanda Plaza, No. 18 Shijingshan Road, Beijing 100043, China