



Portable Achromatic Binocular Compound Microscope A11.0202 For Lab

Basic Information

- Place of Origin: China
- Brand Name: CNOEC, OPTO-EDU
- Certification: CE, Rohs
- Model Number: A11.0202
- Minimum Order Quantity: 1 pc
- Price: Negotiation
- Packaging Details: Carton Packing, For Export Transportation
- Delivery Time: 5~20 Days
- Payment Terms: T/T, West Union, Paypal
- Supply Ability: 5000 pcs/ Month



Product Specification

- Certification: CE
- Drawtube: Monocular
- Illumination: LED
- Product Name: Microscope
- Theory: Biological Microscope
- Highlight: **high powered microscope, binocular biological microscope**



Product Description

Portable Achromatic Binocular Compound Microscope A11.0202 For Lab

A11.0202 biological microscopes are equipped with monocular, achromatic objectives and wide field eyepieces. They provide clear image, wide field, convenience operation. They can be used for medicine agriculture area widely. They are the ideal instruments in medical treatment, teaching demonstration.

Features

- With wide field eyepieces and achromatic objectives, the field of view is widely and clear
- Separate coarse/fine system focus or coaxial coarse/fine focus system can be chosen, minimum division of fine focusing: 4μm
- ▲ 220V/110V 20W incandescent lamp transmission illumination.

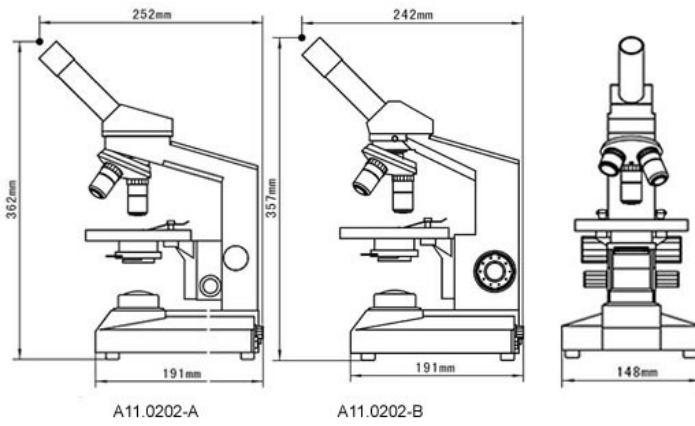
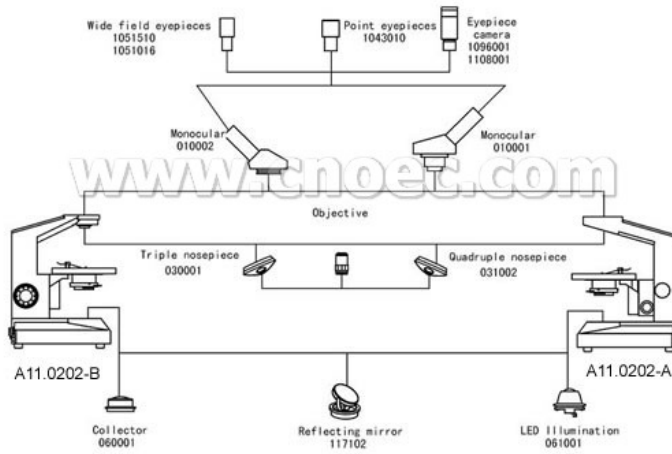
Model	A11.0202-A	A11.0202-B
Eyepiece	Wide field WF10X(Φ18mm)	
Objective	Achromatic 4X/0.10	
	Achromatic 10X/0.25	
	Achromatic 40X/0.65(Spring)	
Head	Monocular, 360° rotatable, 45° Inclined	
Focus System	Separate coarse/fine focusing, Minimum division of fine focusing 0.004mm	Coaxial coarse/fine focusing, Minimum division of fine focusing 0.004mm
	Triple (Frontward ball bearing outer locating)	
Stage	Fixed, size:120mmX120mm, with single lens and iris diaphragm	
Filter	Blue filter	
	Frosted filter	
Collector	For incandescent lamp	
Light Source	220V/110V 20W, Incandescent lamp	

Optional Accessories	Item No.	
Eyepiece	Wide field WF16X(Φ11mm)	A51.0203-16A
	Point 10X(Φ18mm)	A51.0204
Objective	Achromatic 100X/1.25(Spring, oil)	A52.0201
Nosepiece	Quadruple(Frontward ball bearing outer locating)	A54.0202
Filter	Green filter	A56.0209-3
	Yellow filter	A56.0209-4
Light source	Fluorescent lamp, 5W, 110V/220V	A56.0202-1
	LED Illumination, High brightness white	A56.0204-1
	Transformer for LED Input: 230V~50/60HZ, Output: 9V, 500mA	A56.0205-1
	Transformer for LED Input: 110V~50/60HZ, Output: 9V, 500mA	A56.0205-2
	Reflecting mirror, Plane-concave reflecting mirror with stand	A56.0206-1



A11.0202-A

A11.0202-B



A11.0202-A

A11.0202-B



Opto-Edu (Beijing) Co., Ltd.

☎ 0086 13911110627 ✉ sale@optoedu.com 🌐 cnoec.com

F-1501 Wanda Plaza, No. 18 Shijingshan Road, Beijing 100043, China